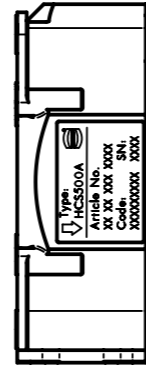
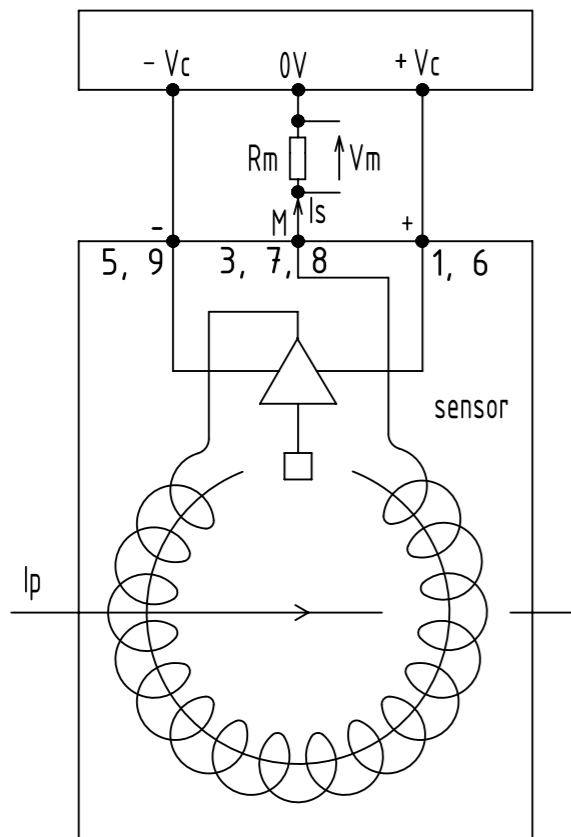
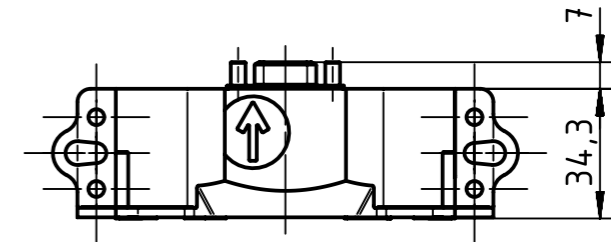
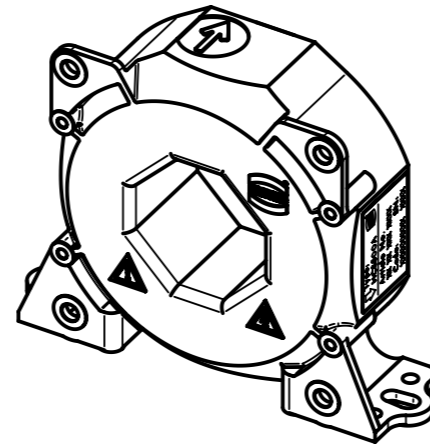
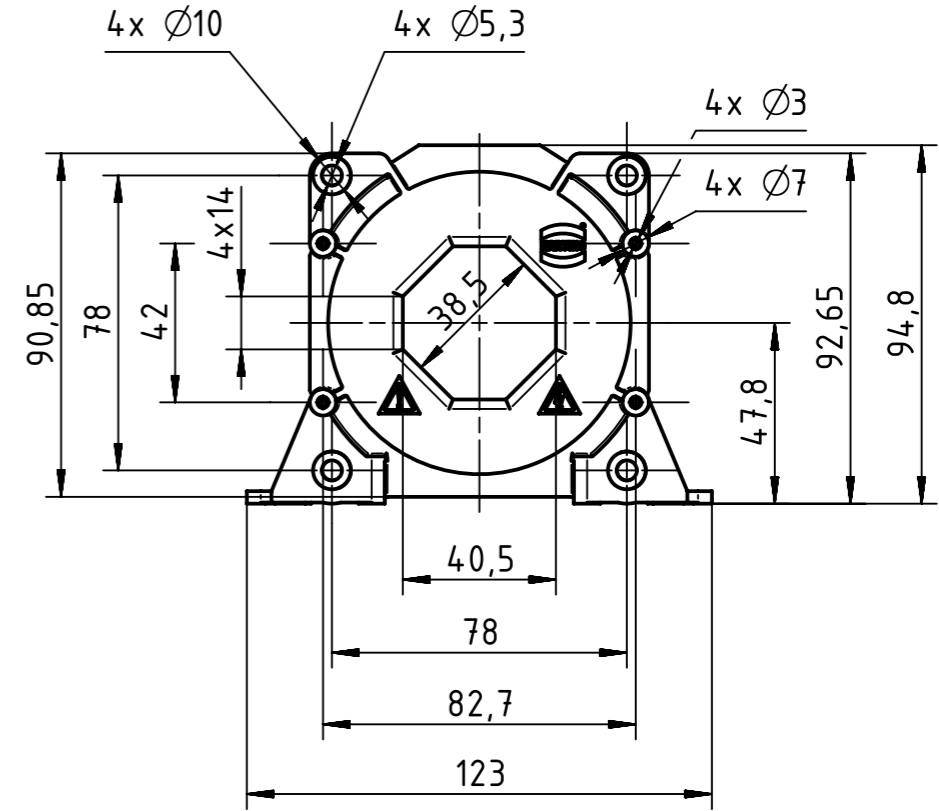


Hall-element position



D-Sub connector



| | | | | | | | |
|---|--|---|--------------------------|---------------------|-----------------------------|--------------------|------------------------|
| | All rights reserved Department EL PD - DE | All Dimensions in mm Original Size DIN A3 | | | Scale 1:2 | Free size tol. | Ref. Sub. |
| | | HARTING Electric GmbH & Co. KG D-32339 Espelkamp | Created by SPREENB | Inspected by LUP | Standardisation TIEMANNA | Date 2013-12-18 | State Final Release |
| Title Current sensor HCS 500A with D-SUB | | Type TB | Number 20 31 050 0103 | Rev. A | Page 1/1 | | |