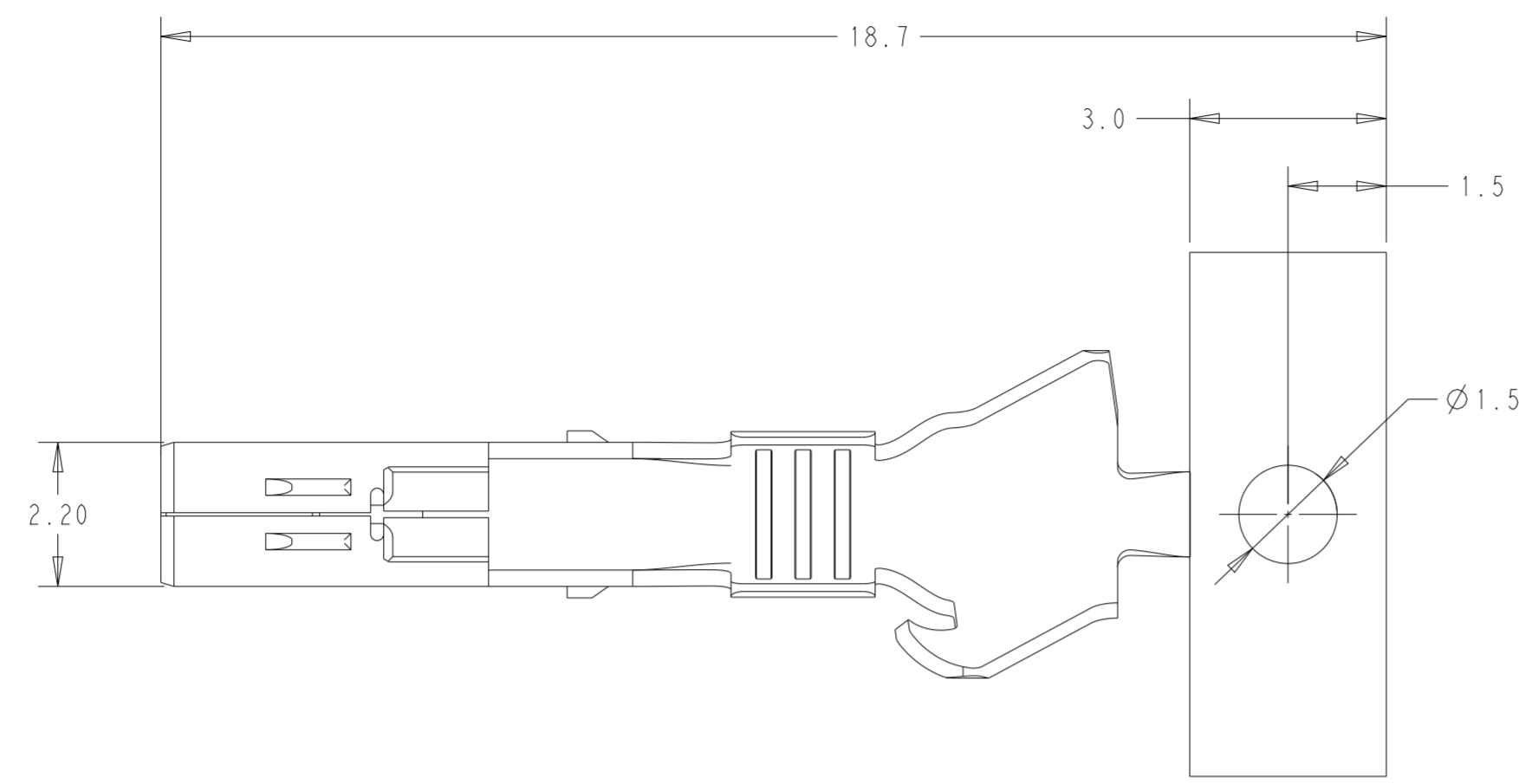
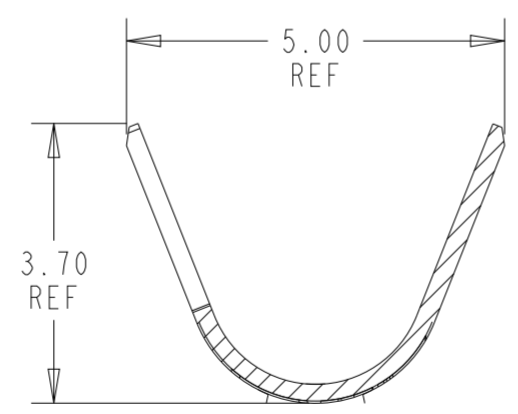
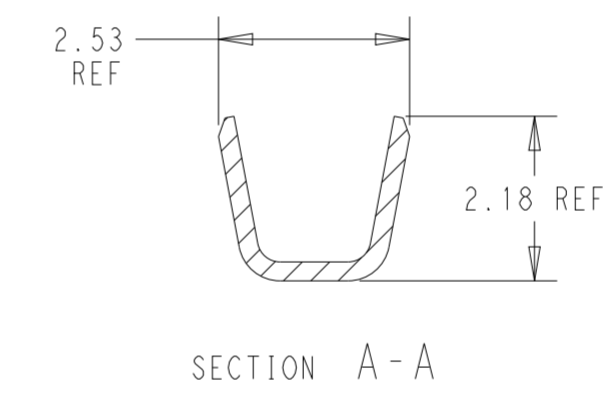
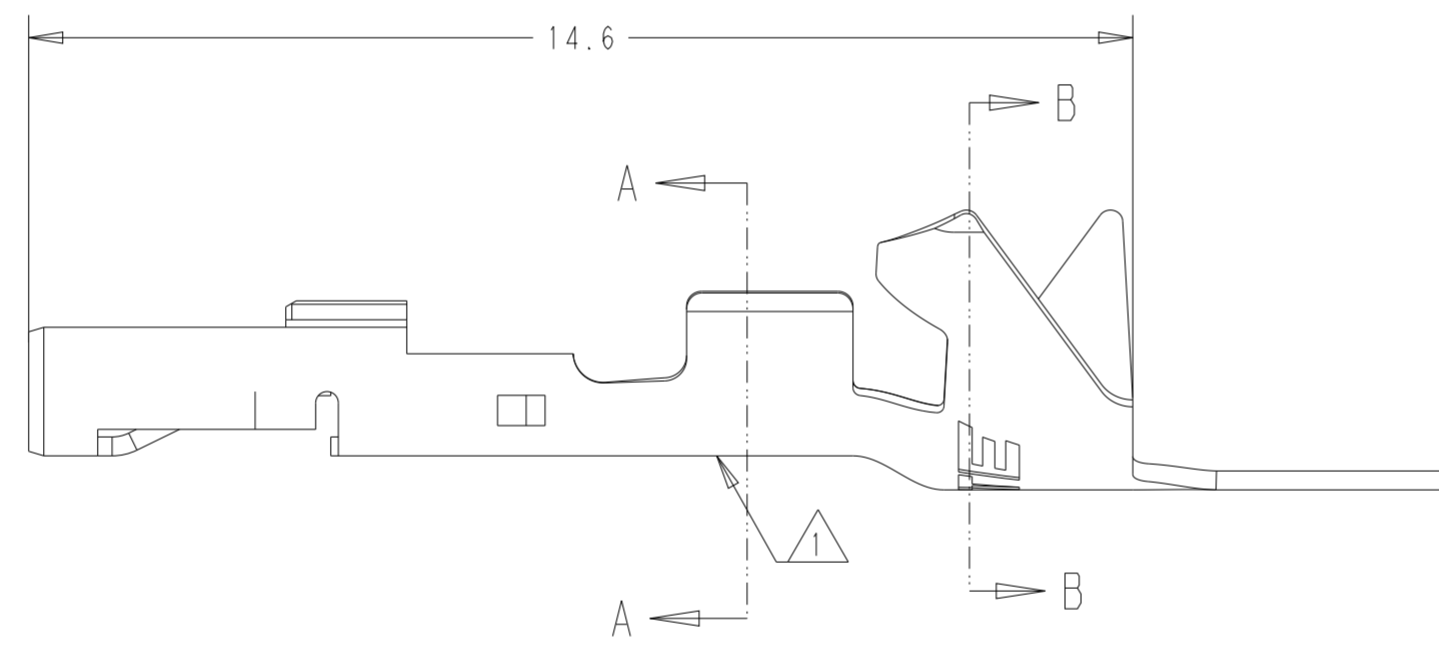
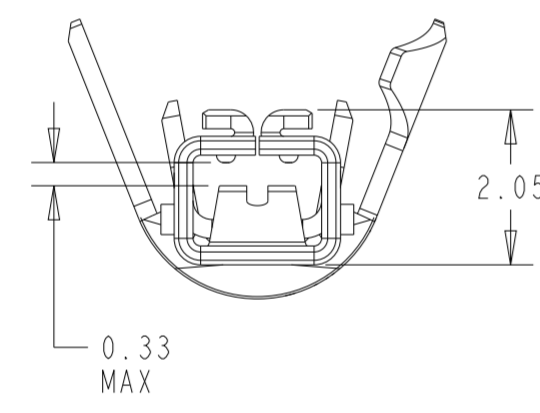


THIS DRAWING IS UNPUBLISHED. RELEASED FOR PUBLICATION  
 © COPYRIGHT copyright.dBTe ALL RIGHTS RESERVED.

REVISIONS				
P	LTR	DESCRIPTION	DATE	APVD
A		RELEASED PER ECO-19-013549	04SEP2019	BKW GJ
A1		REVISED PER ECR-20-100211	06AUG2020	JP VS
A2		REVISED PER ECR-21-107670	20JUL2021	SS VS



- 1 MATERIAL MARK
- 2. WIRE RANGE: 18-20 AWG COPPER STRANDED.
- 3. INSULATION RANGE: 1.7~2.8mm
- 4. SUPPLIED CONTINUOUS ON REELS.
- 5 PRELIMINARY - NOT FOR PRODUCTION



M0	HIGH CONDUCTIVE COPPER ALLOY	HIGH TEMP (140°C)	5 2329914-2
M2	COPPER ALLOY	STANDARD TEMP (105°C)	2329914-1
MATERIAL MARK/1 MATERIAL		TEMPERATURE RATING	PART NUMBER

THIS DRAWING IS A CONTROLLED DOCUMENT.

DIMENSIONS: mm	TOLERANCES UNLESS OTHERWISE SPECIFIED:	DWN: 27MAR2018 CHK: 27MAR2018 APVD: 27MAR2018	TE Connectivity NAME: POWER VERSA-LOCK REC TERMINAL WIRE SEAL 18-20 AWG
	0 PLC ± 1 PLC ±0.40 2 PLC ±0.30 3 PLC ± 4 PLC ± ANGLES ± FINISH ±	PRODUCT SPEC: 108-143081 APPLICATION SPEC: 114-143082	
MATERIAL: SEE TABLE	PRE-PLATED Sn	WEIGHT: -	SIZE: A2 CAGE CODE: - DRAWING NO: C-2329914 RESTRICTED TO: - SCALE: 5:1 SHEET 1 OF 1 REV A2