

THIS DRAWING IS UNPUBLISHED.

RELEASED FOR PUBLICATION

,19

© COPYRIGHT 19

BY AMP INCORPORATED. ALL RIGHTS RESERVED.

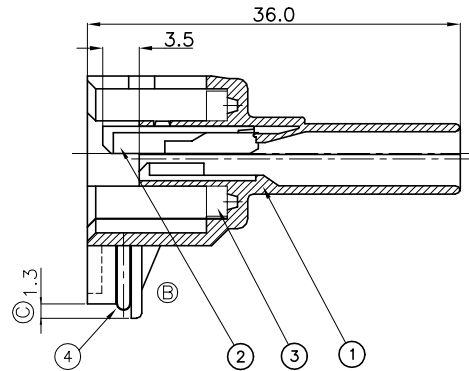
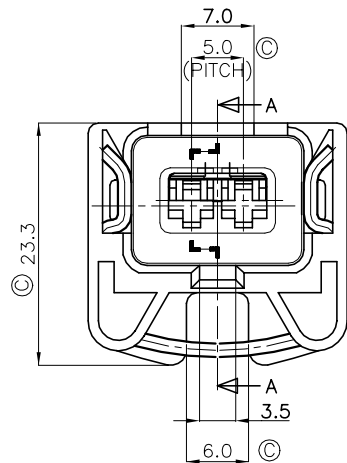
LOC DS

2

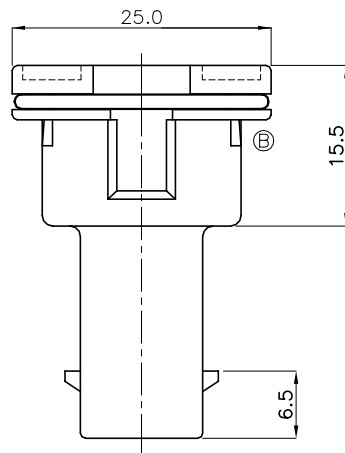
1

REVISIONS

P	LTR	DESCRIPTION	DATE	DWN	APVD
A		REVISED (FC00-0026-00)	20/MAR '00	YD	CS
B		REVISED (FC00-0138-02)	22/NOV '02	YD	CS
C		REVISED (FC00-0017-03)	4/FEB '03	YD	CS
C1		REVISED (ECR-20-004925)	2/APR '20	SY	YJ



SECTION A-A



P/NO	DESCRIPTION
1-368354-2	JPT 2P ASS'Y FOR CLIP
368354-4	JPT 2P ASS'Y FOR CLIP
368354-3	JPT 2P ASS'Y FOR CLIP
368354-2	JPT 2P ASS'Y FOR CLIP
368354-1	JPT 2P ASS'Y FOR CLIP

* NOTES *

1. APPLICABLE CONTACT P/NO: 927770 / 927766
2. APPLICABLE WIRE SEAL P/NO: 828904 / 828905 / 368064

NO	P/NO	DESCRIPTION	MATERIAL	COLOR	Q'TY
4	85387-1	SPRING	SUS 304		1
3	1-85383-8	SEAL RUBBER	SILICONE	BLUE	1
3	85383-1	SEAL RUBBER	SILICONE	ORANGE	1
2	85204-1	SPACER	PBT	YELLOW	1
1	368355-4	JPT 2P HSG FOR CLIP	PBT 30% GF	BROWN	1
1	368355-3	JPT 2P HSG FOR CLIP	PBT 30% GF	GREEN	1
1	368355-2	JPT 2P HSG FOR CLIP	PBT 30% GF	BLUE	1
1	368355-1	JPT 2P HSG FOR CLIP	PBT 30% GF	BLACK	1

<small>THIS DRAWING IS A CONTROLLED DOCUMENT FOR AMP INCORPORATED. IT IS SUBJECT TO CHANGE AND THE CONTROLLING ENGINEERING ORGANIZATION SHOULD BE CONTACTED FOR THE LATEST REVISION.</small>		DWN	TE Connectivity		
DIMENSIONS: MM		CHK			
TOLERANCES UNLESS OTHERWISE SPECIFIED: 0<XX<10 ± 0.2 10<XX<30 ± 0.25 30<XX<100 ± 0.3 ANGLES ± 3°		APVD	NAME		
		PRODUCT SPEC	JPT 2P ASS'Y FOR CLIP		
MATERIAL		APPLICATION SPEC	SIZE	CAGE CODE	DRAWING NO
FINISH		WEIGHT	A3	00779	3 6 8 3 5 4
			SCALE 2/1 SHEET 1 OF 1 REV C1		