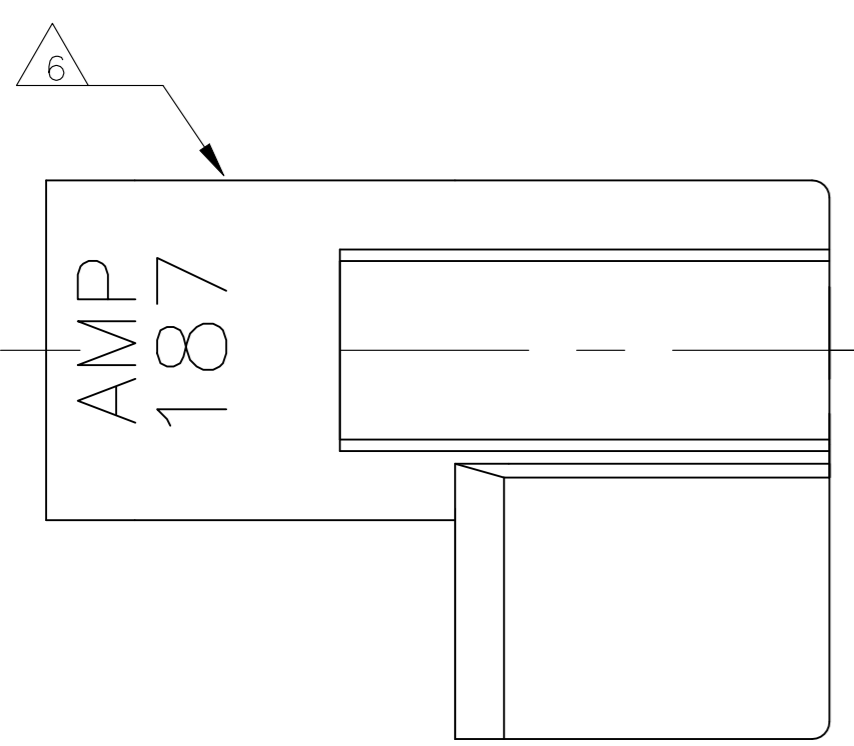
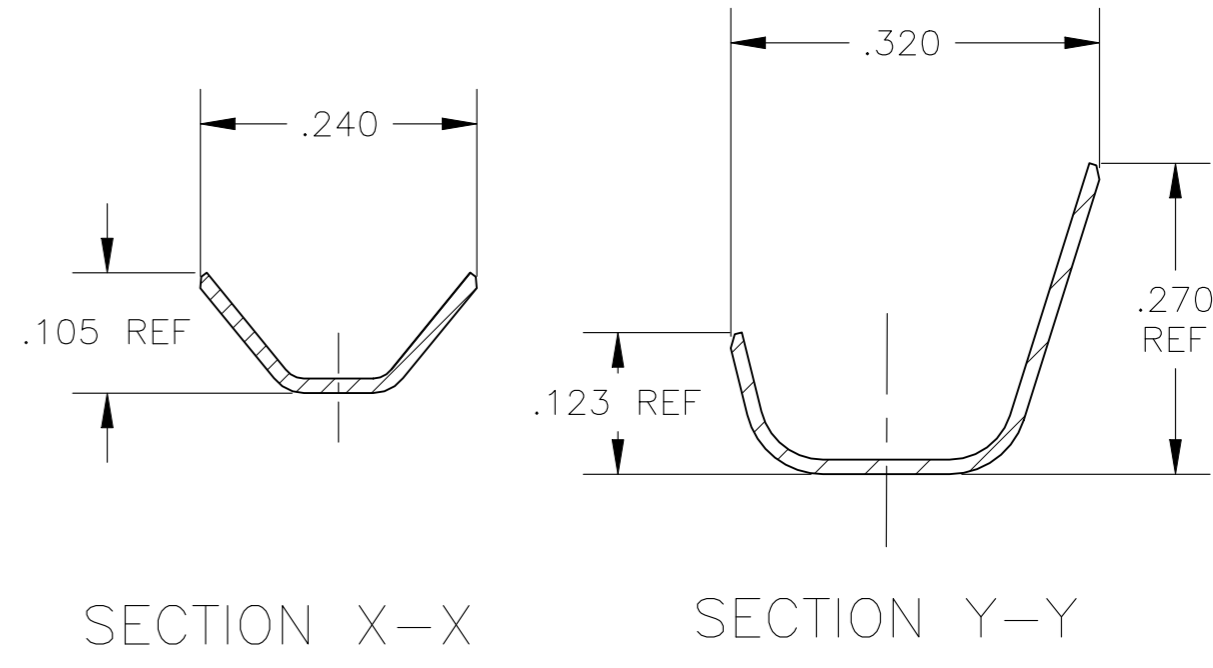
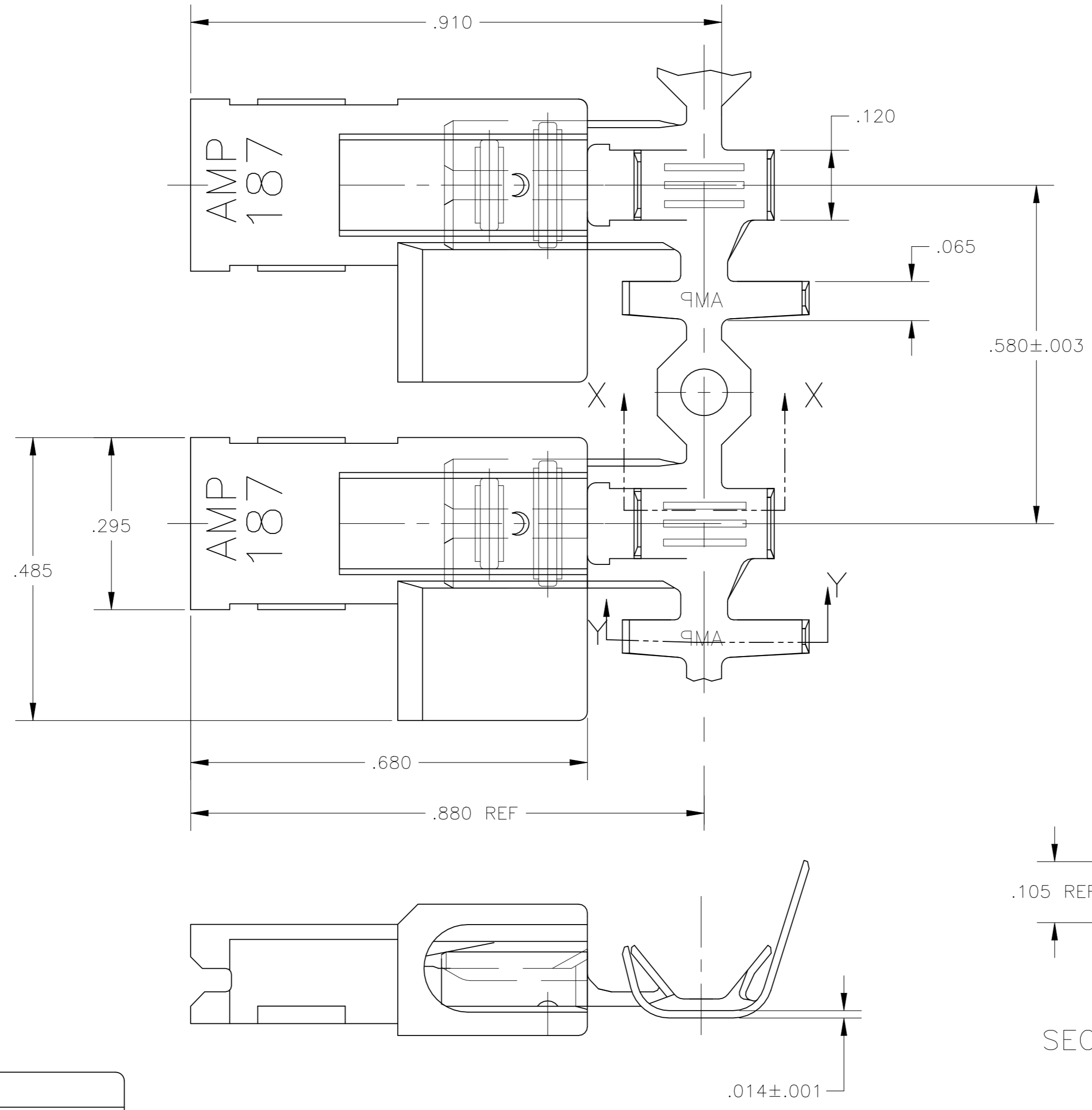


REVISIONS					
P	LTR	DESCRIPTION	DATE	DWN	APVD
J2		REVISED PER ECR-22-160893	15DEC2022	DB	BW

- 2 WIRE SIZES & COMBINATIONS: #18, #16, #14, (2)#20, (2)#18
- 3 INSULATION RANGE IS .110-.150 DIA OR TWO AT .110 MAX DIA.
- 4 MATERIAL;  
TERMINAL: BRASS, FINISH SEE TABLE  
HOUSING: 6/6 NYLON, NATURAL COLOR (WHITE)
- 5 FITS .187 X .020 THK FASTON TAB
- 6 ALTERNATIVE HOUSING FORM



TIN PLATE	521597-2
NO PLATING	521597-1
TERMINAL: FINISH	PART NO.

SUPERSEDED BY 521597-2

THIS DRAWING IS A CONTROLLED DOCUMENT.		DWN	JR RUTH	30JUL03
DIMENSIONS: INCHES		CHK	J HUMMEL	24JUL03
TOLERANCES UNLESS OTHERWISE SPECIFIED:		APVD	KRISTY YI	24JUL03
0 PLC ± -		PRODUCT SPEC	108-2215	
1 PLC ± -		APPLICATION SPEC	114-2124	
2 PLC ± -		WEIGHT	0.000000	
3 PLC ± .010		CUSTOMER DRAWING	SCALE	6:1
4 PLC ± -		FINISH	SEE NOTES	
ANGLES ± -		SIZE	A2	CAGE CODE
MATERIAL		WEIGHT	0.000000	DRAWING NO
SEE NOTES		FINISH	SEE NOTES	RESTRICTED TO
		SCALE	6:1	SHEET
		CUSTOMER DRAWING	SCALE	6:1
		WEIGHT	0.000000	SHEET
		FINISH	SEE NOTES	1 OF 1
		SIZE	A2	REV
		CAGE CODE	C=521597	J2
		DRAWING NO	114-2124	
		RESTRICTED TO	-	

**TE** TE Connectivity  
 ASSEMBLY, RECPT, FLAG, ULTRA-POD, .187 SERIES  
 18-14 AWG, VO HOUSING