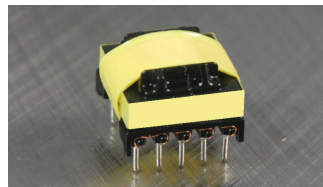




- EE13 Horizontal Core Configuration
- 10 Pin Through Hole Mounting
- Operating Temperature: -40°C ~ 85°C
- UL Class B 130°C Insulation, File E349541



**Primary Electrical Specifications @ 25°C**

S - F	INDUCTANCE 100KHZ, 1VRMS, 25°C	LEAKAGE INDUCTANCE 100KHZ, 1VRMS, 25°C	DCR (mΩ Max)	TURNS RATIO
9 - 10	270 μH ± 10%	2.5μH Max	610	48Ts
7 - 8	47.0μH ± 15%	—	190	20Ts

**Secondary Electrical Specifications @ 25°C**

S - F	INDUCTANCE 100KHZ, 1VRMS, 25°C	LEAKAGE INDUCTANCE	DCR (mΩ Max)	TURNS RATIO
2 - 1	57.6μH ± 15%	—	550	22Ts
4 - 3	57.6μH ± 15%	—	550	22Ts
6 - 5	57.6μH ± 15%	—	550	22Ts

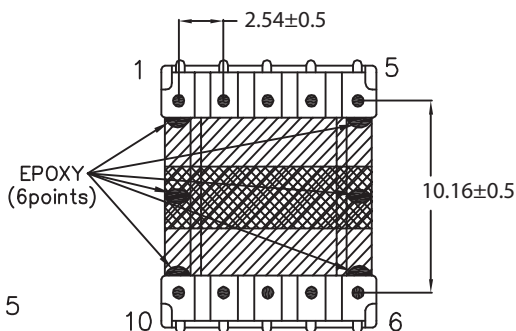
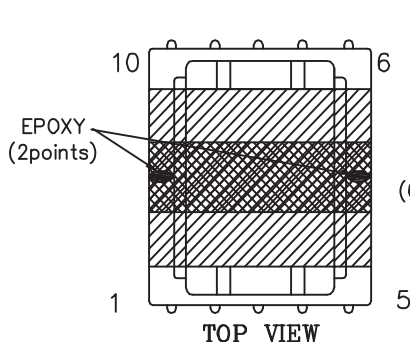
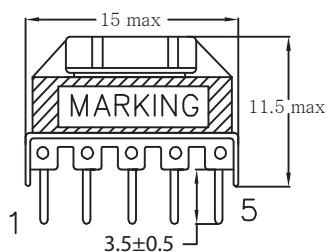
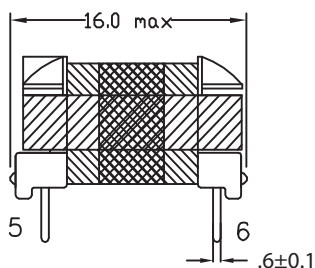
**Hi-Pot / Insulation Resistance**

LOCAT. \ DESC.	PRI - PIR	PRI - SEC	SEC - CORE	PIR - CORE
POT (50Hz/60Hz)	1000VAC 5mA, 2SEC	1000VAC 5mA, 2SEC	500VAC 5mA, 2SEC	500VAC 5mA, 2SEC
INSULATION RESISTANCE	—	500VDC 100 MOhm min	500VDC 100 MOhm min	500VDC 100 MOhm min

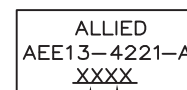
All specifications subject to change without notice.

**MECHANICAL**

UNIT: mm



**MARKING**



WEEK  
YEAR

**SCHEMATIC**

