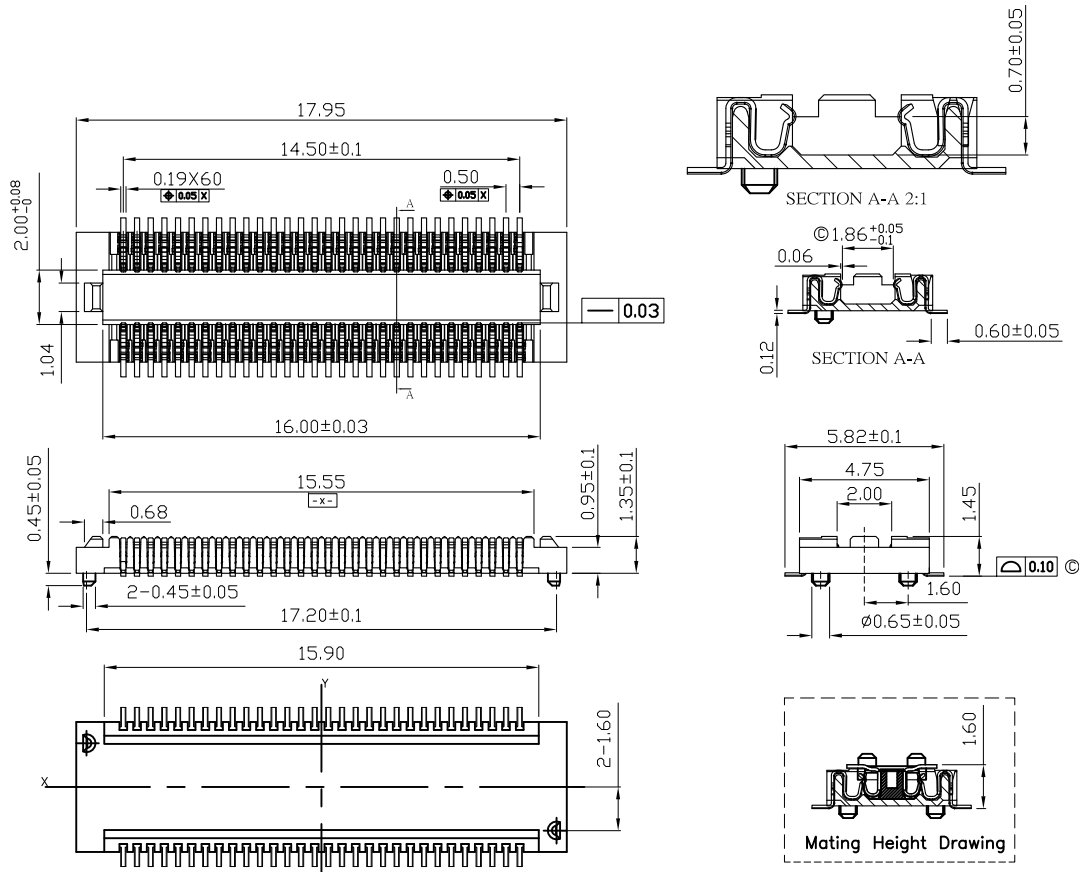


| REV. | DESCRIPTION | DATE |
|------|-------------|------------|
| A | New Drawing | 2013/02/01 |

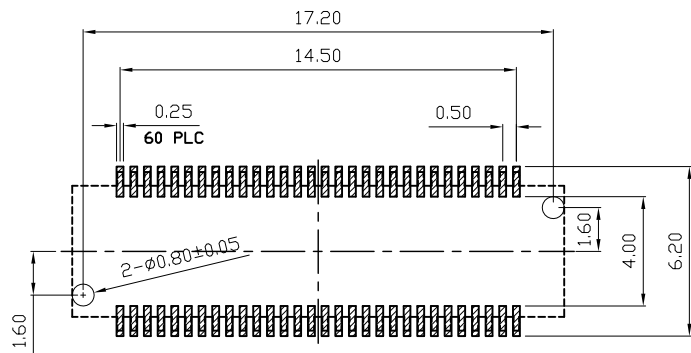
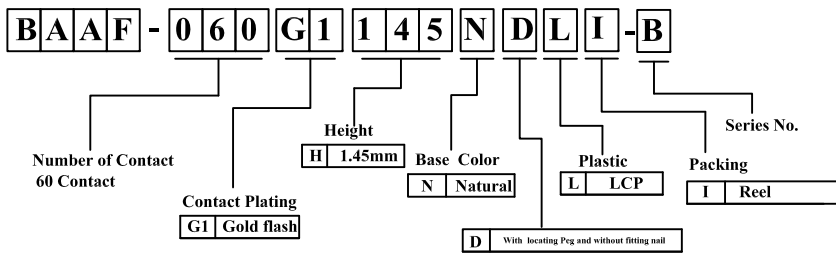


Compliance with:
 PCIe4.0(GT/S),
 USB3.2 Gen2(10Gbps),
 USB3.2 Gen2 Type C(10Gbps)
 Mating with:
 "BBAF-060G1125NDLI-B"

MARKD©:DIMENSIONS. NEED.BE MEASURED IN CPK.

| LTR | Part Name | Material | Description | QTY |
|-----|-----------|-----------------|--|-----|
| 1 | Housing | LCP UL94V-0 | 260°C for 10 Seconds. Initial : 1000M Ohms Min. | 1 |
| 2 | Contact | Bronze C5191 | Current Rating : 0.5 A Initial : 30m Ohms Max. | 60 |

Temperature Rating : -40°C ~ +105°C .
 Dielectric Withstanding Voltage : 300 V AC/Min



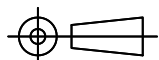
▨ : STAND OFF AREA
 TOLERANCE: ±0.05
 RECOMMENDED PCB LAYOUT
 (TOP VIEW)

RoHS compliant

Superior Tech Co., Ltd.

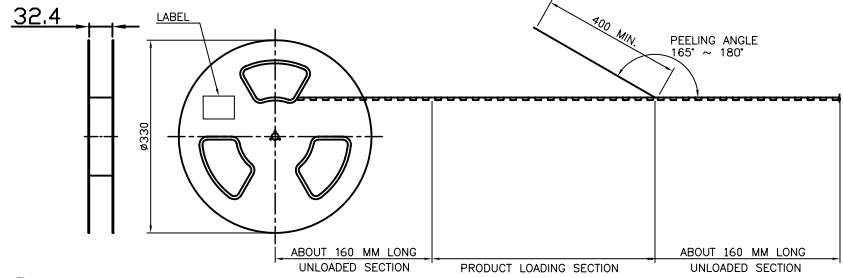
| | | | | |
|-------------------|-------|----------|-------------------------------|---------------------|
| General Tolerance | | TITLE | PH.05 BTOB H1.45 60PIN Female | |
| X. | ± 0.5 | DRAWN | DATE | NO. |
| .X | ± 0.3 | Tom | 02-01-13' | 002 |
| .XX | ± 0.2 | CHECK | DATE | PART NO. |
| .XXX | ± 0.1 | APPROVED | DATE | BAAF-060G1145NDLI-B |
| Angle | ± 5° | | | CUSTOMER NO. |
| | | | | DK |

| | | |
|------|------|-------|
| REV. | UNIT | SCALE |
| A | mm | 1:1 |

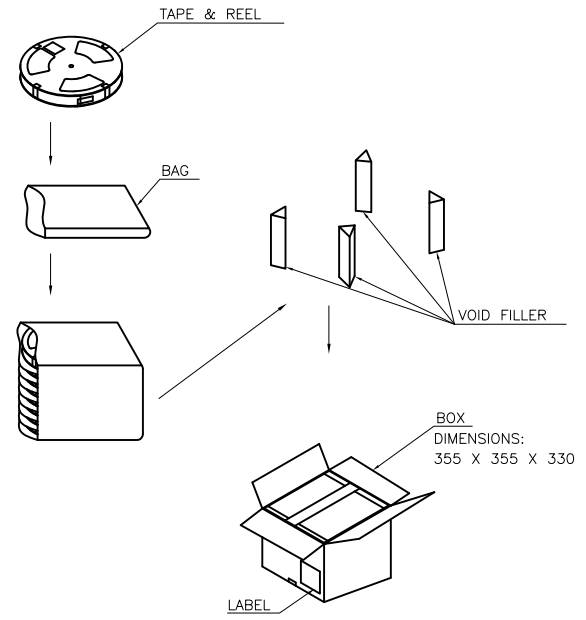
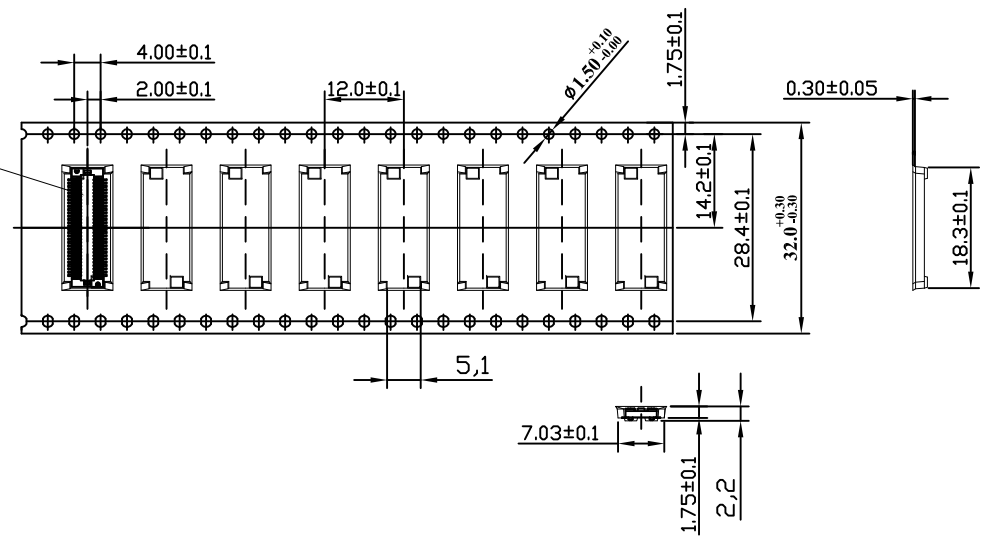
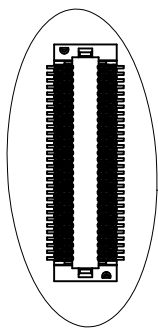


(Q2-R03-01A) ST-R05-07

| REV. | DESCRIPTION | DATE |
|------|-------------|------------|
| A | New Drawing | 2013/06/03 |



USER DIRECTION OF UNREELING →



Note:
 1.All dimensions meet EIA-481-C requirements.
 2.Thickness : 0.3±0.05mm

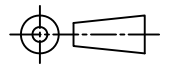
| PIN No. | PCS/R | R/CTN |
|---------|----------|-------|
| 60PIN | 2500 PCS | 8 R |

RoHS compliant

Superior Tech Co., Ltd.

| | | | | | |
|-------------------|-------|----------|------------|-----------------------------|--|
| General Tolerance | | TITLE | | BAAF-060G1145NDLI-B-Packing | |
| X. | ± 0.5 | DRAWN | DATE | NO. | |
| .X | ± 0.3 | Tom | 2013/06/03 | 002 | |
| .XX | ± 0.2 | CHECK | DATE | PART NO. | |
| .XXX | ± 0.1 | APPROVED | DATE | BAAF-060G1145NDLI-B | |
| Angle | ± 5° | | | CUSTOMER NO. | |
| | | | | DK | |

| REV. | UNIT | SCALE |
|------|------|-------|
| A | mm | 1:1 |



(Q2-R03-01A) ST-R05-07