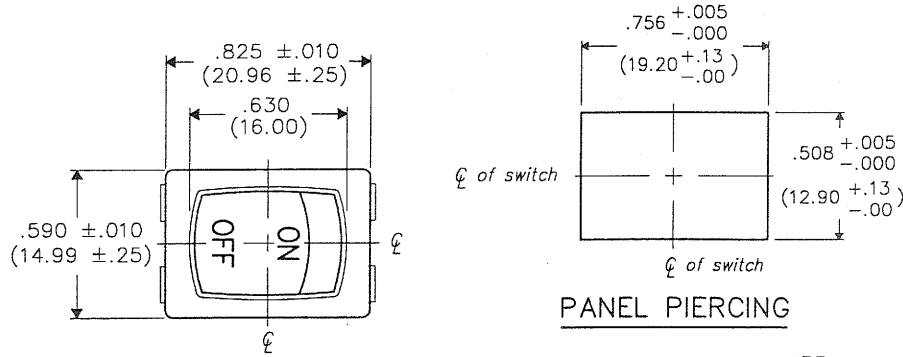
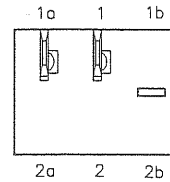


DIMENSIONS IN INCHES (MILLIMETERS)
DO NOT SCALE DRAWING

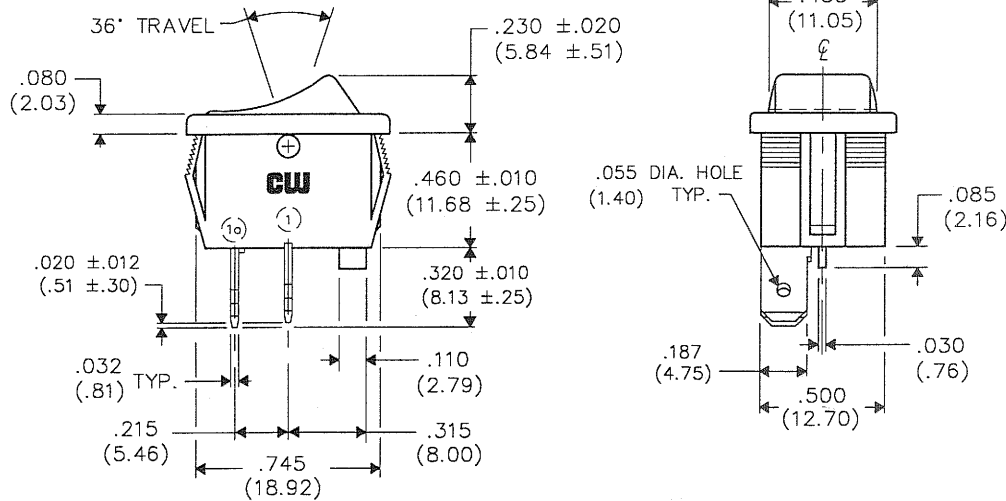
Dwg. No.
GRS-4011-0036



PANEL PIERCING



BOTTOM VIEW



E										
D										
C										
B										
A										
	1	2	3	4	5	6	7	8	9	10

ATTENTION
THIS DRAWING AND ITS ATTACHMENT, IF ANY, ARE PROPRIETARY TO CW INDUSTRIES AND DESCRIBE DESIGNS THAT ARE CONFIDENTIAL AND MUST NOT BE DISCLOSED UNLESS AUTHORIZED, IN WRITING, BY AN OFFICER OF CW INDUSTRIES.....

CW INDUSTRIES
Southampton, Pa. 18966

Title:
MINI SWITCH
SNAP - IN
S.P. - S.T.

TOLERANCES UNLESS OTHERWISE SPECIFIED
2 Place Decimal ±.010 METRIC
3 Place Decimal ±.005 1 Place Dec. ±.25mm
Angles ±1° 2 Place Dec. ±.13mm

Make for: CW IND.
Drawn by: DGW 12-11-96
Checked by: G. GULD 12-11-96
Approval: D. Blomgren 12-11-96

Division:
SWITCH
Dwg. No.
GRS-4011-0036

FORM-B3
REVISIONS
0
RELEASED
DGW
DEC 11 1996

MASTER