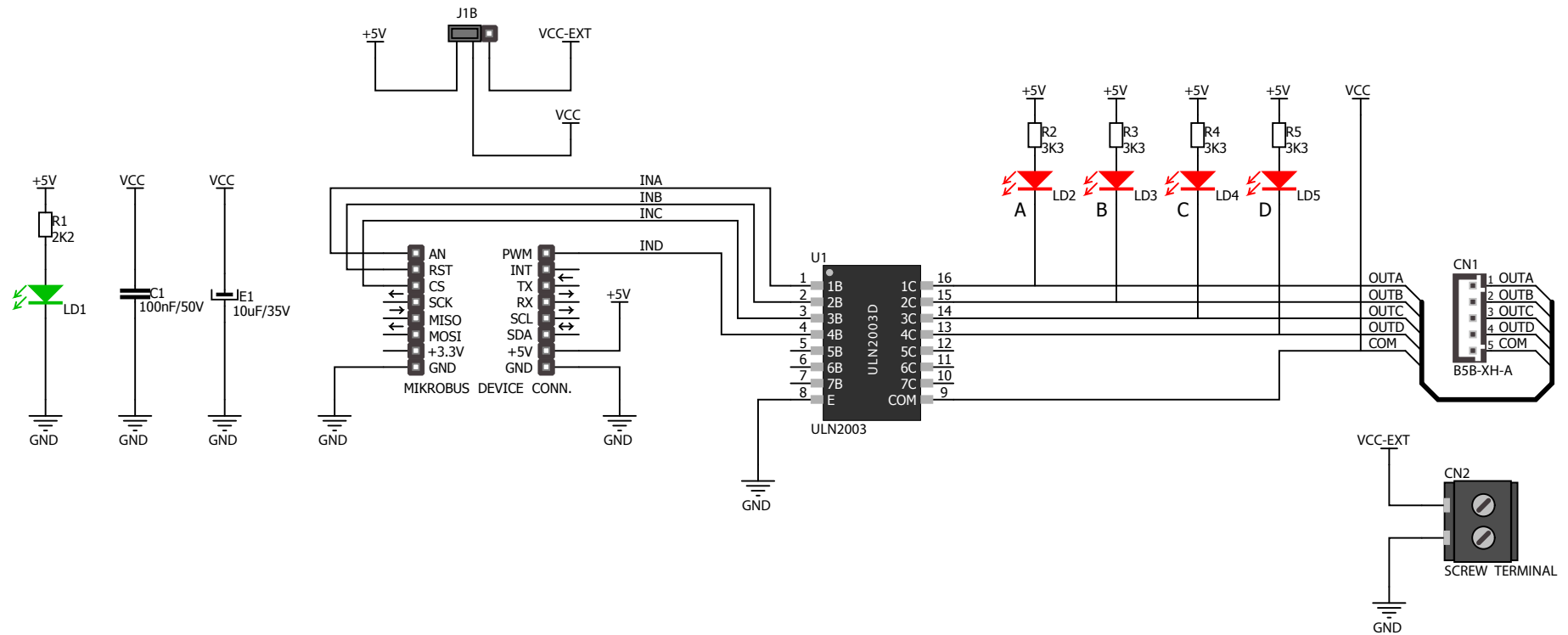


# Type Stepper 3 click schematic v103



[www.mikroe.com](http://www.mikroe.com)