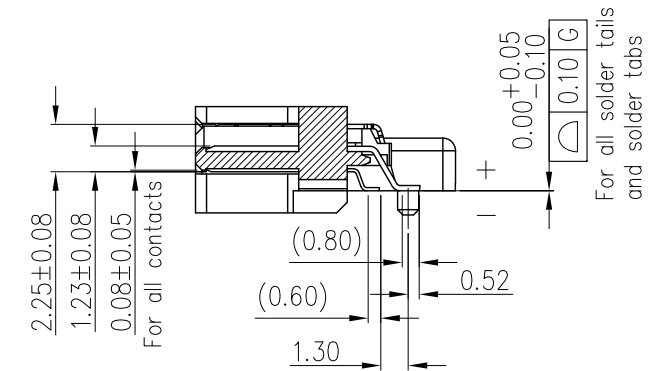
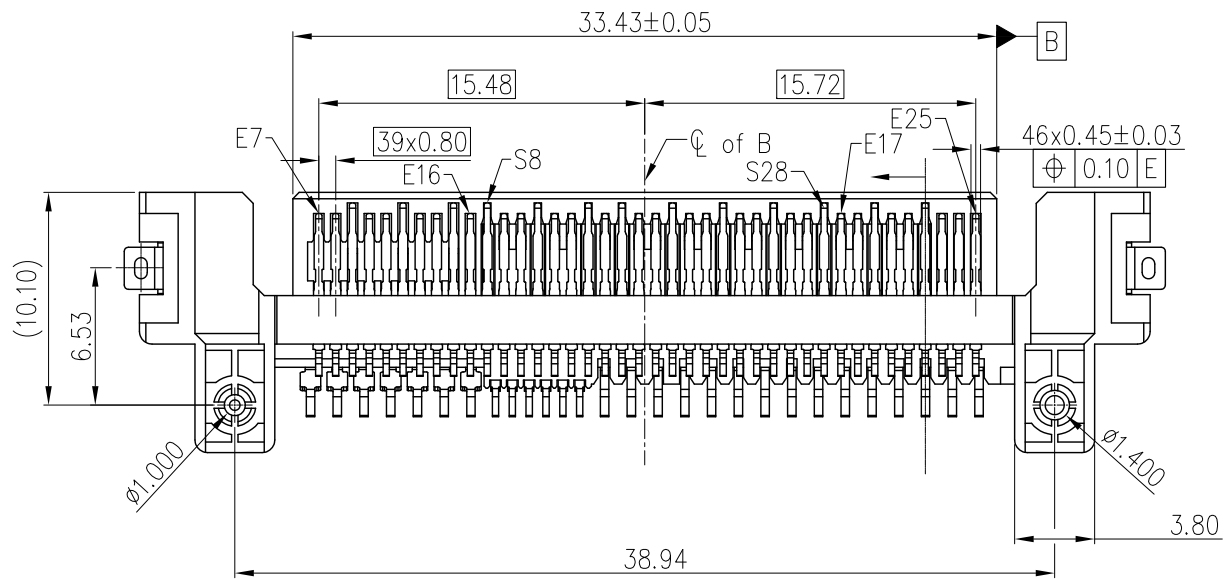
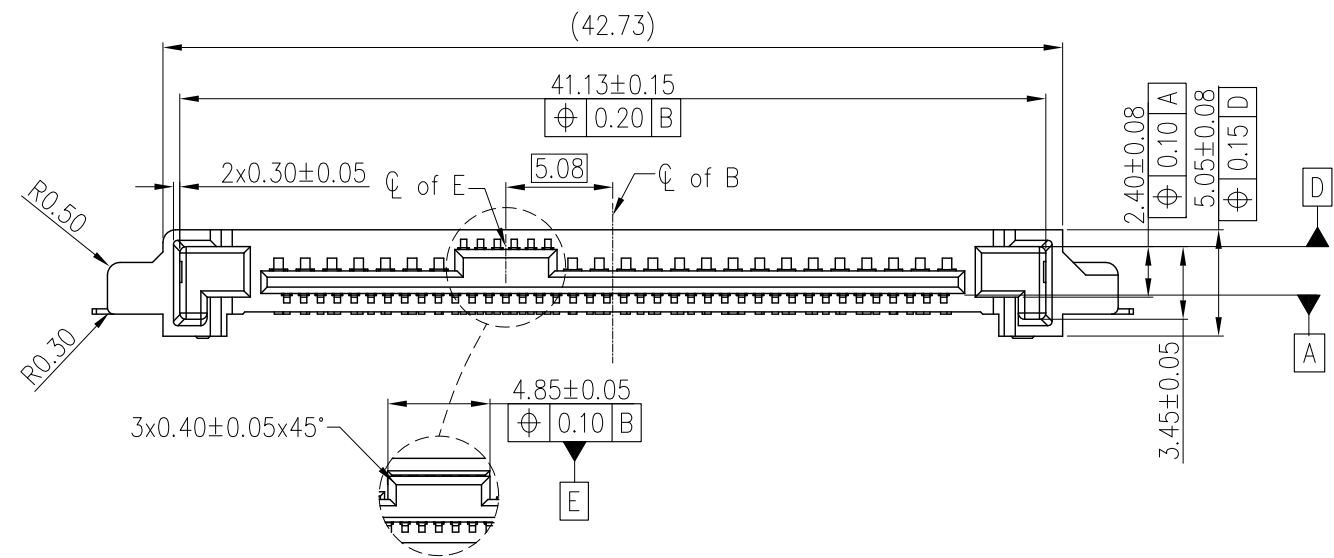
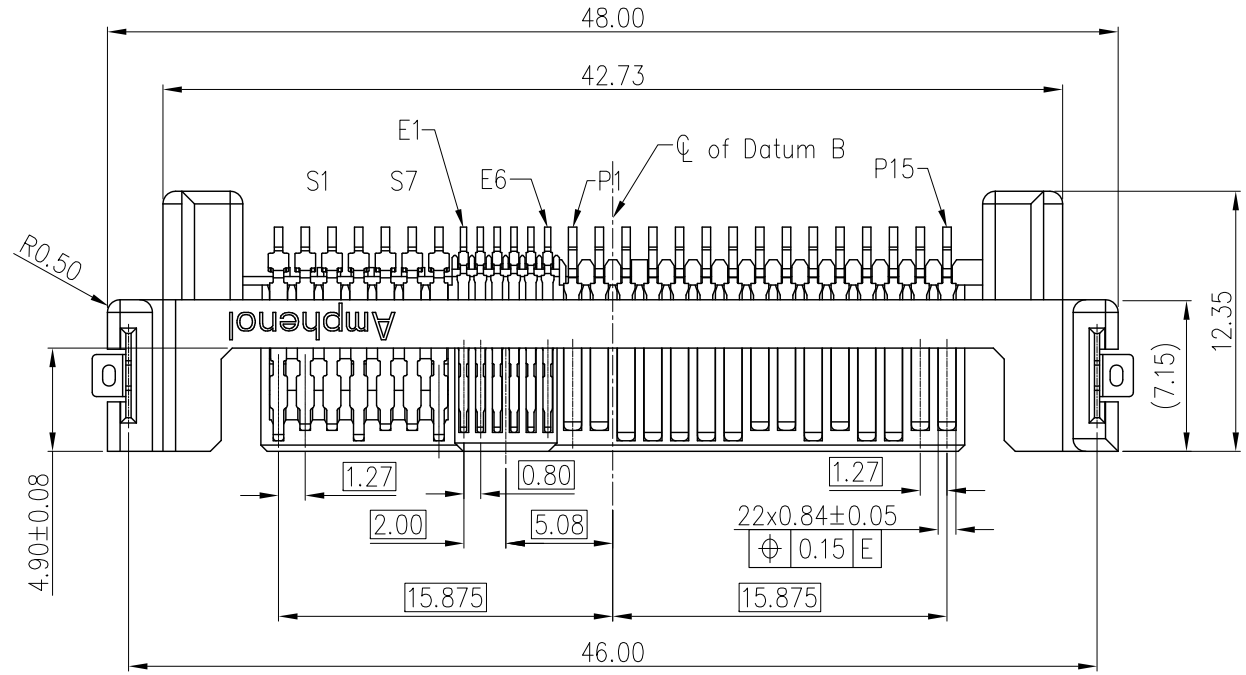
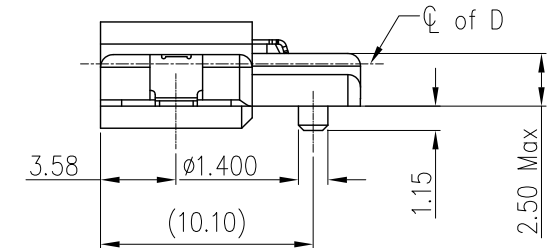


This document is the property of Amphenol Corporation and is delivered on the express condition that it is not to be disclosed, reproduced or used, in whole or in part, for manufacture or sale by anyone other than Amphenol Corporation without its prior consent, & that no right is granted to disclose or to use any information in this document.

REVISIONS				
SYM	ECN	DESCRIPTION	DATE	APPROVED
1	HK----	FIRST RELEASE	11/02/17	IP



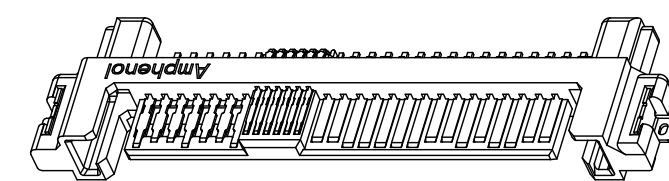
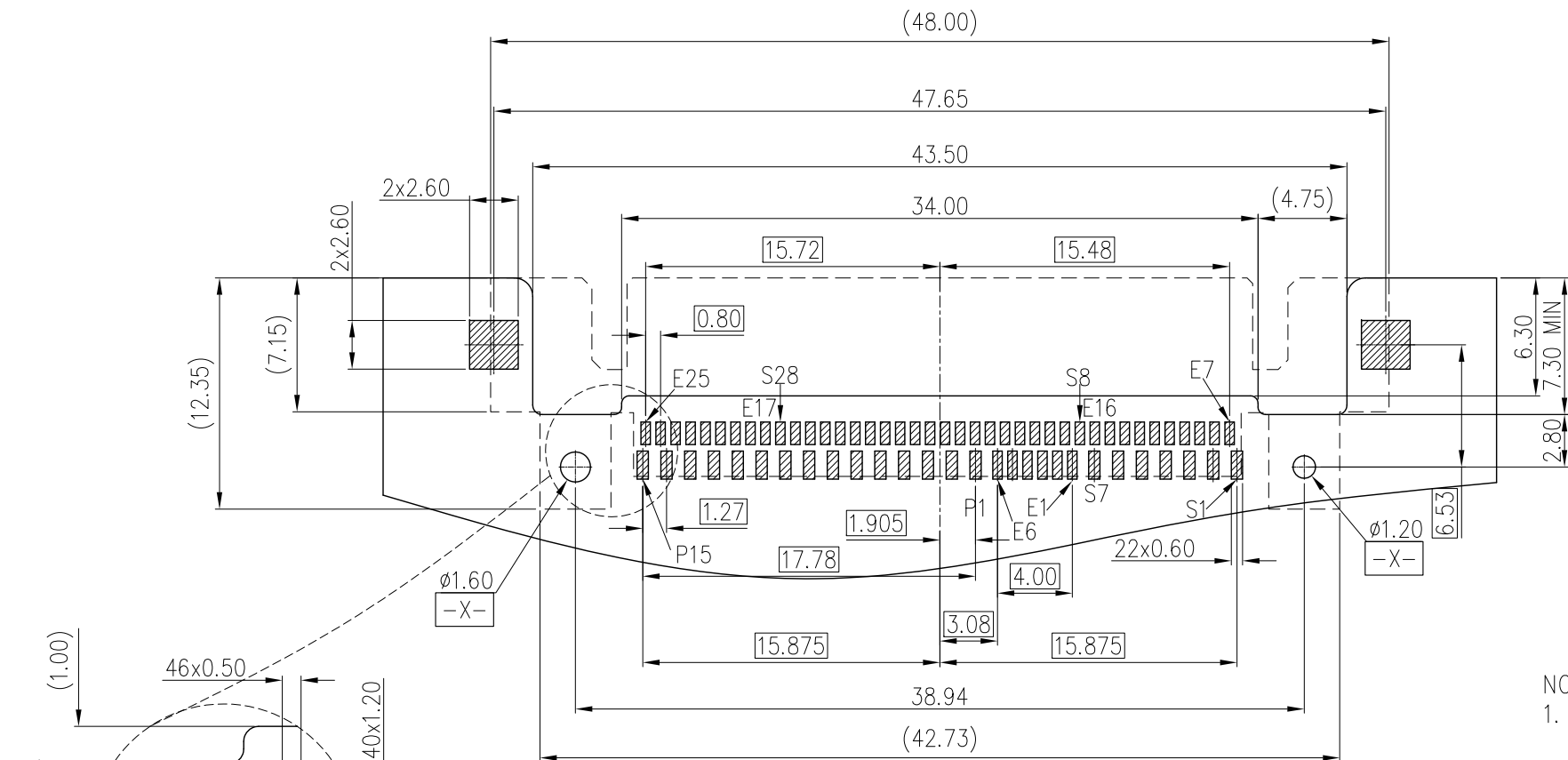
SECTION A-A



UNLESS OTHERWISE SPECIFIED TOLERANCES U.S. METRIC .X +/- 0.50 .XX +/- 0.25 .XXX +/- 0.20 FRACTIONS +/- ANGLES +/- 3° FOR MATERIALS AND FINISHES SEE NOTES REMOVE SHARP EDGES DIMENSIONS U.S. INCHES (METRIC) (MM)	APPROVAL DRAWN: Evan.Dai CHECKED: [] CHECKED: []	DATE 11/02/17	Amphenol Amphenol East Asia Limited TITLE Customer Drawing For 16G PCIe/SAS R/A SMT Plug Connector SIZE DRAWING NO. REV. A3 PSAS4M213002XXX 1 SCALE NONE SHEET 1 OF 3
	DRAWING FILE : PE MASTER\DRAWING\PSAS\PSAS4M213002XXX-1		
	ANGLE OF PROJECTION 		
	DIMENSIONS U.S. INCHES (METRIC) (MM)		

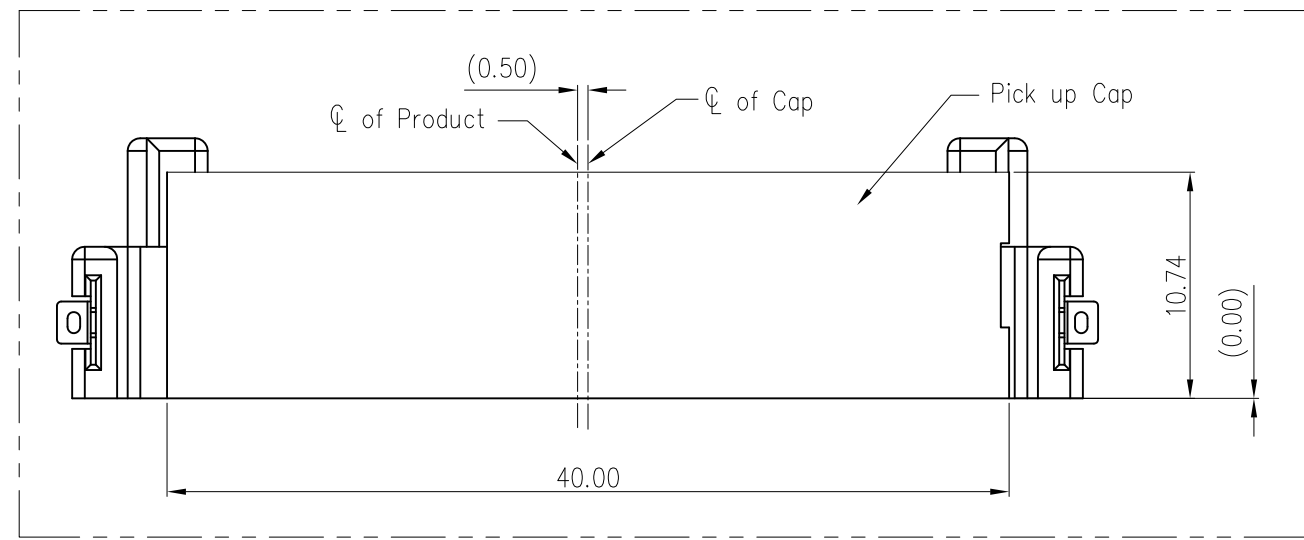
This document is the property of Amphenol Corporation and is delivered on the express condition that it is not to be disclosed, reproduced or used, in whole or in part, for manufacture or sale by anyone other than Amphenol Corporation without its prior consent, & that no right is granted to disclose or to use any information in this document.

REVISIONS				
SYM	ECN	DESCRIPTION	DATE	APPROVED
		REFER TO SHEET 1		



- NOTES:
- Material housing: High temperature thermoplastic UL94V-0, color: black.
Contact: Brass
Plating: Refer to P/N system on mating area.
1.27~2.54um Nickel underplate overall.
2.54~5.08um matte pure Tin on solder tail.
 - Electrical specification:
 - Current rating: 1.5A (Power section).
 - Contact resistance: 30mΩ MAX.
 - Insulator resistance: 1000MΩ MIN.
 - Dielectric withstanding voltage: 500 VAC
 - Operation temperature: -0°C~+55°C
 - Dimensioning shall be interpreted per ASME Y14.5M 1994
 - Material should be fulfilled Amphenol SPEC.# S-SN-002, for halogen free products, also need to meet S-SN-004
 - Order p/n system : PSAS4M213002XXX

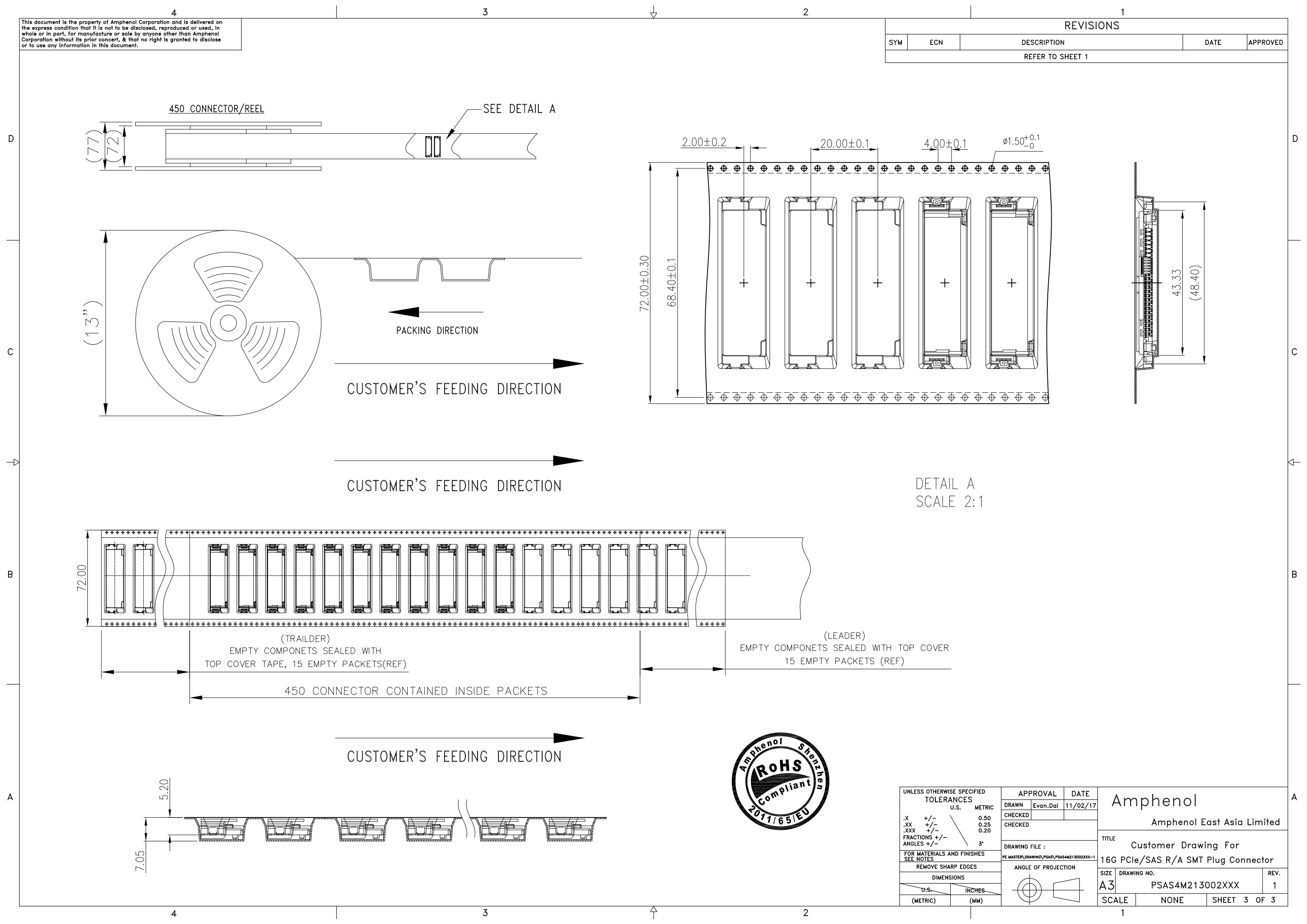
MATING AREA PLATING ——— PACKING STYLE
 1- 0.76um MIN Au. NIL- TRAY
 2- 0.38um MIN Au. TR- TAPE AND REEL WITH CAP
 3- Gold Flash
 4- G/F Over PdNi



UNLESS OTHERWISE SPECIFIED TOLERANCES		APPROVAL	DATE	Amphenol
.X	+/-	DRAWN	11/02/17	
.XX	+/-	CHECKED		
.XXX	+/-	CHECKED		TITLE
FRACTIONS +/-				Customer Drawing For
ANGLES +/-	3°			16G PCIe/SAS R/A SMT Plug Connector
FOR MATERIALS AND FINISHES SEE NOTES		DRAWING FILE :		SIZE
REMOVE SHARP EDGES		PE MASTER/DRAWING/PSAS/PSAS4M213002XXX-1		DRAWING NO.
DIMENSIONS		ANGLE OF PROJECTION		REV.
U.S.	INCHES			1
(METRIC)	(MM)	SCALE	NONE	SHEET 2 OF 3

This document is the property of Amphenol Corporation and is delivered on the express condition that it is not to be disclosed, reproduced or used, in whole or in part, for manufacture or sale by anyone other than Amphenol Corporation without its prior consent, & that no right is granted to disclose or to use any information in this document.

REVISIONS				
SYM	ECN	DESCRIPTION	DATE	APPROVED
REFER TO SHEET 1				



UNLESS OTHERWISE SPECIFIED TOLERANCES		APPROVAL	DATE
.X	+/-	DRAWN	Evan.Dai 11/02/17
.XX	+/-	CHECKED	
.XXX	+/-	CHECKED	
FRACTIONS	+/-	DRAWING FILE :	
ANGLES	+/-	PE MASTER/DRAWING/PSAS/PSAS4M213002XXX-1	
REMOVE SHARP EDGES		ANGLE OF PROJECTION	
DIMENSIONS			
U.S.	INCHES		
(METRIC)	(MM)		

Amphenol		
Amphenol East Asia Limited		
TITLE Customer Drawing For		
16G PCIe/SAS R/A SMT Plug Connector		
SIZE	DRAWING NO.	REV.
A3	PSAS4M213002XXX	1
SCALE	NONE	SHEET 3 OF 3