

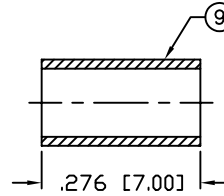
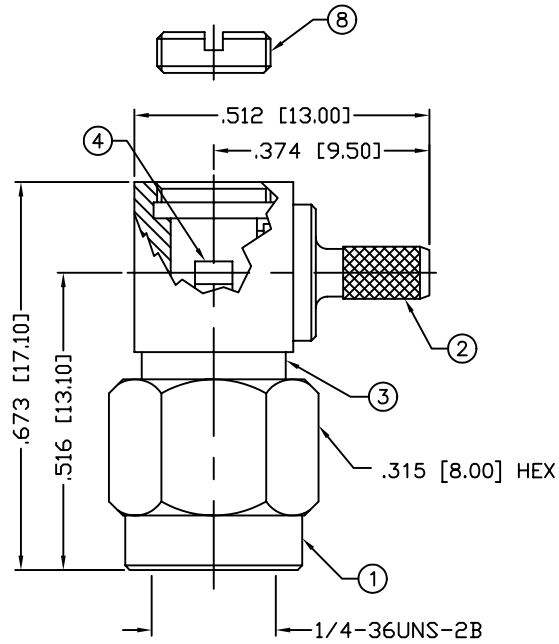
THIS DRAWING CONTAINS INFORMATION PROPRIETARY TO RF INDUSTRIES.  
 ANY UNAUTHORIZED USE OF THIS DRAWING IS EXPRESSLY PROHIBITED  
 WITHOUT WRITTEN PERMISSION FROM RF INDUSTRIES.  
 ANY VIOLATION IS PUNISHABLE UNDER U.S. COPYRIGHT LAWS.

PART NO.

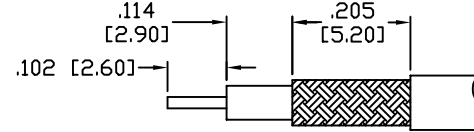
**RP-3010-1B**

REV	DESCRIPTION	DWN	DATE	APPROVED
-	ENGINEERING RELEASE	GGG	3/7/02	JDMc
A	CHANGE CONNECTOR DESIGN FROM 7777 TO 8974	CZS	4/24/06	JDMc

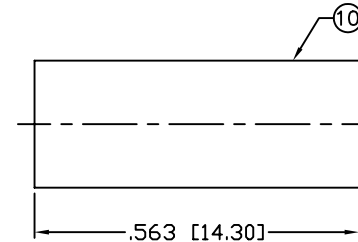
ALL DIMENSIONS ARE REFERENCE ONLY



RECOMMENDED CRIMP DIE: .130"



RECOMMENDED STRIPPING DIMENSIONS



NOTE: ATTACH CABLE TO CONNECTOR BY SOLDERING  
 THE CABLE INNER CONDUCTOR TO THE  
 CONTACT SLOT INSIDE THE CONNECTOR

**SPECIFICATIONS:**


IMPEDANCE: 50 Ohms  
 FREQUENCY RANGE: 0-12.4 GHz  
 INSERTION LOSS(dB):  $0.07 \times \sqrt{f(\text{GHz})}$   
 VSWR: 1.3 MAX.  
 WORKING VOLTAGE: 375 V rms Max. @ Sea Level  
 INSULATION RESISTANCE: 5k M Ohms min.  
 TEMPERATURE RANGE: -65°C TO 85°C  
 FOR RG-174, 188, 188A, 316/U, ALPHA 9174, 9316,  
 BELDEN 8216, 83269, 83284, 84316 & TIMES LMR-100A CABLE

1	SHELL	1	BRASS	GOLD, 3 μ"	008974	UNLESS OTHERWISE SPECIFIED:		
2	BODY	1	BRASS	GOLD, 3 μ"				
3	PRESS BODY	1	BRASS	GOLD, 3 μ"				
4	INSULATOR	1	PTFE	----				
5	CONTACT	1	Be. Cu.	GOLD, 50 μ"				
6	RETAINING RING	1	Be. Cu.	----				
7	GASKET	1	SILICONE	----				
8	SCREW CAP	1	BRASS	GOLD, 3 μ"				
9	FERRULE	1	COPPER	GOLD, 3 μ"				
10	TUBING	1	HEAT SHRINK	----				
11							DRAWN	4/24/06
12							C. ZUNIGA	
13							CHECKED	
14							ORJ DRAWN	8/23/99
#	DESCRIPTION	QTY	MATERIAL	FINISH	APPROVALS	DATE		

DIMENSIONS ARE IN INCHES  
 AND [MILLIMETERS]  
 UNLESS OTHERWISE NOTED  
 TOLERANCES ARE:

DECIMALS	DIAMETER
----------	----------

7610 MIRAMAR RD  
 SAN DIEGO, CA 92126  
 (858) 549-6340  
 (858) 549-6345 FAX



**SMA PLUG, CRIMP**  
 REVERSE POLARITY, RIGHT ANGLE

SIZE A	CABLE GROUP B	DWG NO. RP-3010-1B	REV A
SCALE: NTS		CAD FILE OUTLINE	SHEET 1 OF 1