



General Electronic Devices

Makers of active and passive components
 Quartz Crystal * Oscillators * Synthesizer * Filters
 Micro-Hybrid Assembly Services

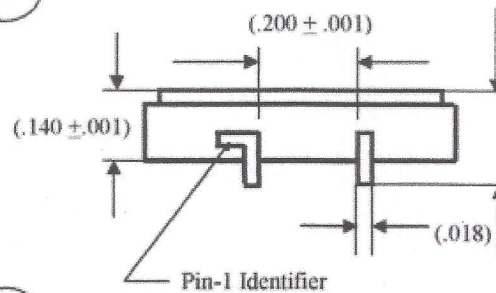
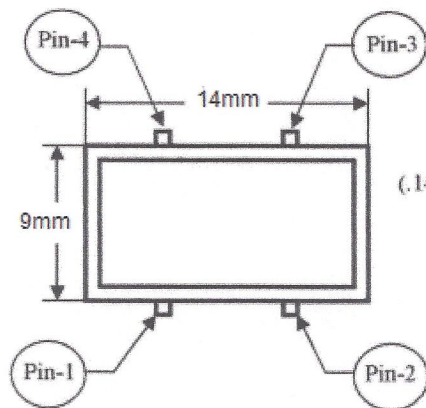
SMD914CB-ED-32.768KHz

Surface Mount-9x14mm Ceramic Package
 4-"J"Lead Oscillator
 Output: CMOS
 Operating Voltage: 5V

THIS DEVICE IS RoHS COMPLIANT

ELECTRICAL SPECIFICATIONS	
Type	9x14 mm "J lead" SMD Oscillator
Frequency	32.768000 KHz
Frequency Stability	± 50 ppm
Operating Temperature	-10°C - +70 °C
Storage Temperature	-55 - +125 °C
Input Voltage	5.0±10% VDC
Input Current	10 mA (Max)
CMOS OUTPUT: "0" Level "1" Level	10%VDD (MAX) 90% VDD (MIN)
Symmetry	40% to 60% (at 50% VDD)
Rise and Fall Time	200 nS (MAX)
Tri-State Output (EN/MC)	EN
Output Load	15pF
Start-Up Time	5 ms (typical)
Aging Rate	+ 3ppm/Year MAX

DRAWING OUTLINE



(Unit: inches)

PIN CONFIGURATION	
Pin 1	E/D or N/C
Pin 2	GND
Pin 3	OUTPUT
Pin 4	VDD



General Electronic Devices

Makers of active and passive components
Quartz Crystal * Oscillators * Synthesizer * Filters
Micro-Hybrid Assembly Services

PART NUMBERING GUIDE

