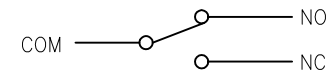
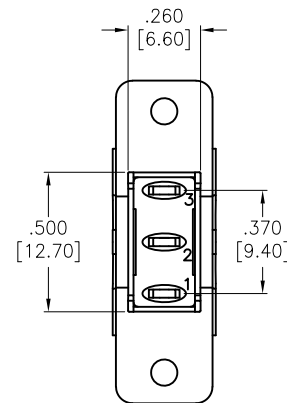
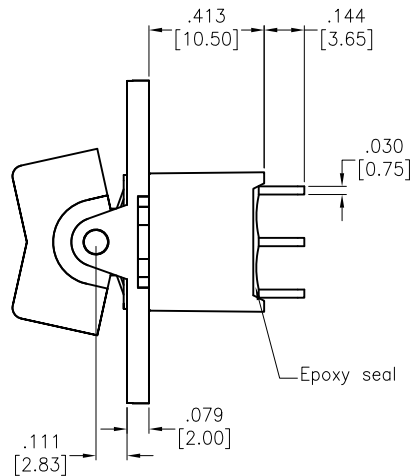
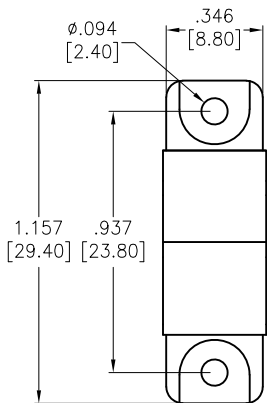
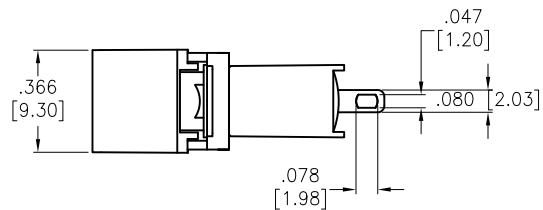


APPROVED: _____
 DATE: _____ TITLE: _____

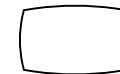
Rev	AWO #	Description	Date	Appr
-		RELEASED	12/16/20	
A		UPDATE TITLE	6/25/21	WX/RC



CIRCUIT DIAGRAM
(SPDT) ON-ON



SWITCH MARKINGS



SPECIFICATIONS:

Material:
 Movable contact: Copper Alloy, Silver plated
 Terminals: Silver plated with outer layer in gold plating
 Cap Actuator: Plastic, color Black
 Electrical:
 Rating: 5 Amps with resistive load @ 125VAC or 28VDC
 2 Amps with resistive load @ 250VAC
 Contact resistance: 10 mohms max initial
 Insulation resistance: 1,000 Mohms min
 Dielectric withstanding voltage: 1500V RMS @ sea level
 Electrical life: 50,000 make and break cycles at full load
 Temperature Rating:
 Operating temperature: -30°C to +85°C
 Environmental:
 IP Class: IP67
 Lead free, RoHS compliant



UNLESS OTHERWISE SPECIFIED ALL DIMENSIONS ARE INCHES [MM] TOLERANCES: EXCEPT AS NOTED INCHES HOLES .X ± .10 Ø.X ± .10 .XX ± .020 Ø.XX ± .015 .XXX ± .015 Ø.XXX ± .010		ADAM TECH 909 Rahway Avenue, Union, NJ 07083 Phone: 908-687-5000 Fax: 908-687-5710	
APPROVALS DRAWN OW CHECKED AC APPROVED		DATE 12/16/20 12/16/20	
TITLE MINIATURE ROCKER SWITCH, SPDT, ON-ON, SOLDER TYPE		SIZE X	PART NO. SW-R2-2B-A-5-11
REF: S00198T		SCALE: NTS	SHEET 1 OF 1
		REV. A	