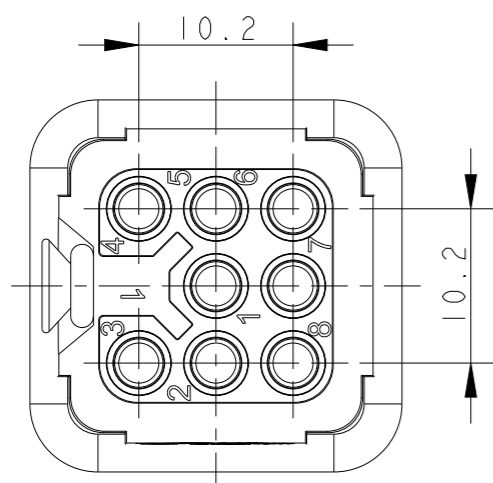


REVISIONS

P	LTR	DESCRIPTION	DATE	DWN	APVD
A		INITIAL RELEASE	16DEC2014	HMR	CW
B		ECR-15-013292	16SEP2015	DL	CW
BI		ECR-16-009730	06JUL2016	BS	CW
C		ECR-21-105750	02JUL2021	BS	CW



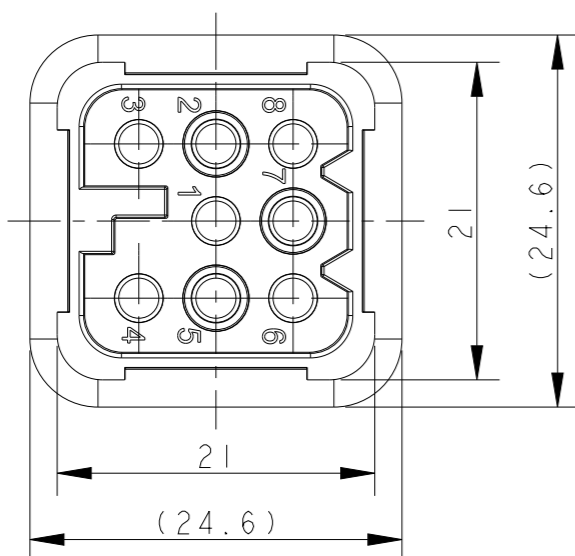
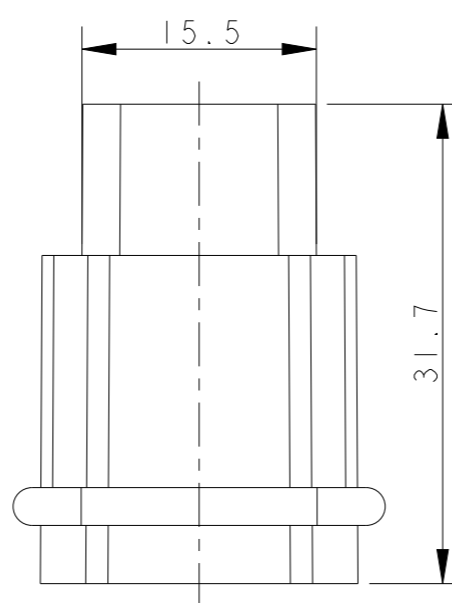
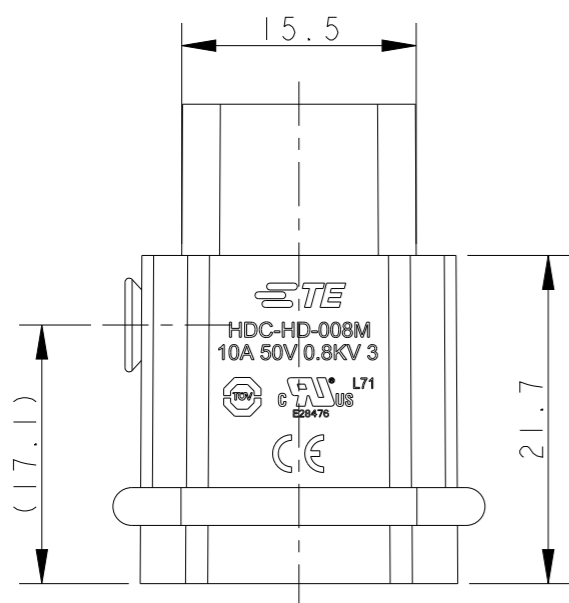
M3 SCREW  
RECOMMENDED TIGHTENING  
TORQUE 0.5Nm

NOTES:

- TECHNICAL CHARACTERISTICS:  
INSULATION MATERIAL: PBT  
RATED VOLTAGE: 50 V  
RATED CURRENT: 10 A  
INSULATION RESISTANCE:  $\geq 400M\Omega$   
RATED IMPULSE VOLTAGE: 0.8 KV  
POLLUTION DEGREE: 3  
FLAMMABILITY: UL94V-0  
MATING CYCLES: 500 CYCLES  
WIRE RANGE: 0.14-2.5 mm<sup>2</sup> (26-14 AWG)  
CONTACT TYPE: CRIMP CONTACT
- CONTACT NEED TO BE ORDERED SEPARATELY.  
(ORDER No. REFER TO DRAWING: T20200X10XX000)

注释:

- 技术参数:  
绝缘材料: PBT  
额定电压: 50V  
额定电流: 10A  
绝缘电阻:  $\geq 400M\Omega$   
额定脉冲电压: 0.8 KV  
污染等级: 3  
阻燃等级: UL94V-0  
插拔次数: 500次  
接线范围: 0.14-2.5 mm<sup>2</sup> (26-14 AWG)  
接线类型: 冷压接
- 端子需要单独订购.  
(订货号参考图面: T20200X10XX000)



T2020082101-001	HD-008-M HD-008公插(不锈钢螺丝)
T2020082101-000	HD-008-M HD-008公插
PART NUMBER 料号	DESCRIPTION 描述

DIMENSIONS:		TOLERANCES UNLESS OTHERWISE SPECIFIED:		APVD		NAME		RESTRICTED TO	
mm				16DEC2014		HD-008-M			
		0 PLC	±-	DWN	16DEC2014	RAGHAVENDRA H M		TE Connectivity	
		1 PLC	±-	CHK	16DEC2014				
		2 PLC	±-	CHRIS WANG		XU XIANG		108-137042	
		3 PLC	±-	XU XIANG					
		4 PLC	±-	114-137042		A3		C-T2020082101000	
		ANGLES	±-	114-137042					
MATERIAL	-	FINISH	-	CUSTOMER DRAWING		SCALE		SHEET	
	-		-			2:1		1 OF 1	
								REV C	