

TABLE OF CONTENTS	
SHEET NO.	SHEET DESCRIPTION
1	NOTES AND BOM
2	CONFIGURATIONS
3-4	KEY CONFIGURATIONS
5	RECEPTACLE CONNECTOR ASSEMBLY
6	BACKSHELL NOTES
7	BACKSHELL
8	BACKSHELL CONFIGURATIONS

NOTES: VALID UNLESS OTHERWISE SPECIFIED

1. GENERAL:
- a. APPLICATION SPECIFICATION SEE: AS-33472-100
- CONTAINS: PRODUCT INTRODUCTION, PRODUCT SUMMARY, CONNECTOR ASSEMBLY, PACKAGING INFORMATION, CONNECTOR MATING, SERVICE INSTRUCTIONS, ELECTRICAL CONTINUITY CHECKING, CRIMPING, AND TROUBLESHOOTING.
 - DESIGNED TO MATE WITH DEVICE OR CONNECTOR AS SPECIFIED IN THE MATING INTERFACE/CONNECTOR DRAWINGS CHART.
 - *DENOTES DRAWINGS THAT CAN BE ACCESSED AT <<http://ewcap.uscarteams.org/>>.
 - ASSEMBLY SHIPPED WITH PLR IN PRE-LOCK POSITION (SEE PLR PRE-LOCK VIEW SHEET 5).

- b. PRODUCT SPECIFICATION SEE:
- STANDARD CONFIGURATION: PS-33471-000
 - UL V0 CONFIGURATION: PS-160105-0001
 - CONTAINS: PRODUCT INTRODUCTION, PRODUCT SUMMARY, RATINGS (CURRENT, TEMPERATURE, SEALING, AND FLAMMABILITY), TERMINALS, WIRE DIAMETER RANGE, PRODUCT VALIDATION, AND PRODUCT DEVIATIONS.

c. PACKAGING SPECIFICATION PER MOLEX DRAWING: SEE PACKAGING CHART

d. PARTS MUST BE IN COMPLIANCE TO MOLEX CHEMICAL SUBSTANCES FOR PRODUCTS AND PACKAGING SPECIFICATION: QEHS-699000-301

e. DATA MUST BE SUBMITTED UNDER THE MOLEX PART NUMBER TO IMDS (COMPANY ID#13255)

2. DESIGN - MATERIALS:

- a. FOR BILL OF MATERIALS SEE:
- STANDARD CONFIGURATION SD-33471-0002
 - UL V0 CONFIGURATION SD-160105-0002

3. DESIGN - GEOMETRY:

a. THE 3-D CAD DATA IS BASIC (WITHOUT TOLERANCE) AND MASTER FOR THIS PART WITH THE EXCEPTION OF UNDERLINED DIMENSIONS. DIMENSIONAL INFORMATION NOT SHOWN ON THIS DRAWING IS DEFINED BY THE DATA FILE AT ITS LATEST REVISION.

b. GEOMETRIC DIMENSIONS AND TOLERANCES PER ASME Y14.5M-2009

c. EDGES AND UNDIMENSIONED DETAILS PER ISO13715

d. CORNERS SHOWN AS SHARP TO BE R 0.2 MAX.

e. LETTERING SHALL BE 0.15 MAX RAISED IN 0.25 MAX RECESS PAD. THIS INCLUDES RECYCLING CODE, CAVITY ID, VENDOR IDENTIFICATION, AND CUSTOMER MATERIAL NUMBER.

f. VISUAL DEFECTS SHALL MEET COSMETIC STANDARD PS-45499-002 (Class B).

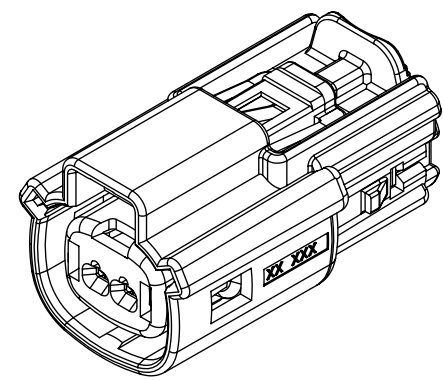
g. LASER MARKING:

- PART NUMBER
- DAY OF THE YEAR
- SHIFT
- YEAR

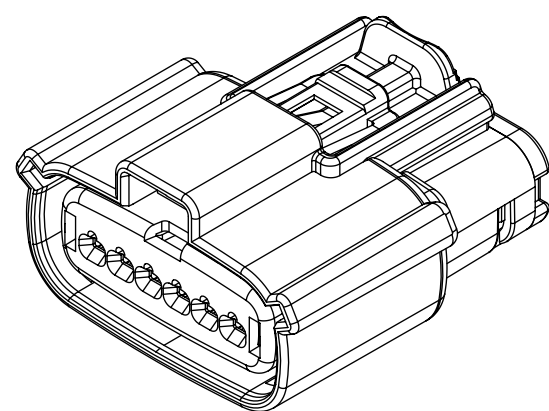
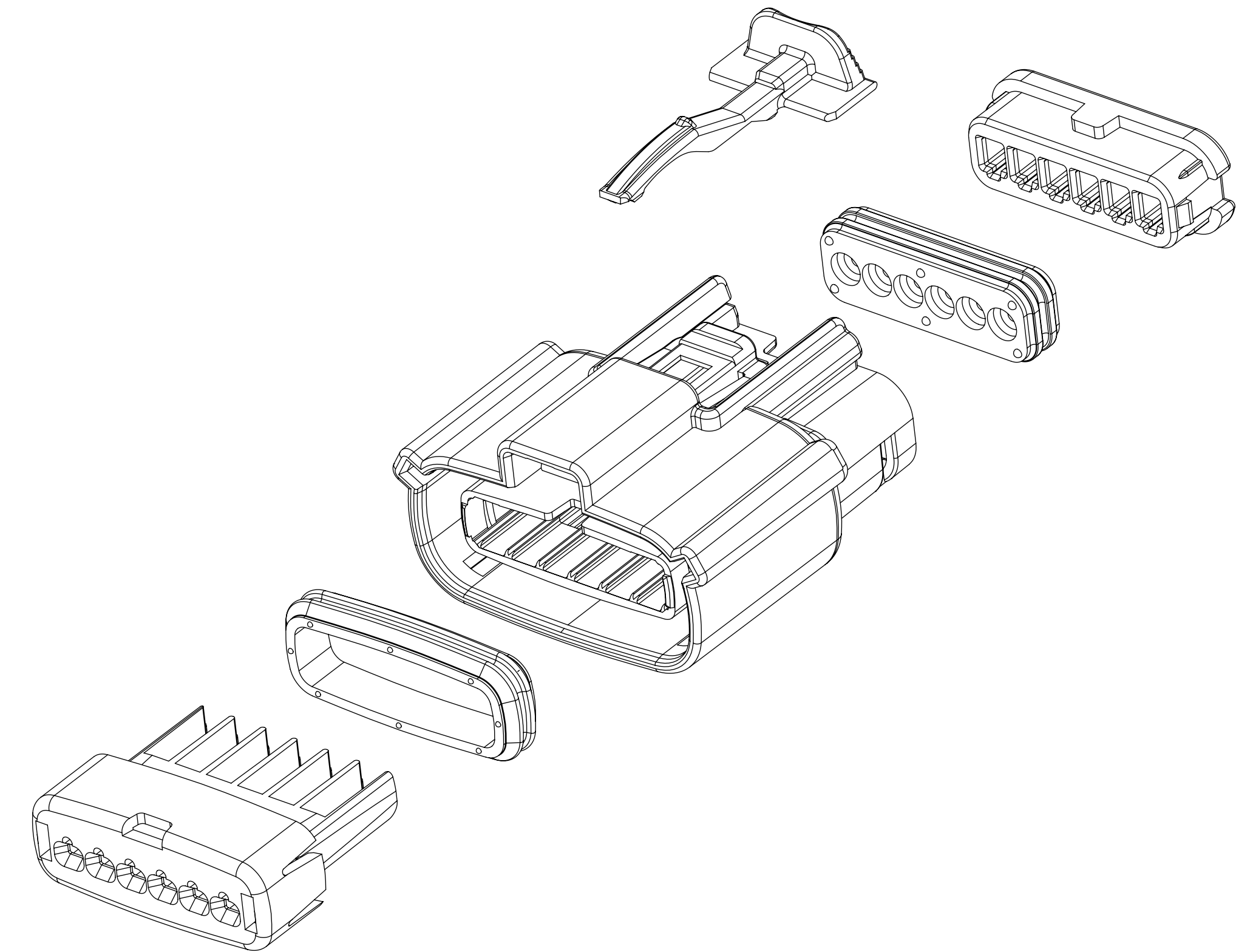
FOR ADDITIONAL INFORMATION SEE SECTION 5 UNDER PROCEDURES IN ES-34735-008.

PACKAGING	
DESCRIPTION	DRAWING NO.
1X2	PK-31300-635
1X6	PK-31300-903

MATING INTERFACE/CONNECTOR DRAWINGS		
DESCRIPTION	INTERFACE DEFINITION	MOLEX INLINE
1X2	*150-S-002-1-Z05	SD-33481-0001
1X6	*150-S-006-1-Z03	SD-33481-0001



1x2



1x6

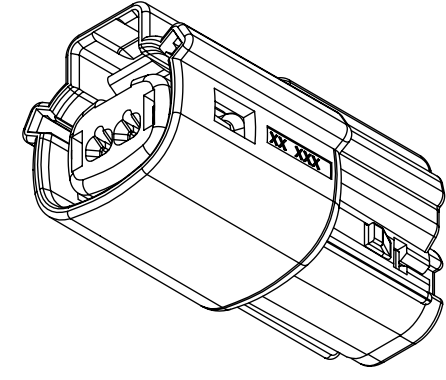
REV	REV DESCRIPTION
A1	UPDATED THE DRAWING FRAME
A	MINOR GEOMETRY CHANGE FOR UL V0
2	UPDATE VIEWSETS
1	INITIAL RELEASE

INSPECTION NUMBER LOG	
LAST NUMBER: 11	ADDED: 11
REMOVED:	

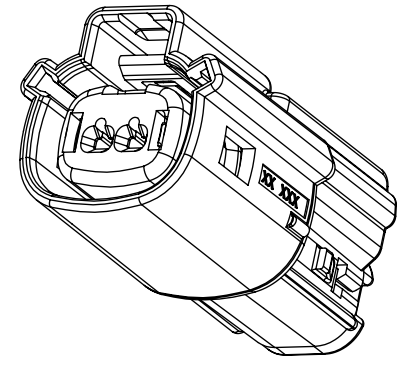
FUNCTIONAL SYMBOLS	THIS DRAWING CONTAINS INFORMATION THAT IS PROPRIETARY TO MOLEX ELECTRONIC TECHNOLOGIES, LLC AND SHOULD NOT BE USED WITHOUT WRITTEN PERMISSION		CURRENT REV DESC:				
	$\nabla_A = 0$ $\nabla_C = 0$ $\nabla_P = 0$	DIMENSION UNITS: mm SCALE: 1.5:1	EC NO: 643941 DRWN: XLDONG03 2020/08/21 CHK'D: JDENG02 2020/08/26 APPR: JDENG02 2020/08/26			MX150 RCPT SINGLE ROW SEALED ASSY MAT SEAL PRODUCT CUSTOMER DRAWING	
DIVISIONAL SYMBOLS	GENERAL TOLERANCES (UNLESS SPECIFIED) ANGULAR TOL $\pm 1.0^\circ$ 4 PLACES \pm 3 PLACES \pm 2 PLACES ± 0.1 1 PLACE ± 0.2 0 PLACES \pm	INITIAL REVISION: DRWN: APROFFITT 2015/11/04 APPR: KDEKOSHI 2016/06/14		DOCUMENT NUMBER: SD-33471-0001 DOC TYPE: PSD DOC PART: 001 REVISION: A1			
DRAFT WHERE APPLICABLE MUST REMAIN WITHIN DIMENSIONS		THIRD ANGLE PROJECTION	DRAWING: D-SIZE	SERIES: 33471	MATERIAL NUMBER: SEE NOTE 2a	CUSTOMER: GENERAL MARKET	SHEET NUMBER: 1 OF 8

SHEET DESCRIPTION

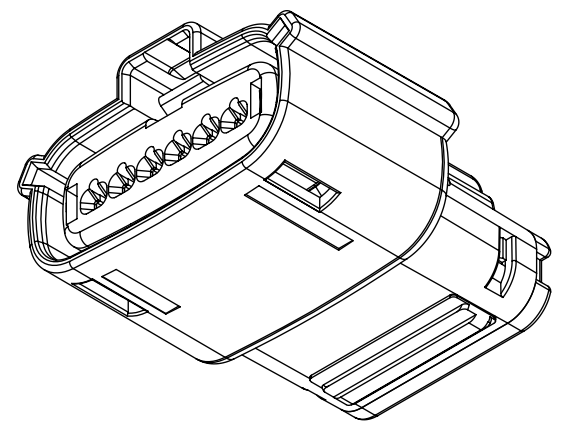
CONFIGURATIONS



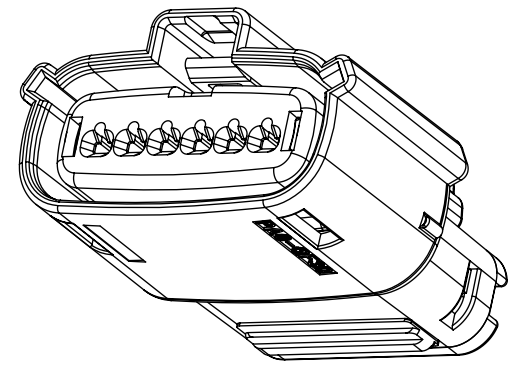
1x2 - STD



1x2 - UL V0*



1x6 - STD



1x6 - UL V0*

*MINOR GEOMETRY DIFFERENCE THAN STANDARD CONFIGURATION
SEE NOTES 1 & 2 FOR MORE INFORMATION

FUNCTIONAL SYMBOLS	THIS DRAWING CONTAINS INFORMATION THAT IS PROPRIETARY TO MOLEX ELECTRONIC TECHNOLOGIES, LLC AND SHOULD NOT BE USED WITHOUT WRITTEN PERMISSION		
	DIMENSION UNITS	SCALE	CURRENT REV DESC:
$\nabla_A = 0$	mm	1.5:1	EC NO: 643941 DRWN: XLDONG03 2020/08/21 CHK'D: JDENG02 2020/08/26 APPR: JDENG02 2020/08/26 INITIAL REVISION: DRWN: APROFFITT 2015/11/04 APPR: KDEKOSKI 2016/06/14
$\nabla_C = 0$	GENERAL TOLERANCES (UNLESS SPECIFIED)		
$\nabla_P = 0$	ANGULAR TOL $\pm 1.0^\circ$		
DIVISIONAL SYMBOLS	4 PLACES	\pm	
	3 PLACES	\pm	
	2 PLACES	± 0.1	
	1 PLACE	± 0.2	
	0 PLACES	\pm	
DRAFT WHERE APPLICABLE MUST REMAIN WITHIN DIMENSIONS		THIRD ANGLE PROJECTION	DRAWING: D-SIZE SERIES: 33471 MATERIAL NUMBER: SEE NOTE 2a CUSTOMER: GENERAL MARKET SHEET NUMBER: 2 OF 8
DOCUMENT STATUS: P1 RELEASE DATE: 2020/08/26 07:23:52			PRODUCT CUSTOMER DRAWING MX150 RCPT SINGLE ROW SEALED ASSY MAT SEAL DOCUMENT NUMBER: SD-33471-0001 DOC TYPE: PSD DOC PART: 001 REVISION: A1

molex

MX150 RCPT
SINGLE ROW SEALED ASSY MAT SEAL

PRODUCT CUSTOMER DRAWING

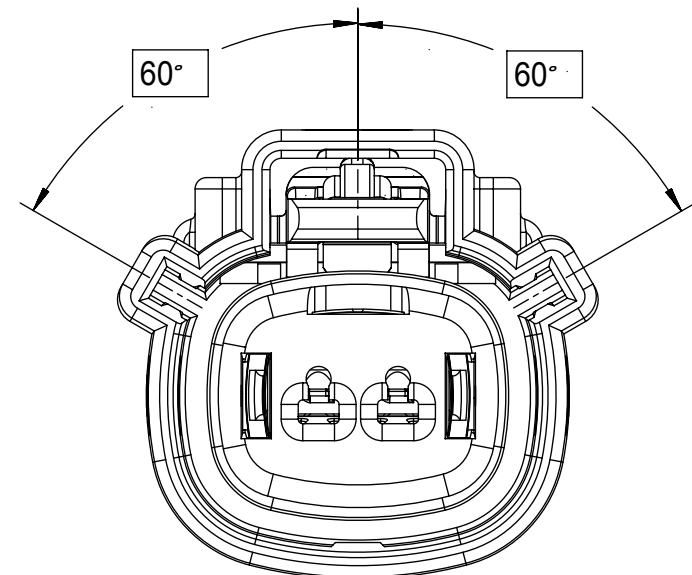
DOCUMENT NUMBER: SD-33471-0001 | DOC TYPE: PSD | DOC PART: 001 | REVISION: A1

DRAWING: D-SIZE | SERIES: 33471 | MATERIAL NUMBER: SEE NOTE 2a | CUSTOMER: GENERAL MARKET | SHEET NUMBER: 2 OF 8

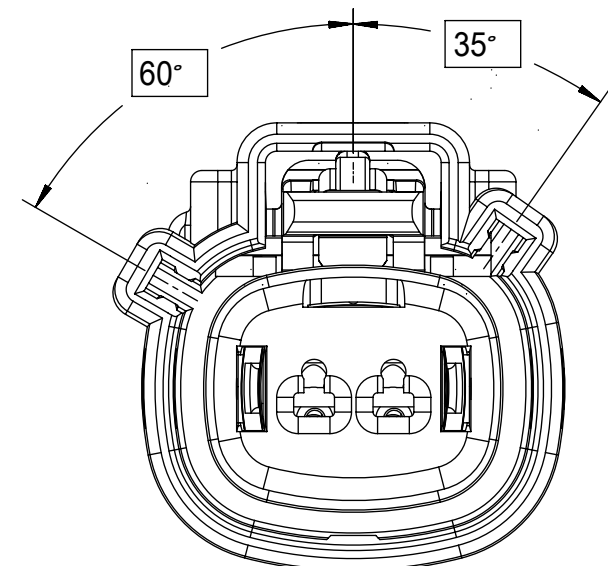
SHEET DESCRIPTION

KEY CONFIGURATIONS

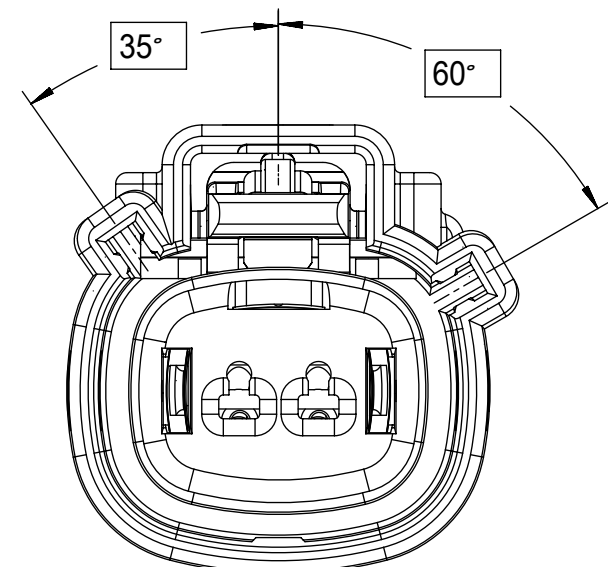
1X2



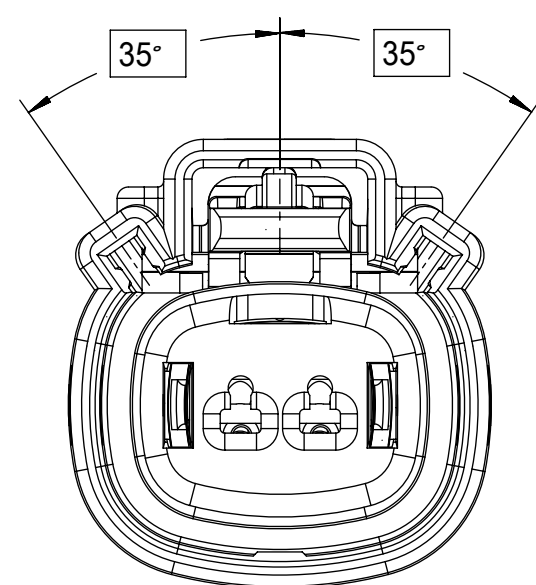
KEY A



KEY B



KEY C



KEY D

THIS DRAWING CONTAINS INFORMATION THAT IS PROPRIETARY TO MOLEX ELECTRONIC TECHNOLOGIES, LLC AND SHOULD NOT BE USED WITHOUT WRITTEN PERMISSION

FUNCTIONAL SYMBOLS	DIMENSION UNITS	SCALE	CURRENT REV DESC:			
$F_A = 0$	mm	3:1				
$F_C = 0$	GENERAL TOLERANCES (UNLESS SPECIFIED)					
$F_P = 0$	ANGULAR TOL $\pm 1.0^\circ$					
DIVISIONAL SYMBOLS	4 PLACES	\pm	EC NO: 643941			
	3 PLACES	\pm	DRWN: XLDONG03 2020/08/21			
	2 PLACES	± 0.1	CHK'D: JDENG02 2020/08/26			
	1 PLACE	± 0.2	APPR: JDENG02 2020/08/26			
	0 PLACES	\pm	INITIAL REVISION: DRWN: APROFFITT 2015/11/04 APPR: KDEKOSKI 2016/06/14			
DRAFT WHERE APPLICABLE MUST REMAIN WITHIN DIMENSIONS	THIRD ANGLE PROJECTION	DRAWING	SERIES	MATERIAL NUMBER	CUSTOMER	SHEET NUMBER
		D-SIZE	33471	SEE NOTE 2a	GENERAL MARKET	3 OF 8

molex

MX150 RCPT
SINGLE ROW SEALED ASSY MAT SEAL

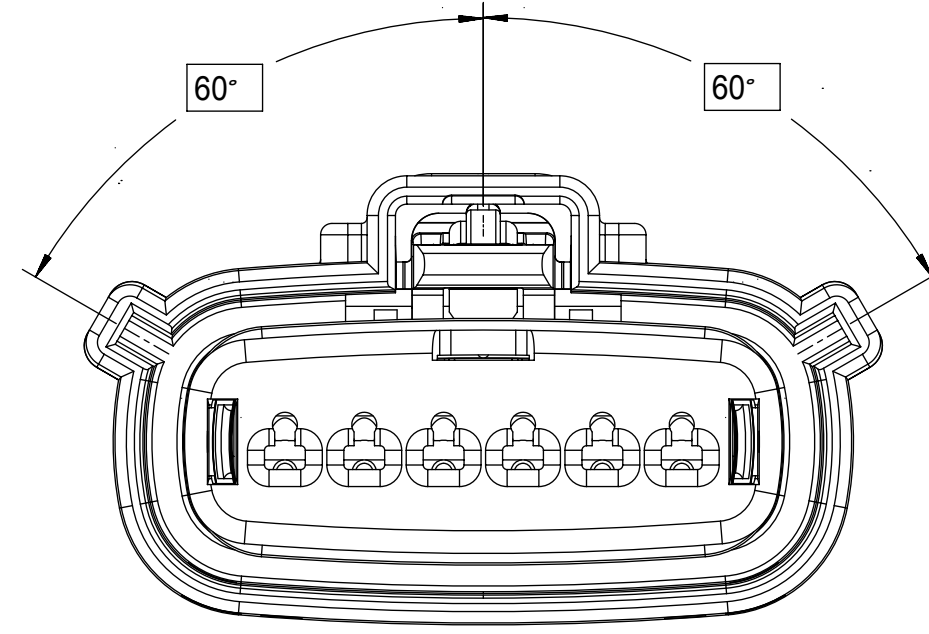
PRODUCT CUSTOMER DRAWING

DOCUMENT NUMBER	DOC TYPE	DOC PART	REVISION
SD-33471-0001	PSD	001	A1

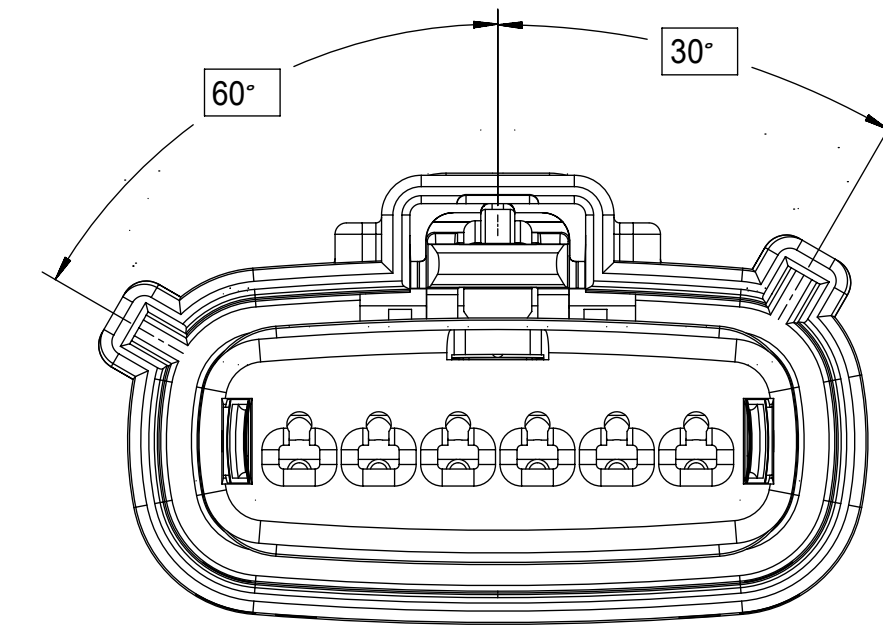
SHEET DESCRIPTION

KEY CONFIGURATIONS CONT.

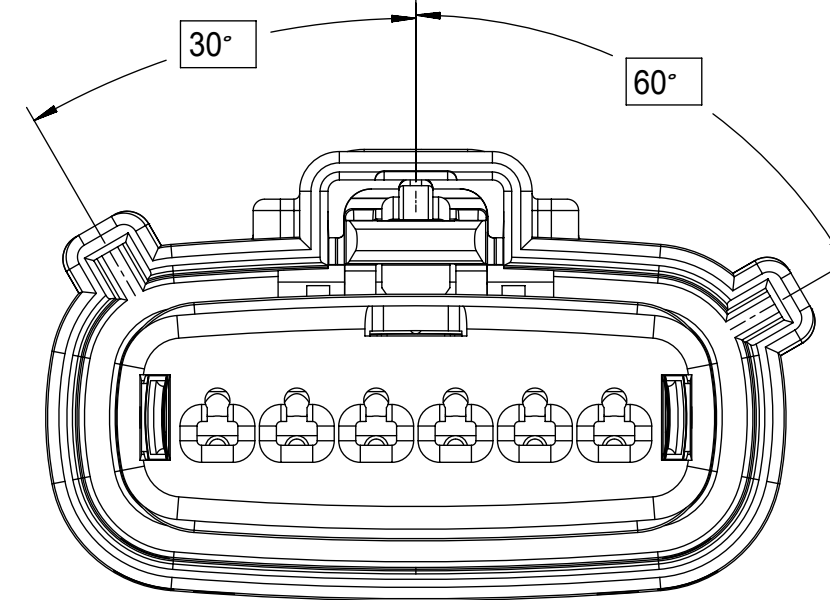
1X6



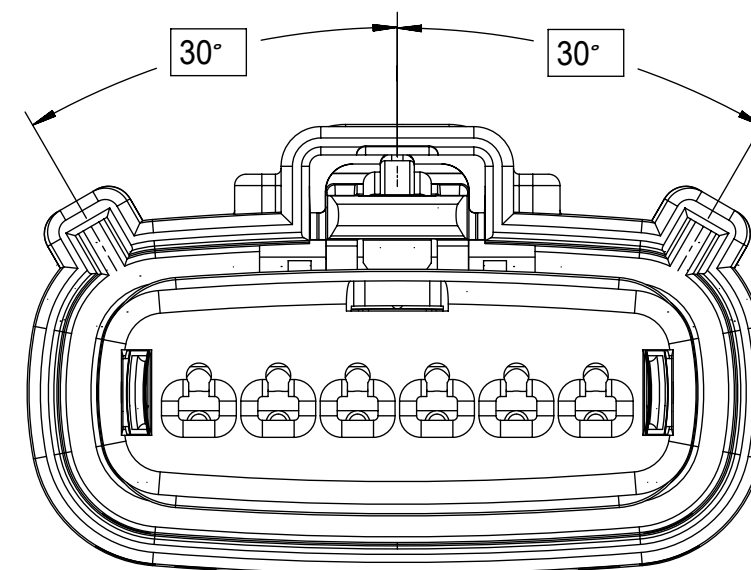
KEY A



KEY B



KEY C



KEY D

FUNCTIONAL SYMBOLS	THIS DRAWING CONTAINS INFORMATION THAT IS PROPRIETARY TO MOLEX ELECTRONIC TECHNOLOGIES, LLC AND SHOULD NOT BE USED WITHOUT WRITTEN PERMISSION		
	DIMENSION UNITS	SCALE	CURRENT REV DESC:
$\nabla_A = 0$	mm	3:1	
$\nabla_C = 0$	GENERAL TOLERANCES (UNLESS SPECIFIED)		
$\nabla_D = 0$	ANGULAR TOL $\pm 1.0^\circ$		
DIVISIONAL SYMBOLS	4 PLACES	\pm	EC NO: 643941
	3 PLACES	\pm	DRWN: XLDONG03 2020/08/21
	2 PLACES	± 0.1	CHK'D: JDENG02 2020/08/26
	1 PLACE	± 0.2	APPR: JDENG02 2020/08/26
	0 PLACES	\pm	INITIAL REVISION: DRWN: APROFFITT 2015/11/04 APPR: KDEKOSKI 2016/06/14
DRAFT WHERE APPLICABLE MUST REMAIN WITHIN DIMENSIONS		THIRD ANGLE PROJECTION	DRAWING SERIES MATERIAL NUMBER CUSTOMER SHEET NUMBER
			D-SIZE 33471 SEE NOTE 2a GENERAL MARKET 4 OF 8

molex

MX150 RCPT
SINGLE ROW SEALED ASSY MAT SEAL

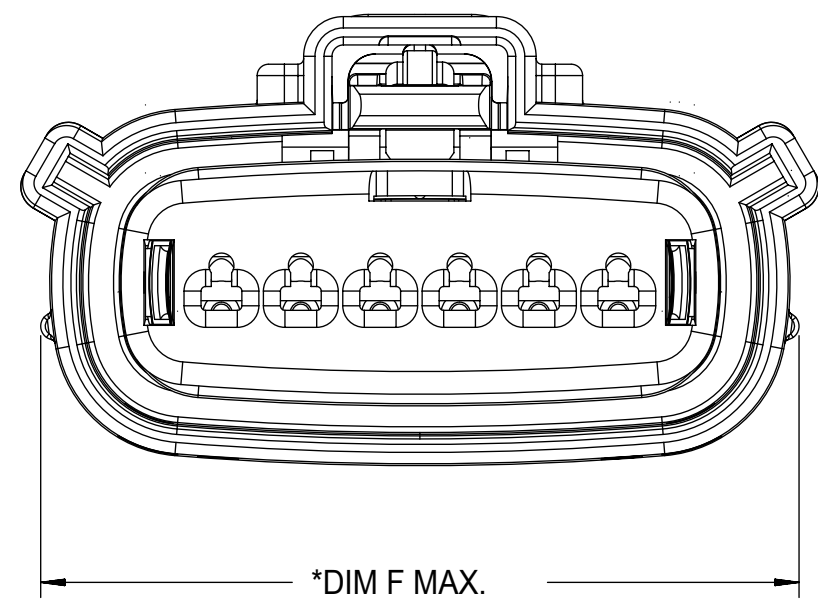
PRODUCT CUSTOMER DRAWING

DOCUMENT NUMBER	DOC TYPE	DOC PART	REVISION
SD-33471-0001	PSD	001	A1

SHEET DESCRIPTION

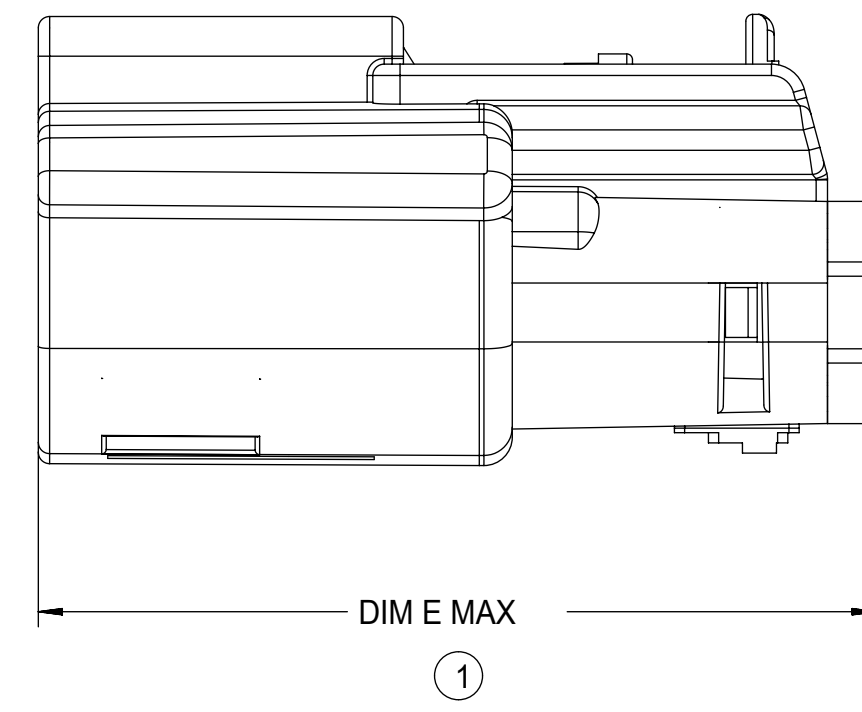
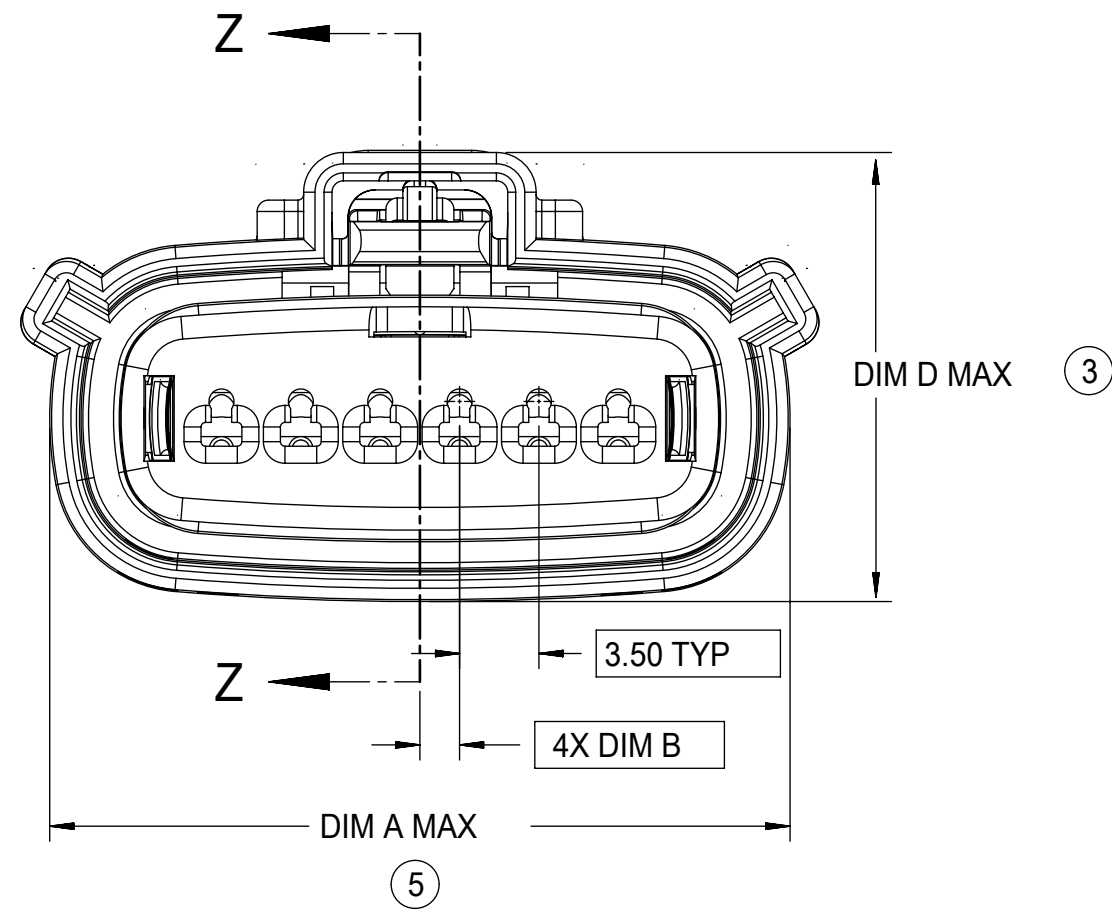
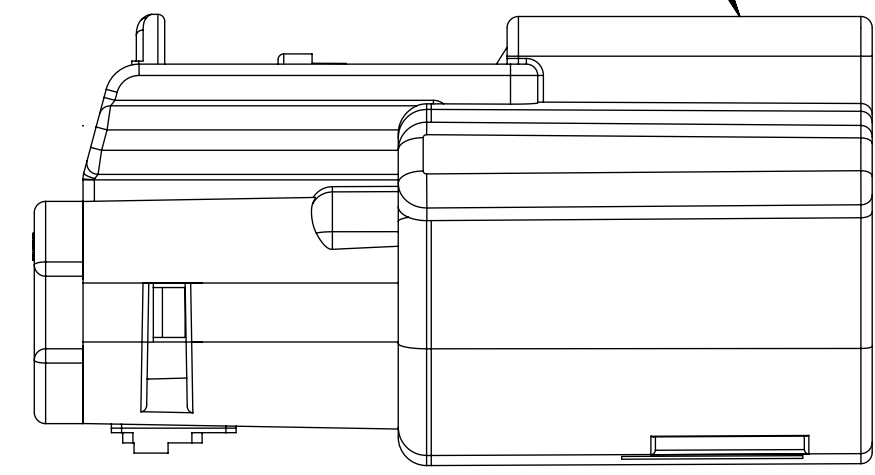
RECEPTACLE CONNECTOR ASSEMBLY - STD

DESCRIPTION	DIMENSIONS					
	A	B	C	D	E	F
1X2	19.40	1.75	21.73	20.55	37.65	19.64
1X6	32.75	1.75	35.21	19.90	37.65	N/A
1X6 UL V0	N/A	1.75	35.23	19.90	37.65	33.64

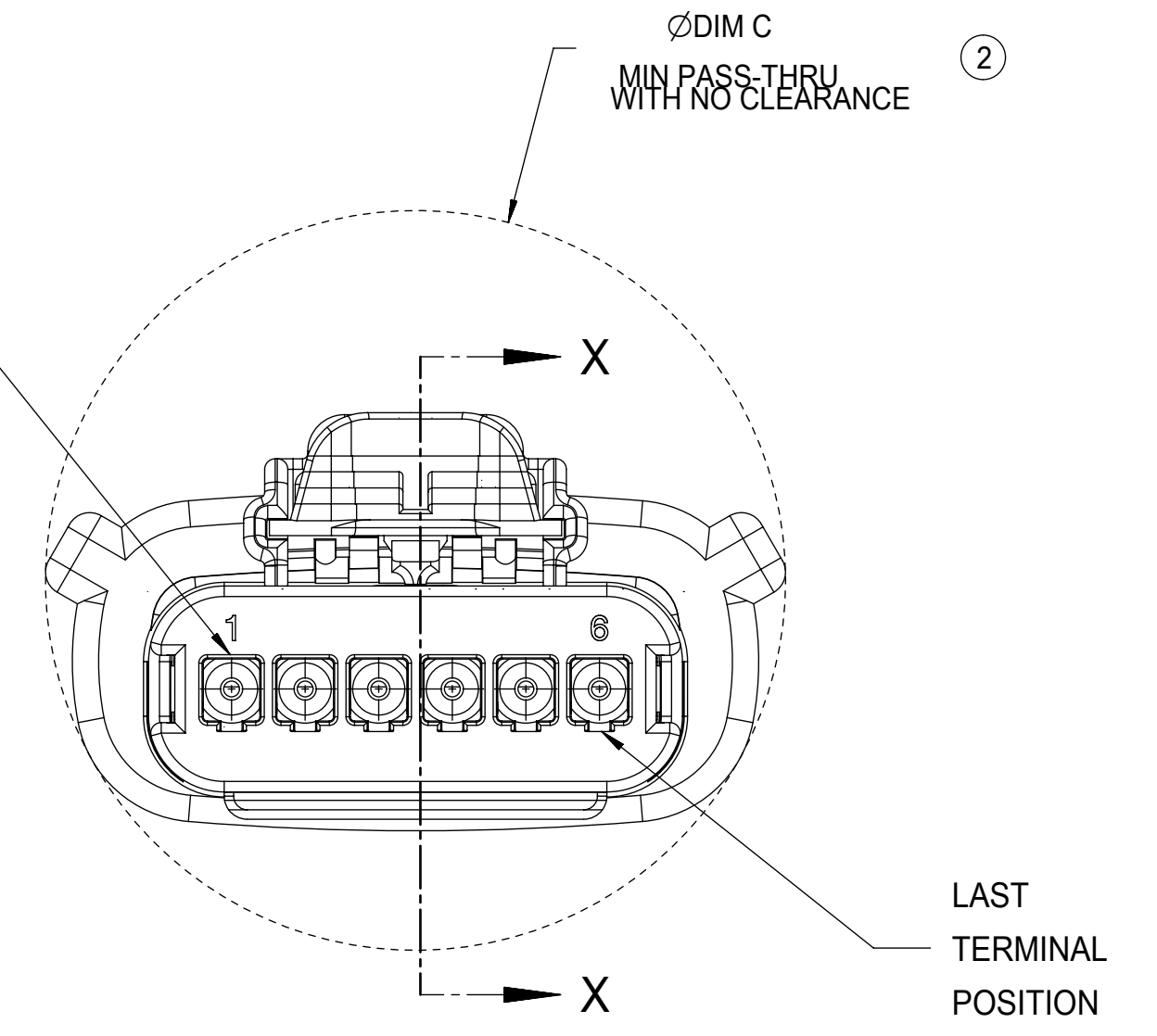


*DIM F MAX.
*APPLIE TO UL V0 CONFIGURATIONS ONLY
①

LASER MARKING ON THIS SURFACE
SEE NOTE 3g.



TERMINAL
POSITION 1

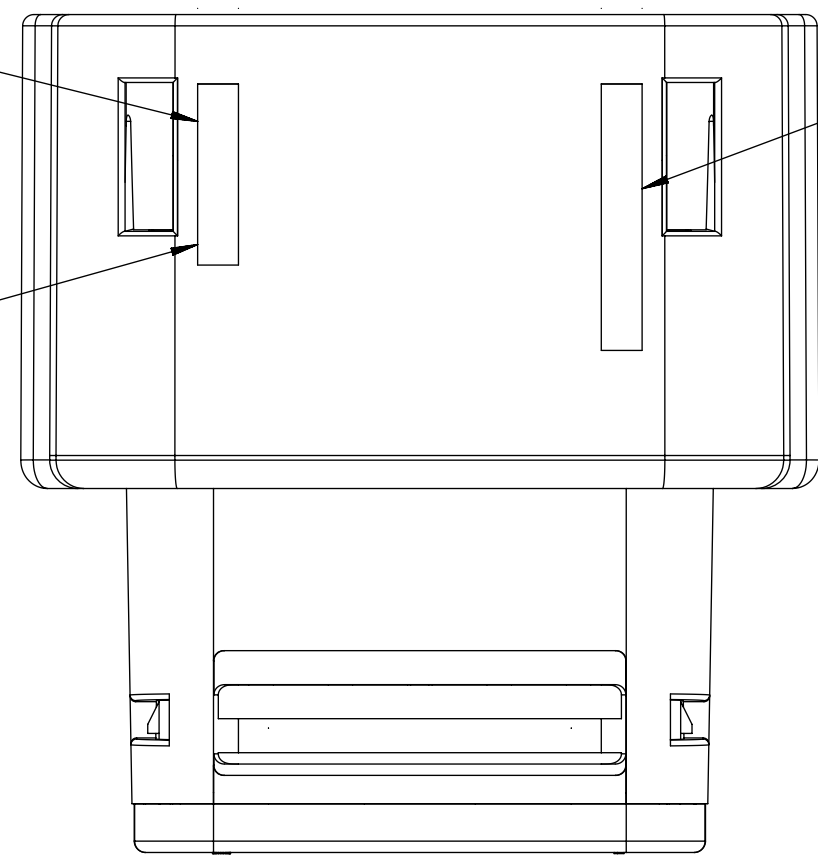


REAR VIEW
(WIRE HARNESS SIDE)

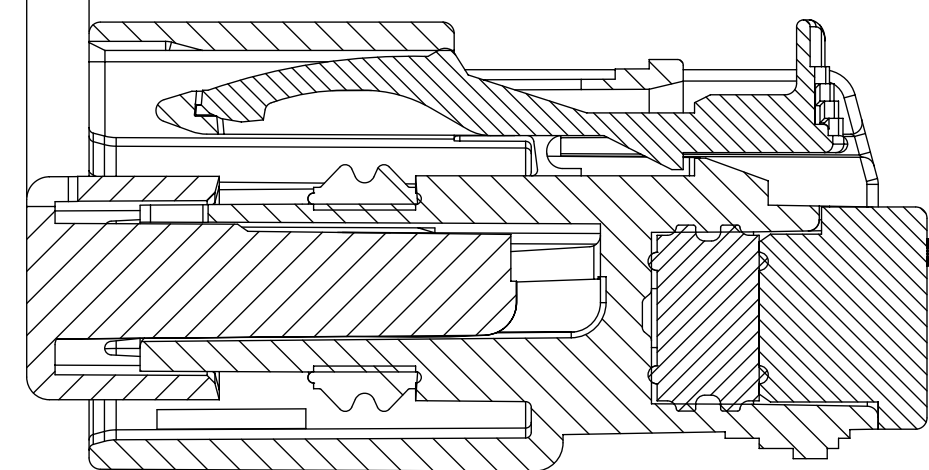
MOLD CAVITY I.D.
THIS LOCATION

RECYCLE CODE
THIS LOCATION

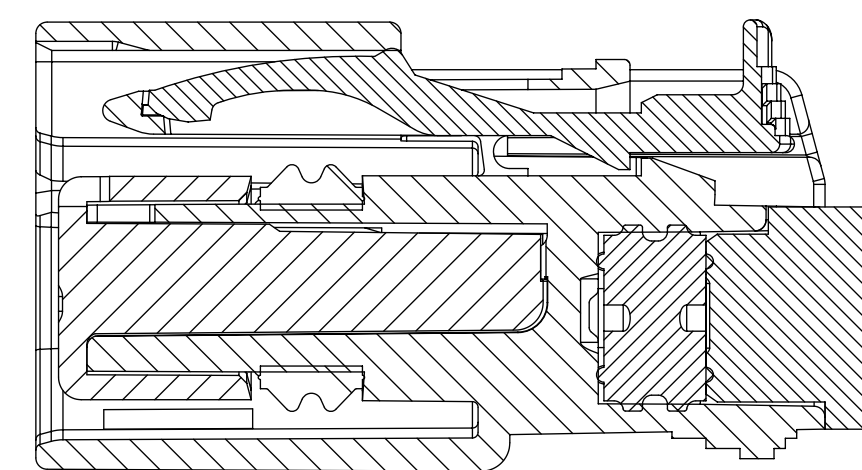
MANUFACTURING LOCATION
CODE THIS LOCATION



2.75±0.50
⑥



PRIMARY LOCK REINFORCEMENT (PLR) SHOWN
IN PRE-STAGED POSITION
SECTION Z-Z



PRIMARY LOCK REINFORCEMENT (PLR) SHOWN
IN FINAL-LOCK POSITION
SECTION X-X

FUNCTIONAL SYMBOLS FA = 0 FC = 0 FD = 0	THIS DRAWING CONTAINS INFORMATION THAT IS PROPRIETARY TO MOLEX ELECTRONIC TECHNOLOGIES, LLC AND SHOULD NOT BE USED WITHOUT WRITTEN PERMISSION		CURRENT REV DESC:		
	DIMENSION UNITS mm	SCALE 3:1			
DIVISIONAL SYMBOLS	GENERAL TOLERANCES (UNLESS SPECIFIED)		EC NO: 643941		MX150 RCPT SINGLE ROW SEALED ASSY MAT SEAL
	ANGULAR TOL ± 1.0°		DRWN: XLDONG03 2020/08/21		
	4 PLACES ±	CHK'D: JDENG02 2020/08/26		PRODUCT CUSTOMER DRAWING	
	3 PLACES ±	APPR: JDENG02 2020/08/26		DOCUMENT NUMBER	
	2 PLACES ± 0.1	INITIAL REVISION:		DOC TYPE	
1 PLACE ± 0.2	DRWN: APROFFITT 2015/11/04		DOC PART		
0 PLACES ±	APPR: KDEKOSKI 2016/06/14		REVISION		
DRAFT WHERE APPLICABLE MUST REMAIN WITHIN DIMENSIONS		THIRD ANGLE PROJECTION	DRAWING D-SIZE	SERIES 33471	MATERIAL NUMBER SEE NOTE 2a
			CUSTOMER GENERAL MARKET	SHEET NUMBER 5 OF 8	

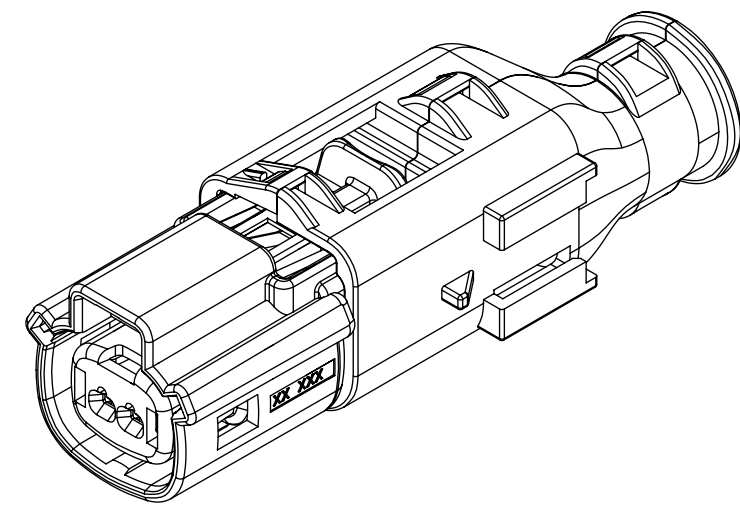
SHEET DESCRIPTION

BACKSHELL NOTES

BACKSHELL NOTES: VALID UNLESS OTHERWISE SPECIFIED

1. GENERAL:

- a. APPLICATION SPECIFICATION SEE: AS-34951-001
 - DESIGNED TO MATE WITH RECEPTACLE SEALED ASSEMBLY SPECIFIED IN MOLEX DRAWING SD-33471-0001.
 - SYSTEM TO BE USED WITH WIRE WITHIN DIAMETER RANGE OF 1.2mm TO 2.69mm.
 - COMPONENTS ARE OPTIONAL AND MUST BE PURCHASED SEPERATELY.
 - BACKSHELL DESIGN IS OWNED BY SCHLEMMER.
 - FOR ADDITIONAL INFORMATION SEE THE BACKSHELL COMPONENT DRAWING SD-34949-0001.



1X2

BACKSHELL CUSTOMER MODEL NUMBER LEGEND

34949-XXXX

CUSTOMER MODEL COMPONENTS

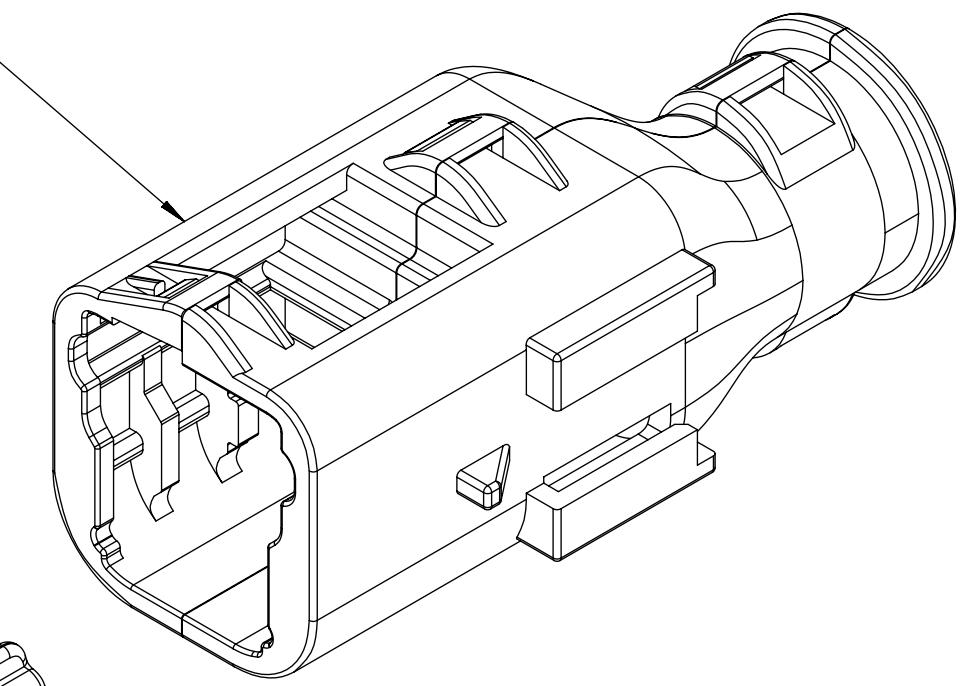
- 0 - BACKSHELL ONLY
- 1 - BACKSHELL & MX150 HOUSING KEY A ASSEMBLY
- 2 - BACKSHELL & MX150 HOUSING KEY B ASSEMBLY
- 3 - BACKSHELL & MX150 HOUSING KEY C ASSEMBLY
- 4 - BACKSHELL & MX150 HOUSING KEY D ASSEMBLY

BACKSHELL FEATURES

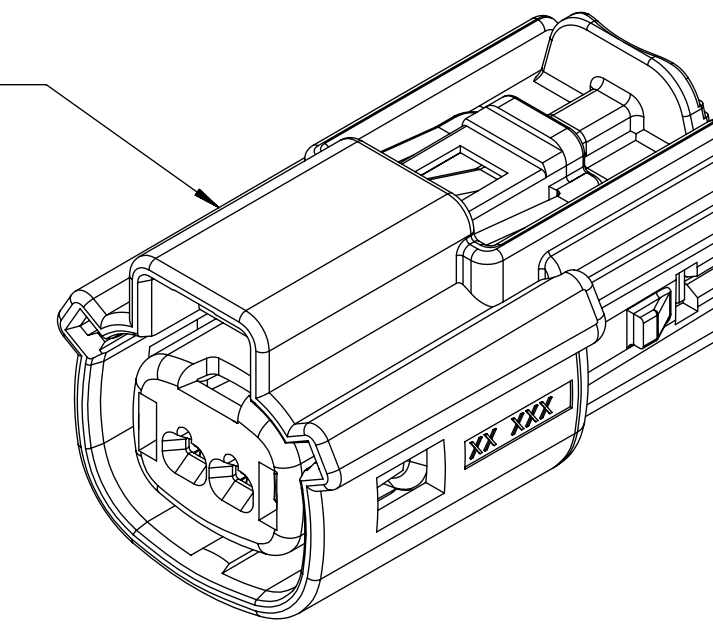
- 1 - WITH RIBS
- 2 - WITHOUT RIBS

MX150 CIRCUIT SIZE 02, 03, 04, 05, 06

BACKSHELL (BKS)



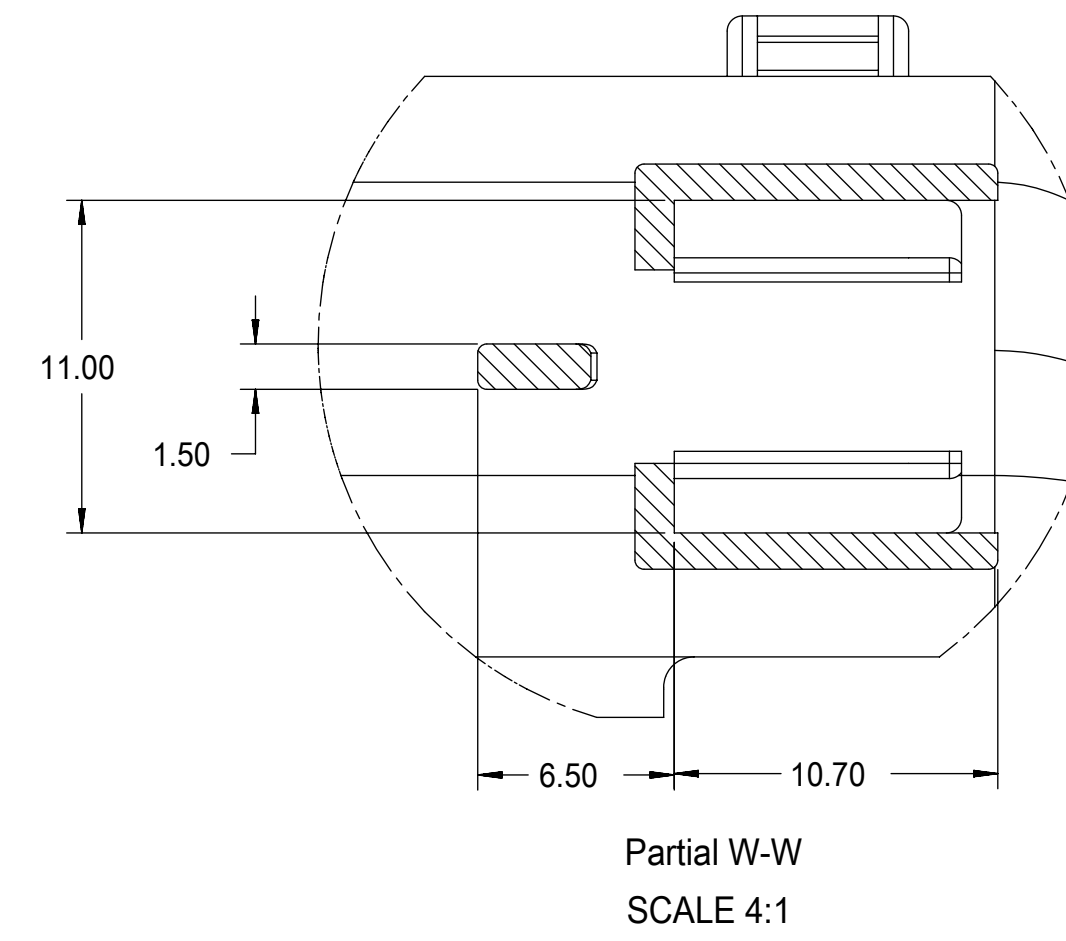
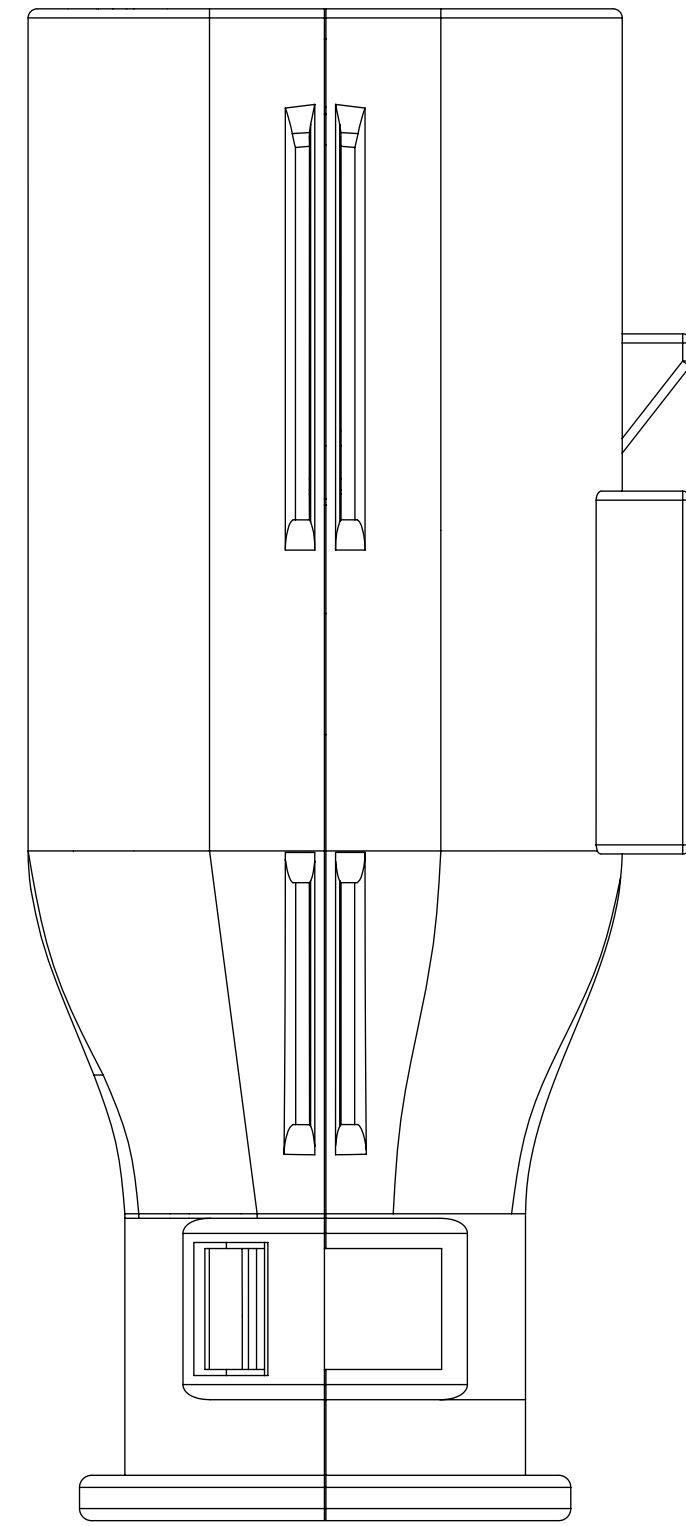
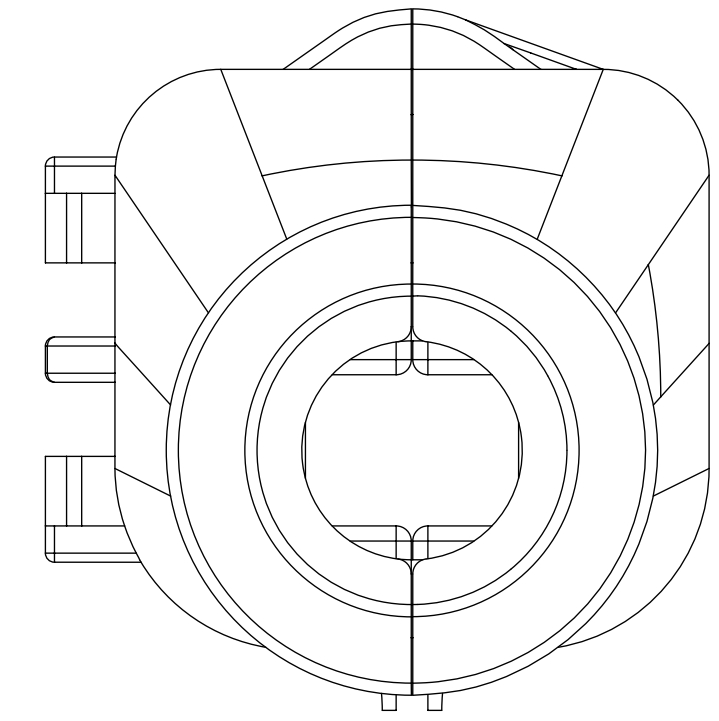
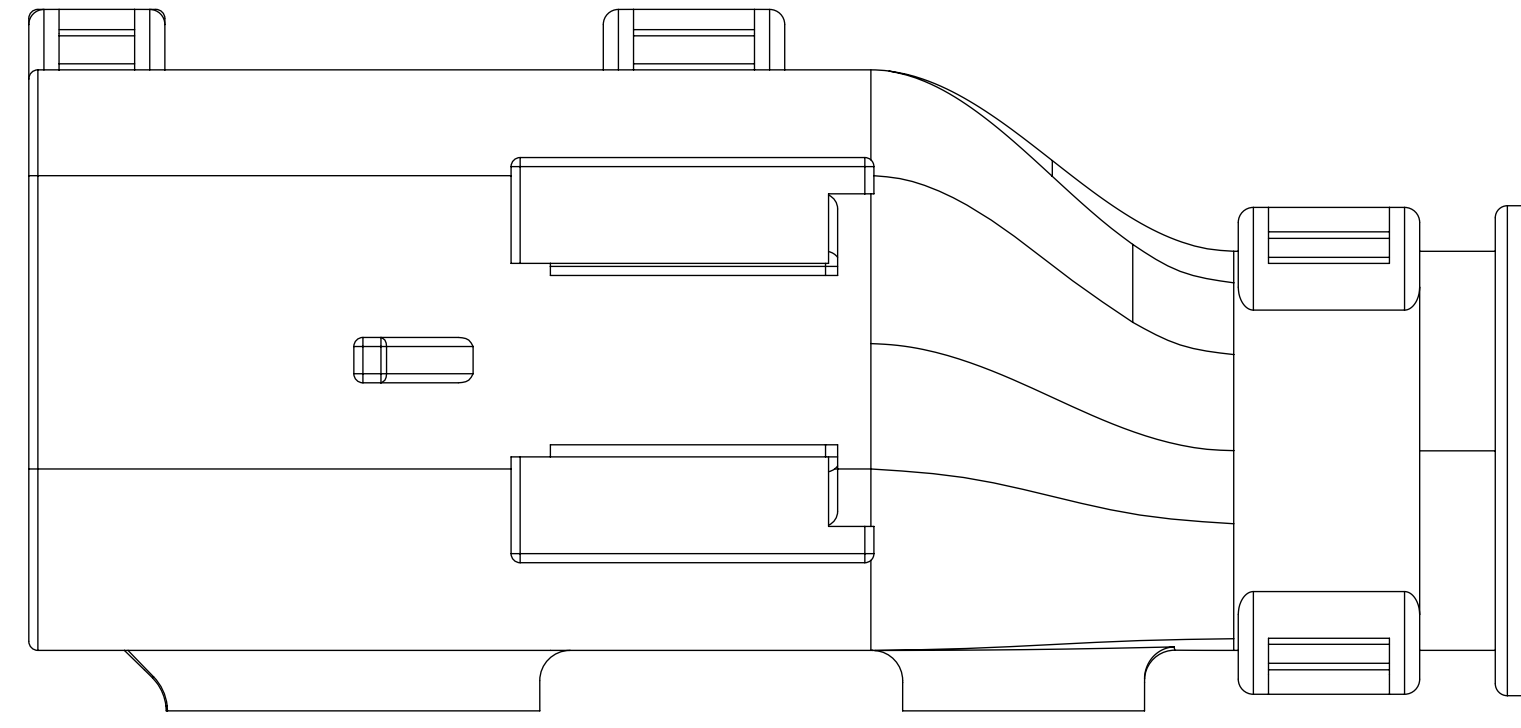
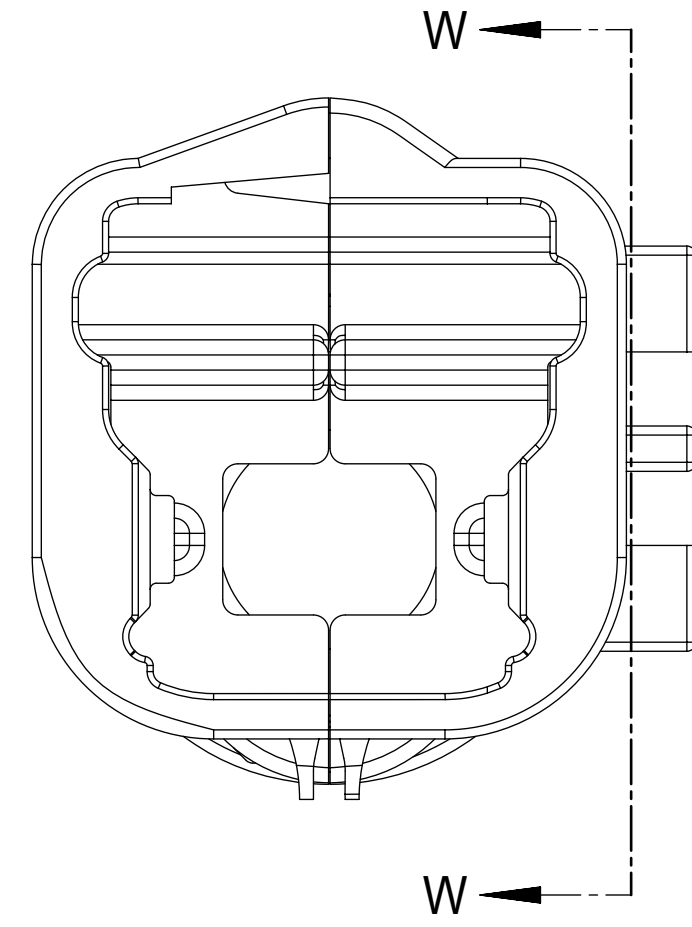
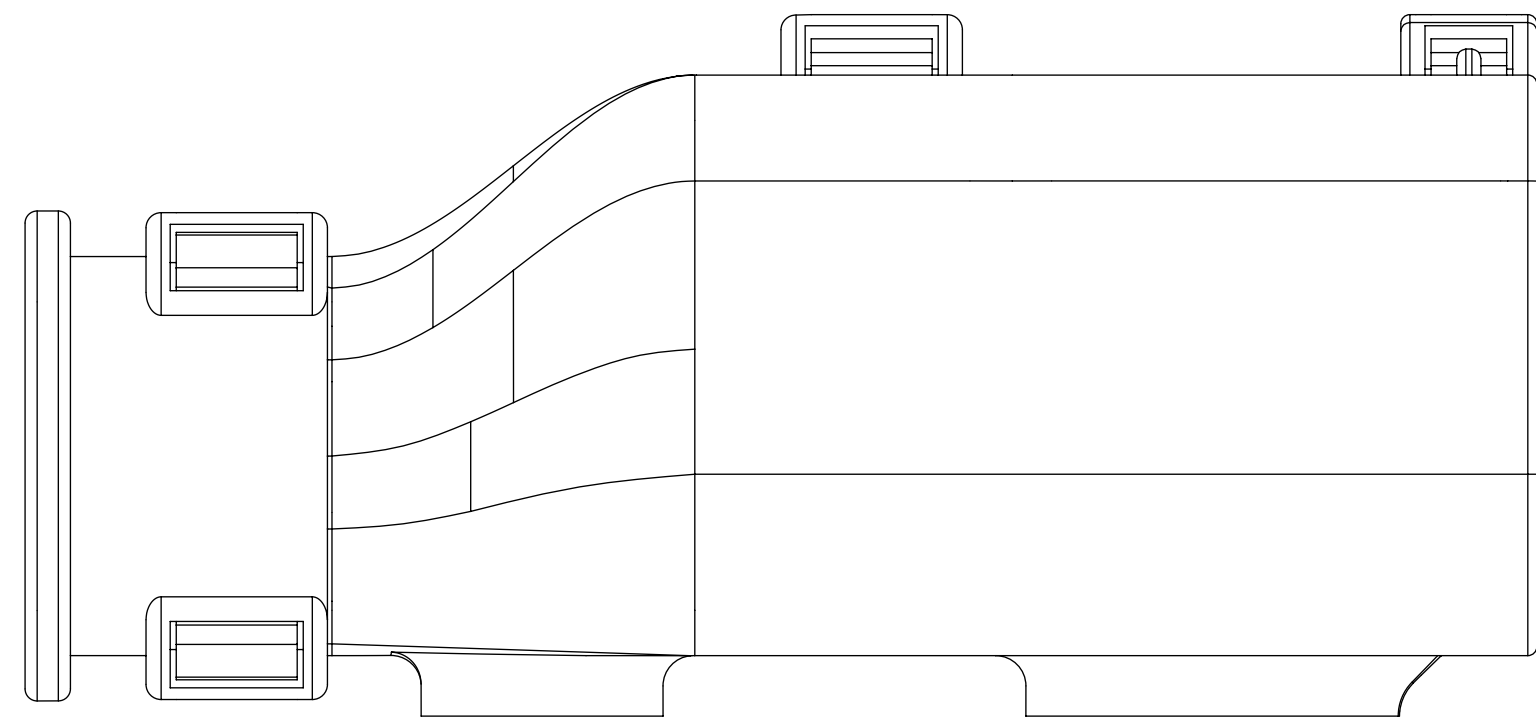
RECEPTACLE SEALED ASSEMBLY



FUNCTIONAL SYMBOLS	THIS DRAWING CONTAINS INFORMATION THAT IS PROPRIETARY TO MOLEX ELECTRONIC TECHNOLOGIES, LLC AND SHOULD NOT BE USED WITHOUT WRITTEN PERMISSION		
	DIMENSION UNITS	SCALE	CURRENT REV DESC:
$\nabla_A = 0$	mm	4:1	EC NO: 643941 DRWN: XLDONG03 2020/08/21 CHK'D: JDENG02 2020/08/26 APPR: JDENG02 2020/08/26
$\nabla_C = 0$	GENERAL TOLERANCES (UNLESS SPECIFIED)		
$\nabla_D = 0$	ANGULAR TOL $\pm 1.0^\circ$		INITIAL REVISION: DRWN: APROFFITT 2015/11/04 APPR: KDEKOSKI 2016/06/14
DIVISIONAL SYMBOLS	4 PLACES	\pm	
	3 PLACES	\pm	DOCUMENT NUMBER SD-33471-0001
	2 PLACES	± 0.1	
	1 PLACE	± 0.2	DOC PART 001
	0 PLACES	\pm	REVISION A1
DRAFT WHERE APPLICABLE MUST REMAIN WITHIN DIMENSIONS	THIRD ANGLE PROJECTION	DRAWING D-SIZE	SERIES 33471
		MATERIAL NUMBER SEE NOTE 2a	CUSTOMER GENERAL MARKET
			SHEET NUMBER 6 OF 8

SHEET DESCRIPTION

BACKSHELL



FUNCTIONAL SYMBOLS $F_A = 0$ $F_C = 0$ $F_P = 0$	THIS DRAWING CONTAINS INFORMATION THAT IS PROPRIETARY TO MOLEX ELECTRONIC TECHNOLOGIES, LLC AND SHOULD NOT BE USED WITHOUT WRITTEN PERMISSION		CURRENT REV DESC:			
	DIMENSION UNITS mm	SCALE 4:1	EC NO: 643941 DRWN: XLDONG03 2020/08/21 CHK'D: JDENG02 2020/08/26 APPR: JDENG02 2020/08/26			MX150 RCPT SINGLE ROW SEALED ASSY MAT SEAL
	GENERAL TOLERANCES (UNLESS SPECIFIED) ANGULAR TOL $\pm 1.0^\circ$		INITIAL REVISION: DRWN: APROFFITT 2015/11/04 APPR: KDEKOSKI 2016/06/14			
	DIVISIONAL SYMBOLS 4 PLACES \pm 3 PLACES \pm 2 PLACES ± 0.1 1 PLACE ± 0.2 0 PLACES \pm	DRAFT WHERE APPLICABLE MUST REMAIN WITHIN DIMENSIONS		THIRD ANGLE PROJECTION		DRAWING D-SIZE

DOCUMENT NUMBER	DOC TYPE	DOC PART	REVISION
SD-33471-0001	PSD	001	A1

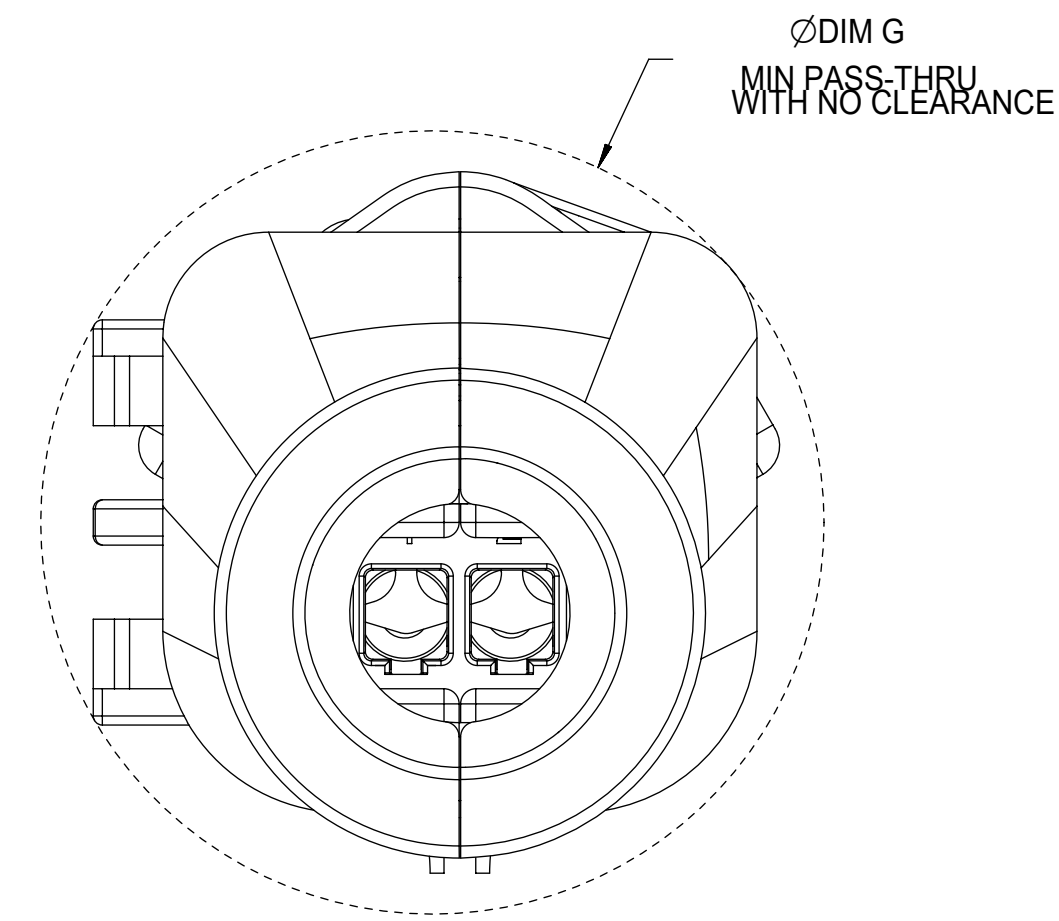
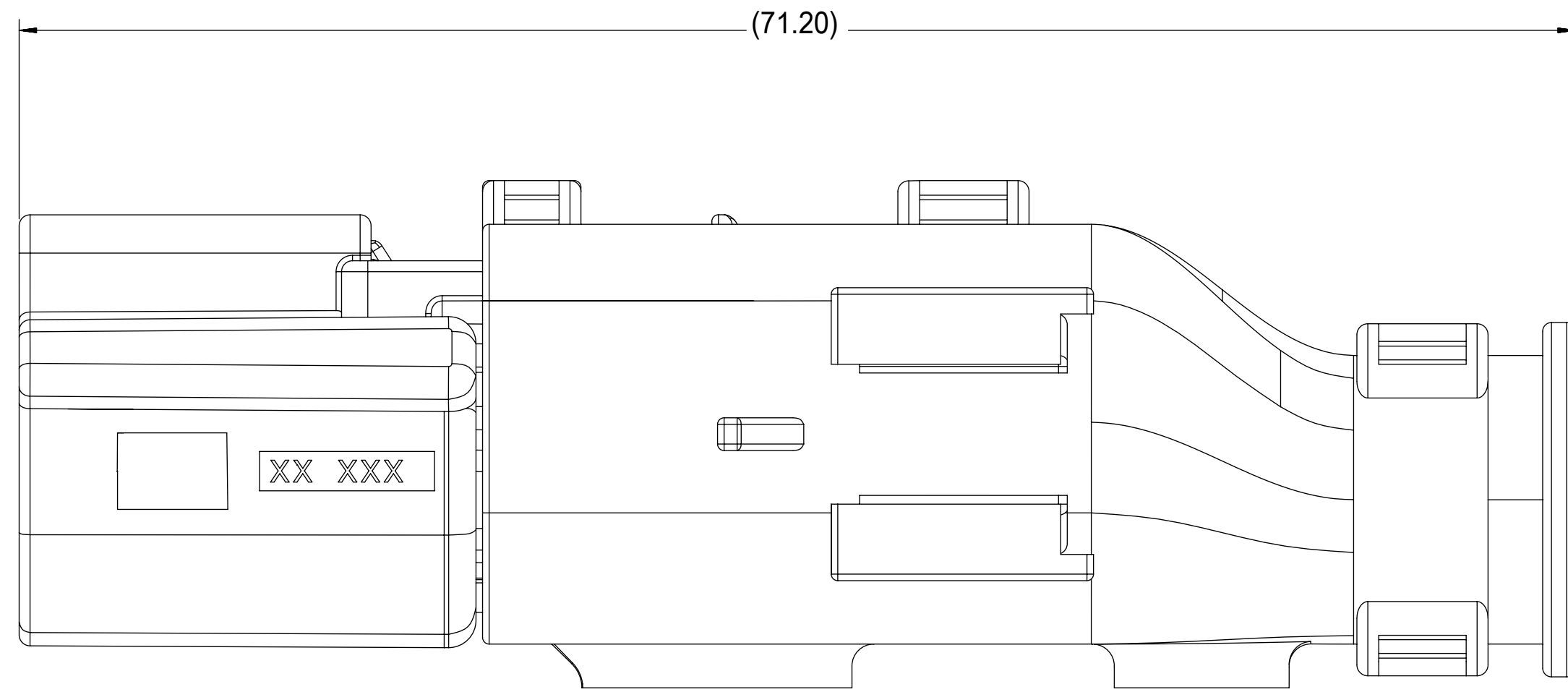
DOCUMENT STATUS	P1	RELEASE DATE	2020/08/26 07:23:52
-----------------	----	--------------	---------------------

SHEET DESCRIPTION

BACKSHELL CONFIGURATIONS

CHARTED DIMENSIONS

DESCRIPTION	DIMENSIONS
	G
1X2	26.00



RECEPTACLE SEALED ASSEMBLY WITH RECEPTACLE BACKSHELL

FUNCTIONAL SYMBOLS FA = 0 FC = 0 FP = 0 DIVISIONAL SYMBOLS	THIS DRAWING CONTAINS INFORMATION THAT IS PROPRIETARY TO MOLEX ELECTRONIC TECHNOLOGIES, LLC AND SHOULD NOT BE USED WITHOUT WRITTEN PERMISSION		CURRENT REV DESC:				
	DIMENSION UNITS	SCALE	EC NO: 643941				
	mm	4:1	DRWN: XLDONG03 2020/08/21				
	GENERAL TOLERANCES (UNLESS SPECIFIED)		CHK'D: JDENG02 2020/08/26				
	ANGULAR TOL ± 1.0°		APPR: JDENG02 2020/08/26				
4 PLACES ±		INITIAL REVISION:		DOCUMENT NUMBER	DOC TYPE	DOC PART	REVISION
3 PLACES ±		DRWN: APROFFITT 2015/11/04		SD-33471-0001	PSD	001	A1
2 PLACES ± 0.1		APPR: KDEKOSKI 2016/06/14		PRODUCT CUSTOMER DRAWING			
1 PLACE ± 0.2		DRAFT WHERE APPLICABLE MUST REMAIN WITHIN DIMENSIONS		SEE NOTE 2a			
0 PLACES ±		THIRD ANGLE PROJECTION		GENERAL MARKET			
DRAFT WHERE APPLICABLE MUST REMAIN WITHIN DIMENSIONS		DRAWING		SERIES		SHEET NUMBER	
		D-SIZE		33471		8 OF 8	

TABLE OF CONTENTS

SHEET NO.	SHEET DESCRIPTION
1	NOTES AND BOM
2	POLARIZATIONS
3	RCPT CONNECTOR ASSY
4	BOM SHEET 1
5	BOM SHEET 2
6	BOM SHEET 3

NOTES: VALID UNLESS OTHERWISE SPECIFIED

1. GENERAL:

a. APPLICATION SPECIFICATION SEE: AS-33472-100

- CONTAINS: PRODUCT INTRODUCTION, PRODUCT SUMMARY, CONNECTOR ASSEMBLY, PACKAGING INFORMATION, CONNECTOR MATING, SERVICE INSTRUCTIONS, ELECTRICAL CONTINUITY CHECKING, CRIMPING, AND TROUBLESHOOTING.
- DESIGNED TO MATE WITH DEVICE CONNECTION AS SPECIFIED IN DRAWING EWCAP 150-S-006-1-Z03, AVAILIBLE AT <http://ewcap.uscarteams.org/>.
- DESIGNED TO MATE WITH BLADE SEALED ASSEMBLY AS SPECIFIED IN DRAWING SD-33481-061
- FOR 1.5mm RECEPTACLE TERMINALS TO BE USED WITH THIS ASSEMBLY. SEE MOLEX DRAWING SD-33012-002.
- SYSTEM TO BE USED WITH WIRE WITHIN DIAMETER RANGE OF 1.2 mm TO 2.69 mm.
- ASSEMBLY SHIPPED WITH PLR AND CPA IN PRE-LOCK POSITION (SEE SECTION Z-Z PRE-LOCK).
- IN THE EVENT THAT THE PLR IS FOUND IN THE SEATED (FINAL LOCK) POSITION, REFER TO MOLEX SPECIFICATION PS-34646-001, AVAILABLE AT www.molex.com <http://www.molex.com>.
- ASSEMBLY CONFORMS TO SAE/USCAR-2 REV.4 WITH THE FOLLOWING EXCEPTIONS: ENGAGEMENT FORCE TO MOVE CPA FROM PRE-LOCK TO FINAL LOCK POSITION WHEN UNMATED: 40N MIN. DISENGAGEMENT FORCE TO MOVE CPA FROM FINAL LOCK TO PRE-LOCK POSITION: 3N MIN, 40N MAX TERMINAL INSERTION FORCE FOR WIRE DIAMETER ABOVE 2.5mm NOT EXCEEDING 2.69mm SHALL NOT EXCEED 40 NEWTONS.

b. PRODUCT SPECIFICATION SEE: PS-33471-000

- CONTAINS: PRODUCT INTRODUCTION, PRODUCT SUMMARY, RATINGS (CURRENT, TEMPERATURE, SEALING, AND FLAMMABILITY), AND PRODUCT VALIDATION.

c. PACKAGING SPECIFICATION PER MOLEX DRAWING: PK-31300-903

d. PARTS MUST BE IN COMPLIANCE TO MOLEX CHEMICAL SUBSTANCES FOR PRODUCTS AND PACKAGING SPECIFICATION: ES-40000-5016

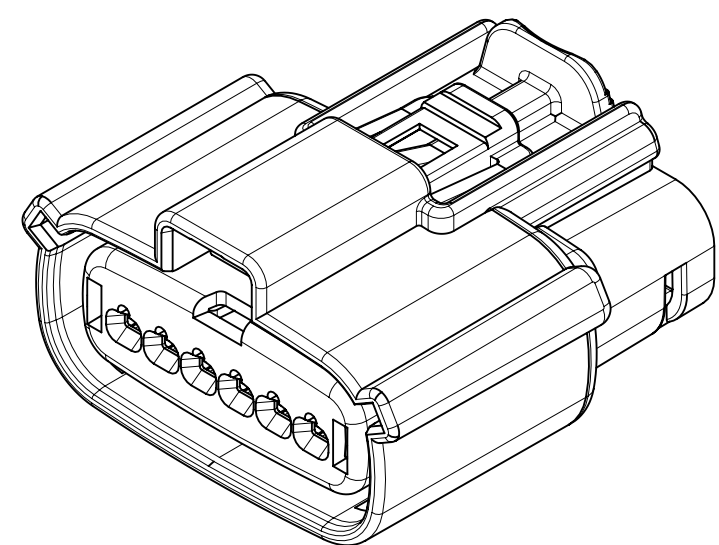
e. DATA MUST BE SUBMITTED UNDER THE MOLEX PART NUMBER TO IMDS (COMPANY ID#13255)

2. DESIGN - MATERIALS:

- a. CONNECTOR HOUSING, GROMMET CAP, PLR: SPS/NYLON BLEND 20% GLASS FILLED
- b. CPA: PBT 20% GLASS FILLED
- c. MAT SEAL AND RING SEAL: INHERENTLY LUBRICATED SILICONE

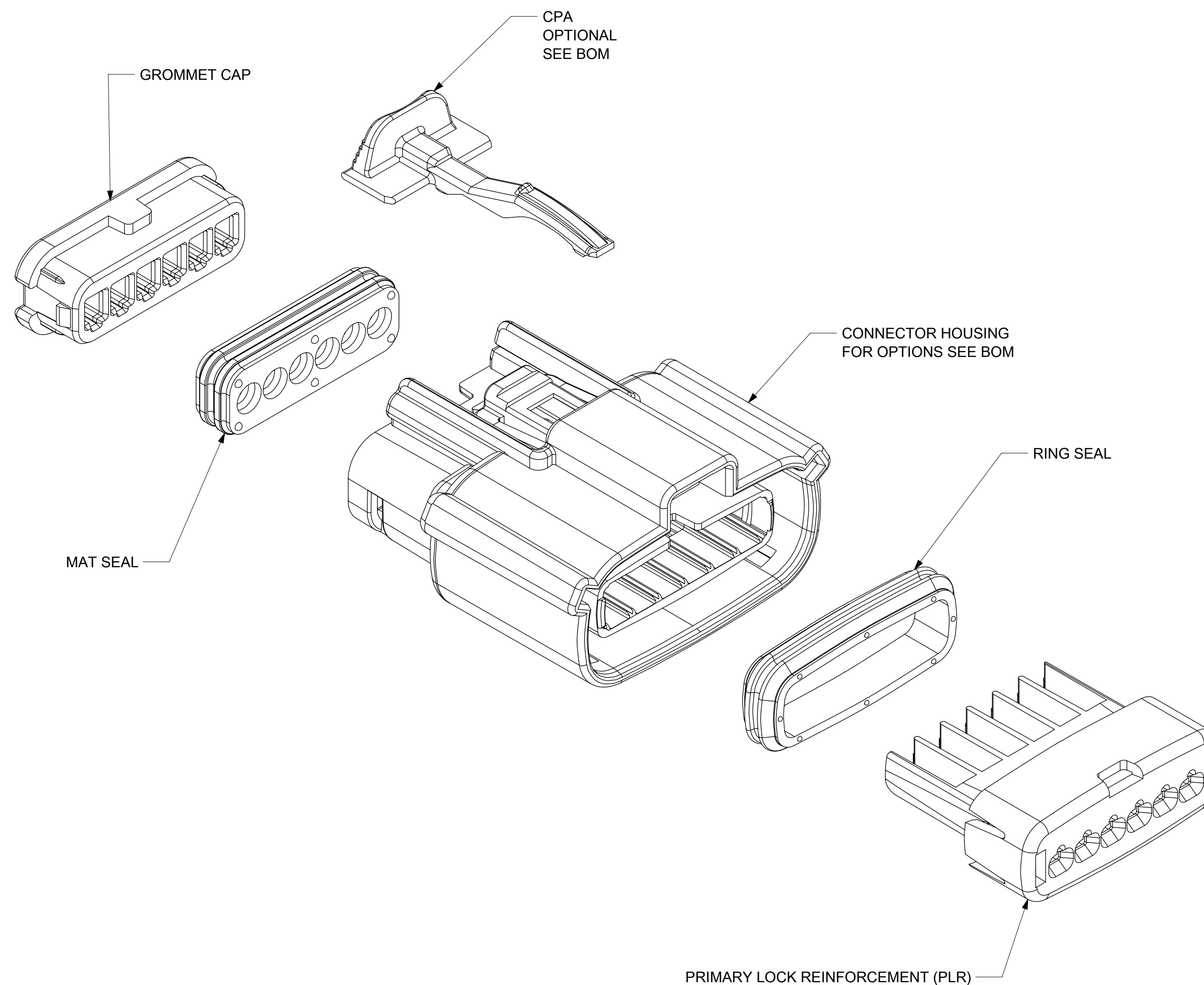
3. DESIGN - GEOMETRY:

- a. THIS IS A 100% CAD GENERATED PART. THE CAD MATHEMATICAL DATA IS THE MASTER FOR THIS PART. FOR DIMENSIONAL OR ANY INFORMATION NOT SHOWN ON THIS DRAWING, ANALYZE THE CAD MODEL.
- b. GEOMETRIC DIMENSIONS AND TOLERANCES PER ASME Y14.5M - 1994
- c. EDGES AND UNDIMENSIONED DETAILS PER ISO13715
- d. CORNERS SHOWN AS SHARP TO BE R 0.2 MAX.
- e. LETTERING SHALL BE 0.15 MAX RAISED IN 0.25 MAX RECESS PAD. THIS INCLUDES RECYCLING CODE, CAVITY ID, VENDOR IDENTIFICATION, AND CUSTOMER MATERIAL NUMBER.
- f. VISUAL DEFECTS SHALL MEET COSMETIC STANDARD PS-45499-002 (Class B)
- g. LASER MARKING: TBD



MATING INTERFACE CHART

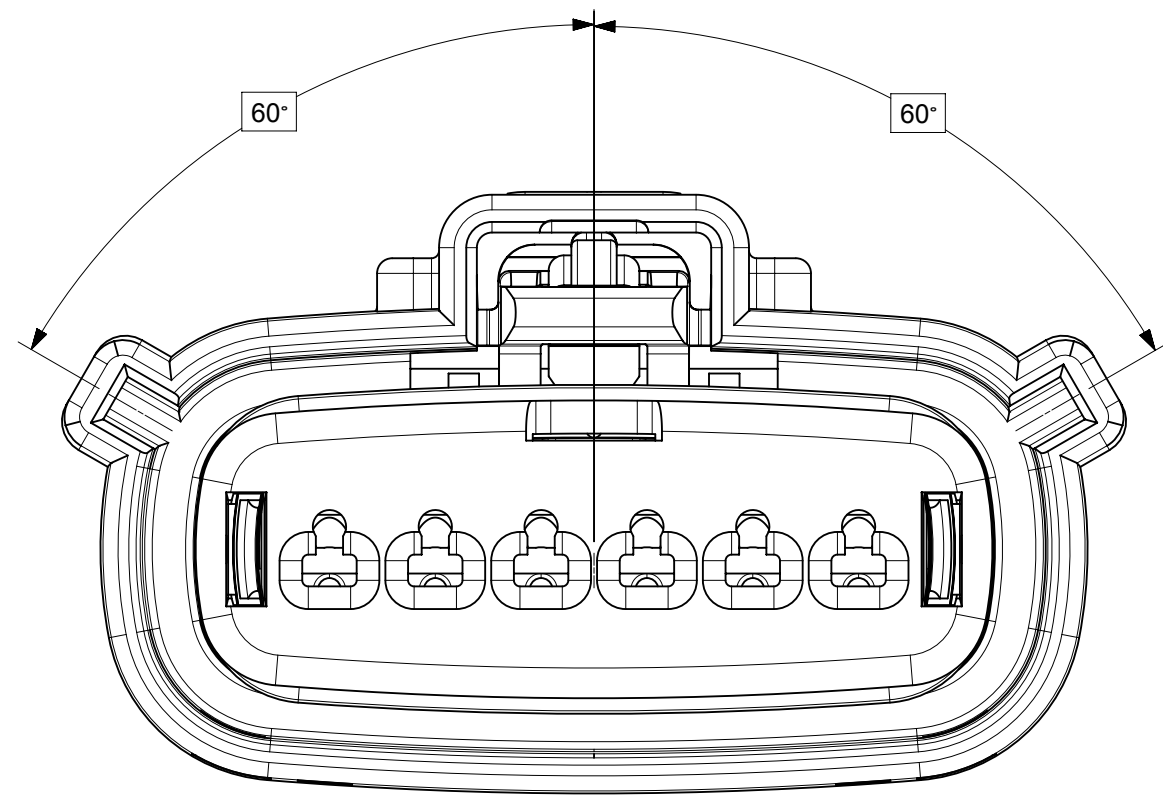
DESCRIPTION	CIRCUIT SIZE	SERIES	COLOR	INTERFACE MODEL NUMBER	STATUS
MX150 1X6 RCPT ASSY, KEY A	6	33471	BLACK	CM-150-S-006-1-A03	SALEABLE
MX150 1X6 RCPT ASSY, KEY B	6	33471	DARK GRAY	CM-150-S-006-1-B03	SALEABLE
MX150 1X6 RCPT ASSY, KEY C	6	33471	LIGHT GRAY	CM-150-S-006-1-C03	SALEABLE
MX150 1X6 RCPT ASSY, KEY D	6	33471	BLACK	CM-150-S-006-1-D03	SALEABLE



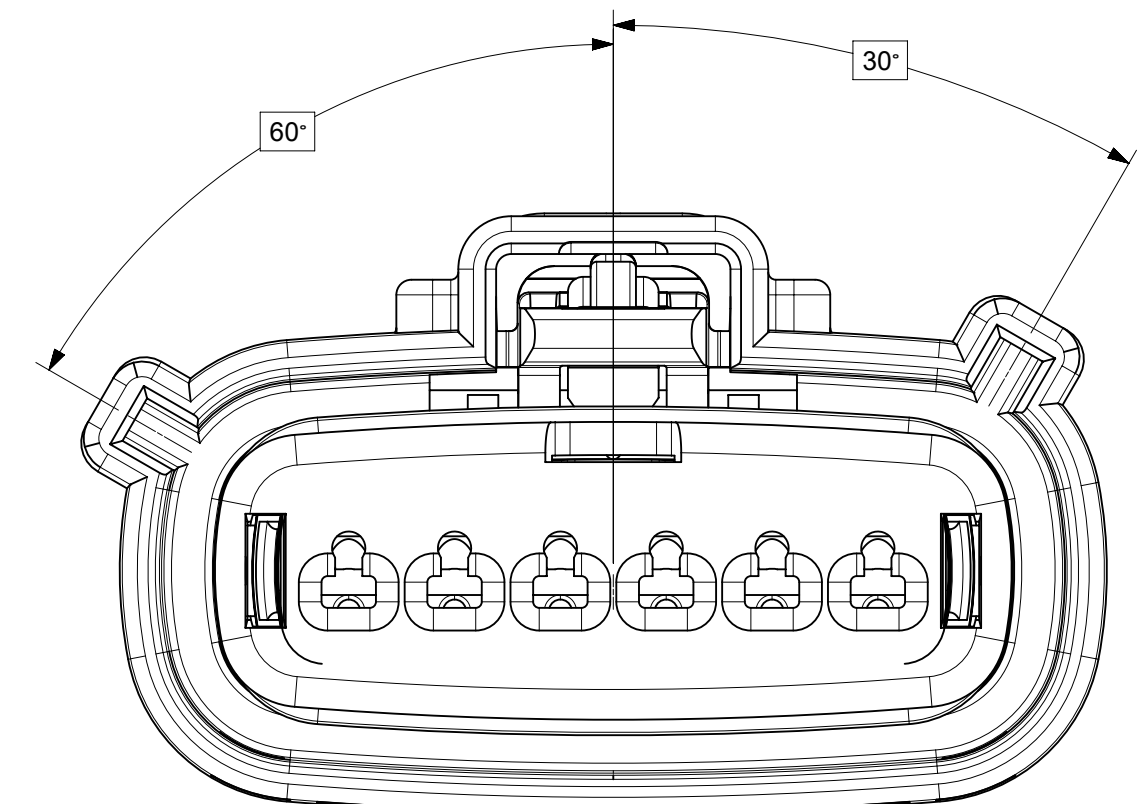
INSPECTION NUMBER LOG	REV	REV DESCRIPTION
U5		ADDED PN: 33471-6081
U4		Updated status of parts based on new mat seal
U3		ADDED 33471-6080
U2		UPDATED 33471-60** PARTS TO SALEABLE AND REMOVED "NOT RECOMMENDED" PART NUMBERS
U1		Remastered, Added 33471-60** Part Numbers
LAST NUMBER: 5		

FUNCTIONAL SYMBOLS	THIS DRAWING CONTAINS INFORMATION THAT IS PROPRIETARY TO MOLEX ELECTRONIC TECHNOLOGIES, LLC AND SHOULD NOT BE USED WITHOUT WRITTEN PERMISSION		CURRENT REV DESC: SEE REVISION TABLE	
FA = 0	DIMENSION UNITS: mm	SCALE: 2:1		
FC = 0	GENERAL TOLERANCES (UNLESS SPECIFIED)			
FD = 0	ANGULAR TOL ± 3.0°			
DIVISIONAL SYMBOLS	4 PLACES ±	3 PLACES ±	2 PLACES ± 0.1	1 PLACE ± 0.3
	0 PLACES ±	INITIAL REVISION: DRWN: DGRIFITHS 2005/08/26 APPR: smarceau 2005/08/29		EC NO: 669011 DRWN: SCV 2021/07/02 CHK'D: GGA 2021/07/08 APPR: GGA 2021/07/08
DRAFT WHERE APPLICABLE MUST REMAIN WITHIN DIMENSIONS		THIRD ANGLE PROJECTION	DRAWING: D-SIZE	SERIES: 33471
DOCUMENT NUMBER	DOC TYPE	DOC PART	REVISION	
SD-33471-061	PSD	001	U5	
MATERIAL NUMBER	CUSTOMER	SHEET NUMBER		
SEE TABLE	GENERAL MARKET	1 OF 6		

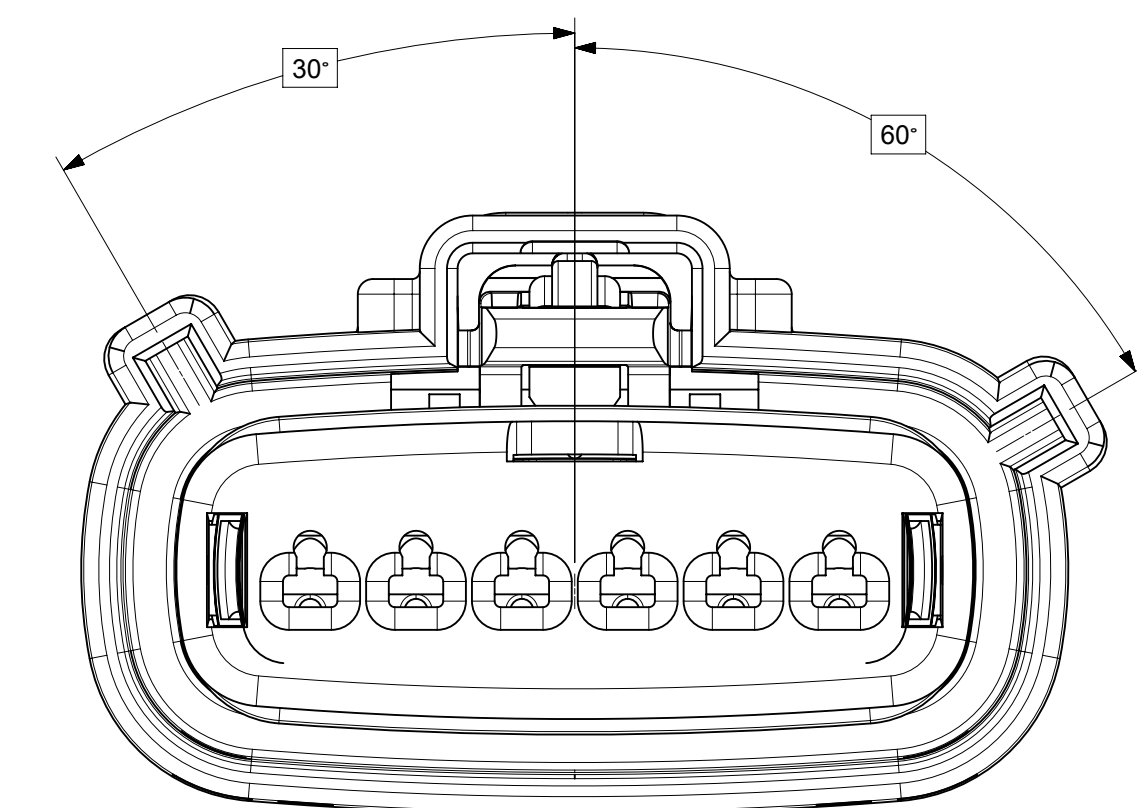
SHEET DESCRIPTION
POLARIZATIONS



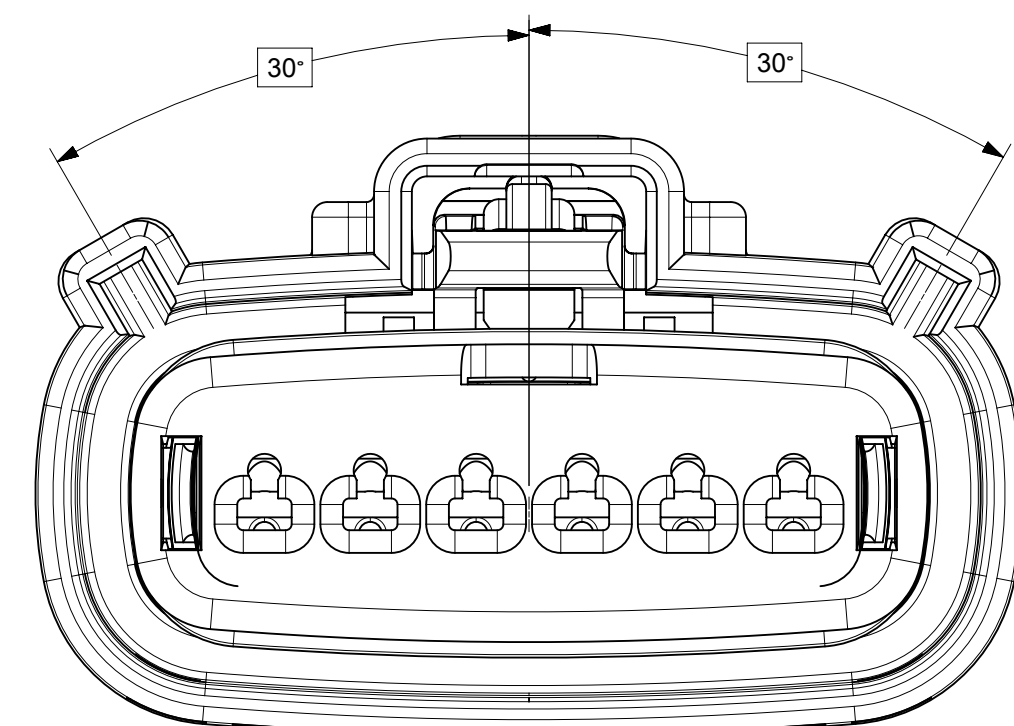
KEY A



KEY B



KEY C

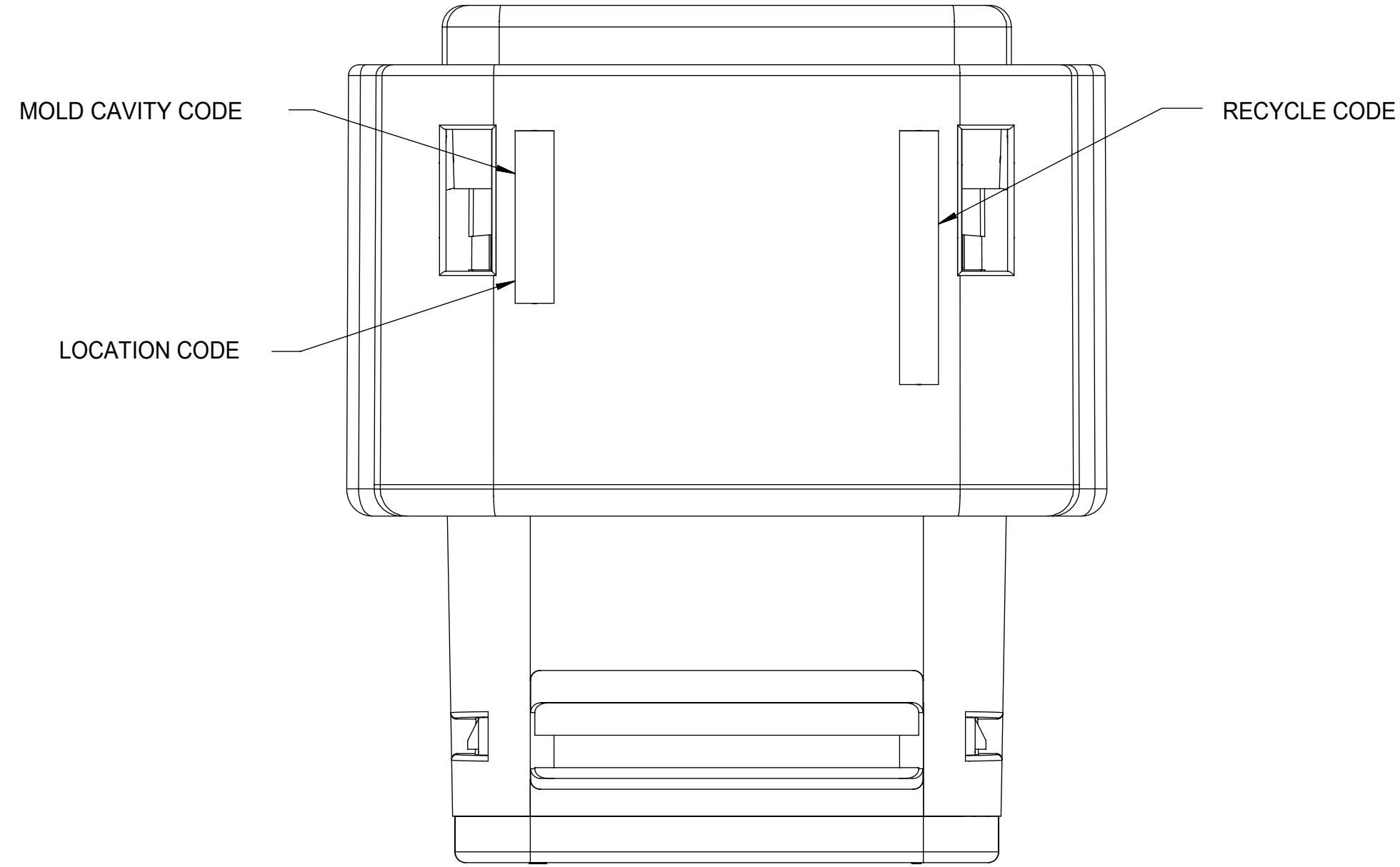
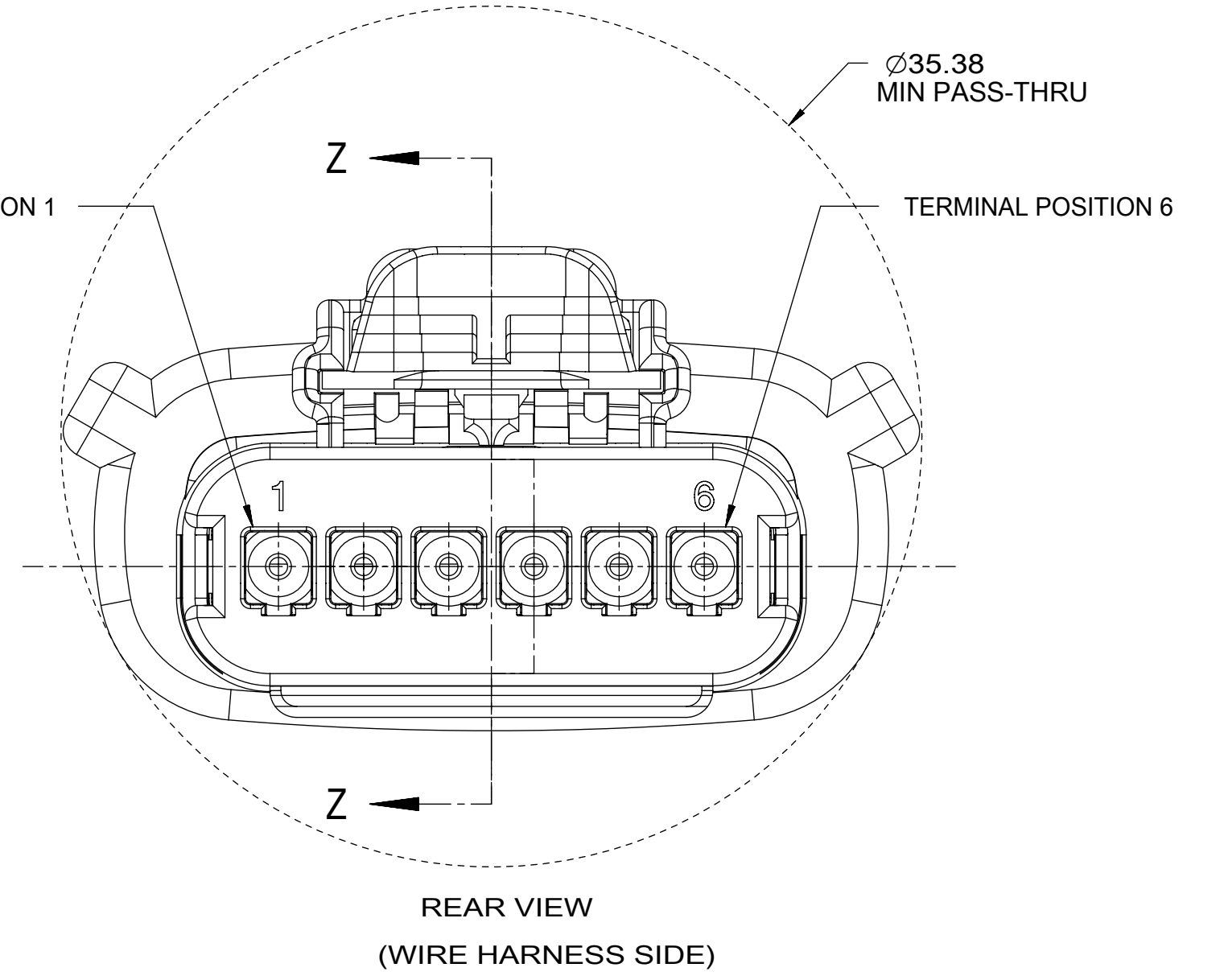
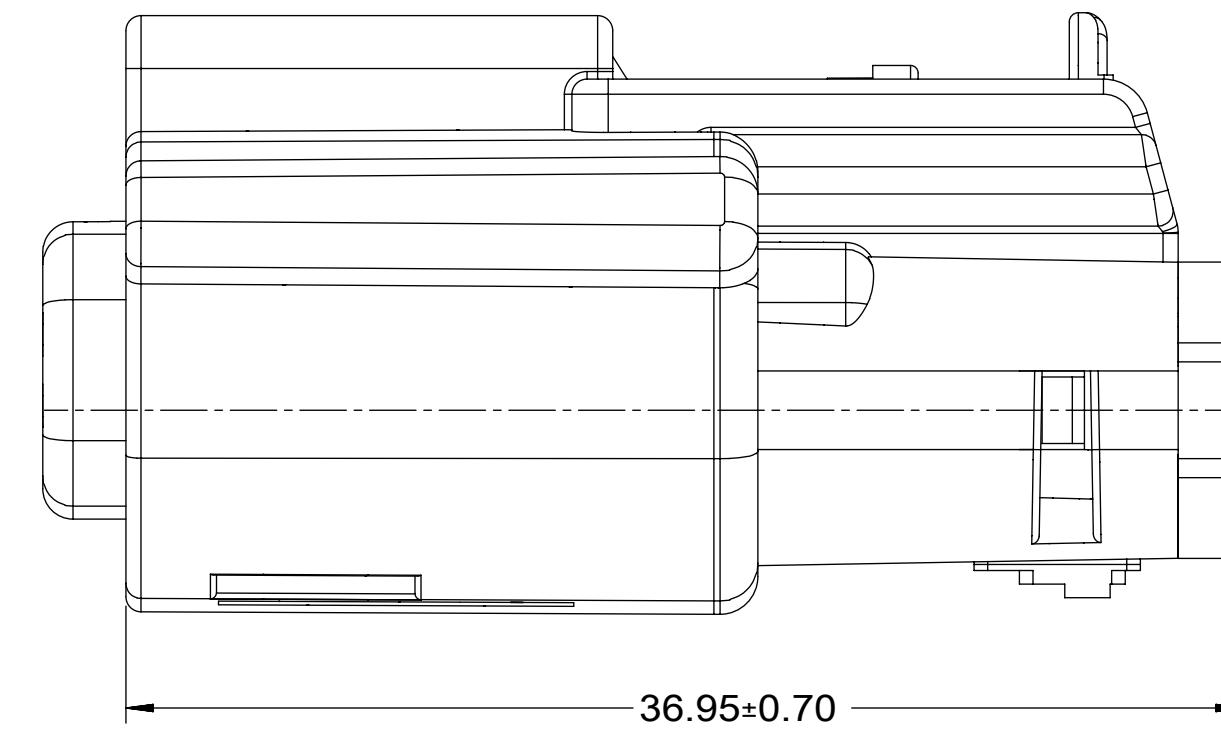
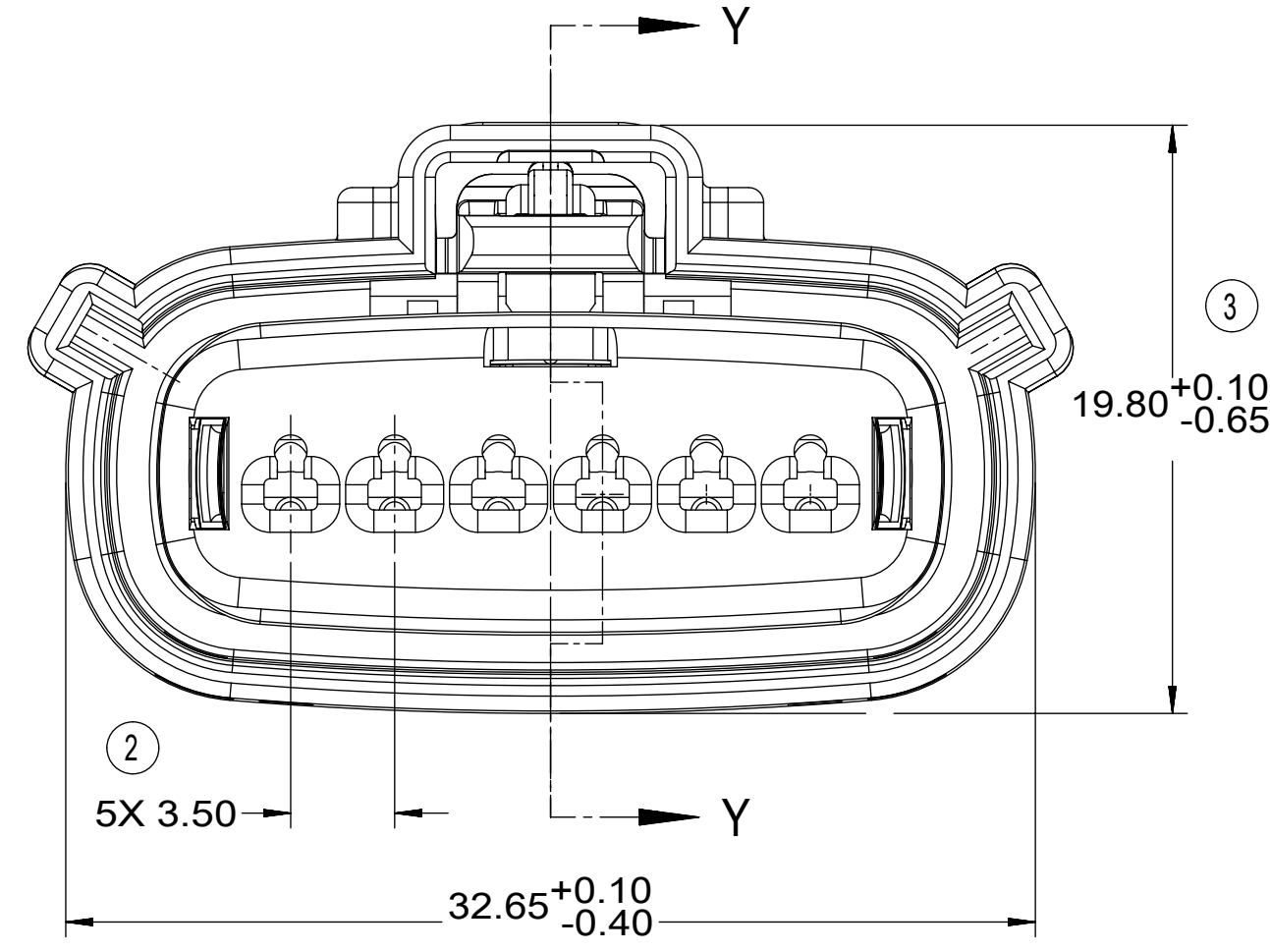
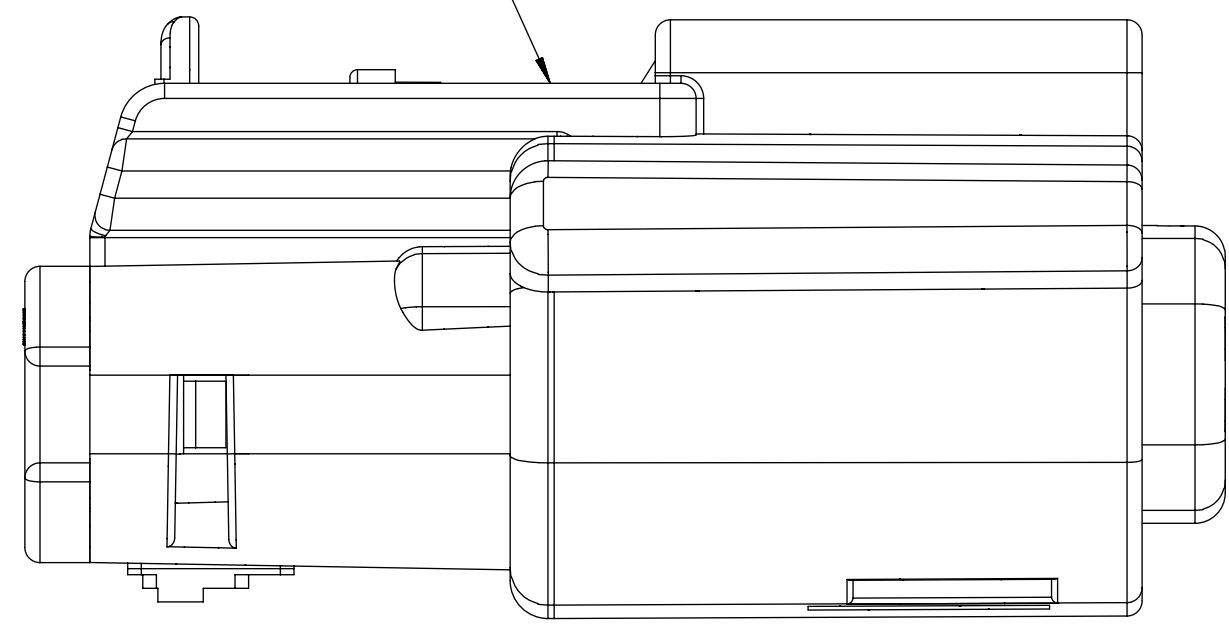


KEY D

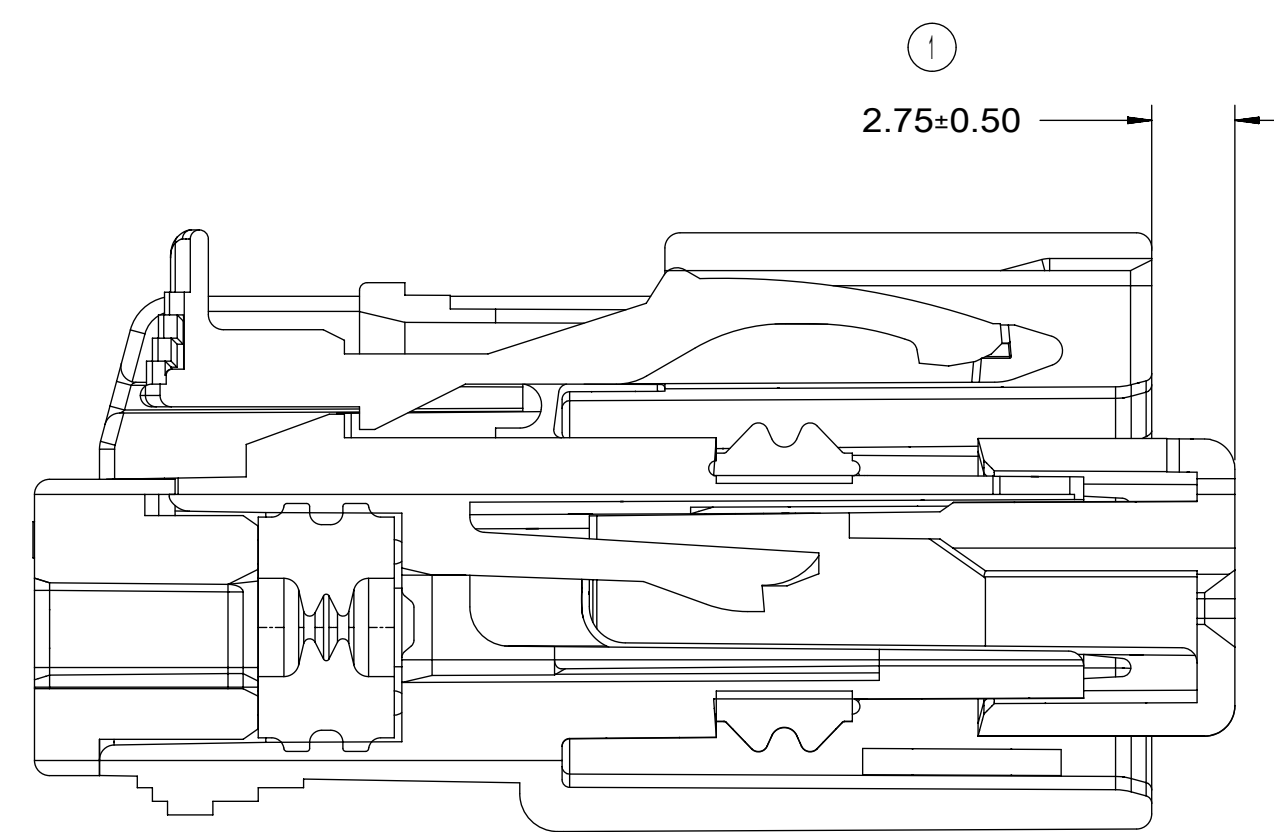
FUNCTIONAL SYMBOLS	THIS DRAWING CONTAINS INFORMATION THAT IS PROPRIETARY TO MOLEX ELECTRONIC TECHNOLOGIES, LLC AND SHOULD NOT BE USED WITHOUT WRITTEN PERMISSION		
	DIMENSION UNITS	SCALE	CURRENT REV DESC: SEE REVISION TABLE
$\nabla_A = 0$	mm	4:1	EC NO: 669011 DRWN: SCV 2021/07/02 CHK'D: GGA 2021/07/08 APPR: GGA 2021/07/08 INITIAL REVISION: DRWN: DGRIFITHS 2005/08/26 APPR: smarceau 2005/08/29
$\nabla_C = 0$	GENERAL TOLERANCES (UNLESS SPECIFIED)		
$\nabla_D = 0$	ANGULAR TOL \pm 3.0°		
DIVISIONAL SYMBOLS	4 PLACES	\pm	
	3 PLACES	\pm	
	2 PLACES	\pm 0.1	
	1 PLACE	\pm 0.3	
	0 PLACES	\pm	
DRAFT WHERE APPLICABLE MUST REMAIN WITHIN DIMENSIONS		THIRD ANGLE PROJECTION	DRAWING SERIES D-SIZE 33471
DOCUMENT STATUS		DOCUMENT NUMBER	MATERIAL NUMBER CUSTOMER SHEET NUMBER SD-33471-061 PSD 001 U5
P1	RELEASE DATE	2021/07/08 11:19:18	GENERAL MARKET 2 OF 6

SHEET DESCRIPTION
RCPT CONNECTOR ASSY

LASER MARKING THIS SURFACE
SEE NOTE 3g.

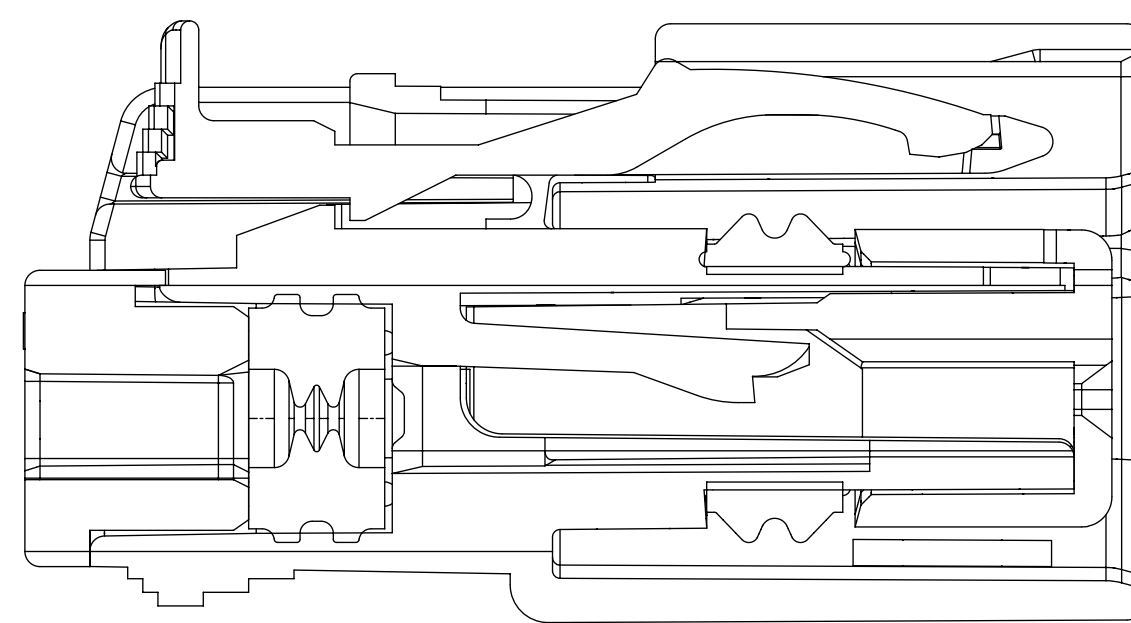


Bottom1



PRIMARY LOCK REINFORCEMENT (PLR) SHOWN
IN PRE-STAGED POSITION

SECTION Z-Z



PRIMARY LOCK REINFORCEMENT (PLR) SHOWN
IN FINAL-LOCK POSITION

SECTION Y-Y

FUNCTIONAL SYMBOLS FA = 0 FE = 0 FP = 0 DIVISIONAL SYMBOLS	THIS DRAWING CONTAINS INFORMATION THAT IS PROPRIETARY TO MOLEX ELECTRONIC TECHNOLOGIES, LLC AND SHOULD NOT BE USED WITHOUT WRITTEN PERMISSION DIMENSION UNITS: mm SCALE: 4:1		CURRENT REV DESC: SEE REVISION TABLE	
	GENERAL TOLERANCES (UNLESS SPECIFIED)		EC NO: 669011 DRWN: SCV 2021/07/02 CHK'D: GGA 2021/07/08 APPR: GGA 2021/07/08	
	ANGULAR TOL ± 3.0°		INITIAL REVISION: DRWN: DGRIFITHS 2005/08/26 APPR: smarceau 2005/08/29	
	4 PLACES ± 3 PLACES ± 2 PLACES ± 0.1 1 PLACE ± 0.3 0 PLACES ±		DOCUMENT NUMBER: SD-33471-061 DOC TYPE: PSD DOC PART: 001 REVISION: U5	
DRAFT WHERE APPLICABLE MUST REMAIN WITHIN DIMENSIONS		THIRD ANGLE PROJECTION	DRAWING: D-SIZE	SERIES: 33471
MATERIAL NUMBER: SEE TABLE		CUSTOMER: GENERAL MARKET		SHEET NUMBER: 3 OF 6

SHEET DESCRIPTION

BOM SHEET 1

ASSEMBLY PART NUMBER	COLOR	KEYING OPTION	CAVITY TYPE & STATUS (NUMBER PRESENT = PLUGGED)						CPA	STATUS	COMMENTS	
			1	2	3	4	5	6				
33471-0601	BLACK	A							---	PLANNED OBSOLESCENCE		
33471-0602	LT.GRAY	B							---	PLANNED OBSOLESCENCE		
33471-0603	BROWN	C							---	NOT RECOMMENDED	SEE P/N 33471-0659	
33471-0604	GREEN	D							---	NOT RECOMMENDED	SEE P/N 33471-0660	
33471-0605	YELLOW	A							---	PLANNED OBSOLESCENCE		
33471-0606	BLACK	A							YES	PLANNED OBSOLESCENCE		
33471-0607	LT.GRAY	B							YES	PLANNED OBSOLESCENCE		
33471-0608	BROWN	C							YES	NOT RECOMMENDED	SEE P/N 33471-0661	
33471-0609	GREEN	D							YES	NOT RECOMMENDED	SEE P/N 33471-0662	
33471-0610	YELLOW	A							YES	PLANNED OBSOLESCENCE		
33471-0611	BLACK	A						6	---	PLANNED OBSOLESCENCE		
33471-0612	LT.GRAY	B						6	---	PLANNED OBSOLESCENCE		
33471-0613	BROWN	C						6	---	NOT RECOMMENDED	SEE P/N 33471-0663	
33471-0614	GREEN	D						6	---	NOT RECOMMENDED	SEE P/N 33471-0664	
33471-0615	YELLOW	A						6	---	PLANNED OBSOLESCENCE		
33471-0616	BLACK	A						6	YES	PLANNED OBSOLESCENCE		
33471-0617	LT.GRAY	B						6	YES	PLANNED OBSOLESCENCE		
33471-0618	BROWN	C						6	YES	NOT RECOMMENDED	SEE P/N 33471-0665	
33471-0619	GREEN	D						6	YES	NOT RECOMMENDED	SEE P/N 33471-0666	
33471-0620	YELLOW	A						6	YES	PLANNED OBSOLESCENCE		
33471-0621	BLACK	A	1					6	---	PLANNED OBSOLESCENCE		
33471-0622	LT.GRAY	B	1					6	---	PLANNED OBSOLESCENCE		
33471-0623	BROWN	C	1					6	---	NOT RECOMMENDED	SEE P/N 33471-0667	
33471-0624	GREEN	D	1					6	---	NOT RECOMMENDED	SEE P/N 33471-0668	
33471-0625	YELLOW	A	1					6	---	PLANNED OBSOLESCENCE		
33471-0626	BLACK	A	1					6	YES	PLANNED OBSOLESCENCE		
33471-0627	LT.GRAY	B	1					6	YES	PLANNED OBSOLESCENCE		
33471-0628	BROWN	C	1					6	YES	NOT RECOMMENDED	SEE P/N 33471-0669	
33471-0629	GREEN	D	1					6	YES	NOT RECOMMENDED	SEE P/N 33471-0670	
33471-0630	YELLOW	A	1					6	YES	PLANNED OBSOLESCENCE		
33471-0631	BLACK	A	1	2	3	4	5	6	---	PLANNED OBSOLESCENCE		
33471-0632	LT.GRAY	B	1	2	3	4	5	6	---	PLANNED OBSOLESCENCE		
33471-0633	BROWN	C	1	2	3	4	5	6	---	NOT RECOMMENDED	SEE P/N 33471-0671	
33471-0634	GREEN	D	1	2	3	4	5	6	---	NOT RECOMMENDED	SEE P/N 33471-0672	
33471-0635	YELLOW	A	1	2	3	4	5	6	---	PLANNED OBSOLESCENCE		
33471-0650	BLACK	A						5	6	---	PLANNED OBSOLESCENCE	
33471-0651	BLACK	A	1	2	3	4	5	6	YES	PLANNED OBSOLESCENCE		
33471-0652	BLACK	A					4		YES	PLANNED OBSOLESCENCE		
33471-0653	BLACK	A				3			YES	PLANNED OBSOLESCENCE		
33471-0654	BLACK	A				3			---	PLANNED OBSOLESCENCE		
33471-0655	BLACK	A				3	4	5	---	PLANNED OBSOLESCENCE		
33471-0656	BLACK	A						5	---	PLANNED OBSOLESCENCE		
33471-0657	BLACK	A					4		---	PLANNED OBSOLESCENCE		
33471-0658	BLACK	A	1	2	3	4			---	PLANNED OBSOLESCENCE		
33471-0659	DARK GRAY	C							---	PLANNED OBSOLESCENCE		
33471-0660	STONE GRAY	D							---	PLANNED OBSOLESCENCE		
33471-0661	DARK GRAY	C							YES	PLANNED OBSOLESCENCE		
33471-0662	STONE GRAY	D							YES	PLANNED OBSOLESCENCE		
33471-0663	DARK GRAY	C						6	---	PLANNED OBSOLESCENCE		
33471-0664	STONE GRAY	D						6	---	PLANNED OBSOLESCENCE		
33471-0665	DARK GRAY	C						6	YES	PLANNED OBSOLESCENCE		
33471-0666	STONE GRAY	D						6	YES	PLANNED OBSOLESCENCE		
33471-0667	DARK GRAY	C	1					6	---	PLANNED OBSOLESCENCE		
33471-0668	STONE GRAY	D	1					6	---	PLANNED OBSOLESCENCE		
33471-0669	DARK GRAY	C	1					6	YES	PLANNED OBSOLESCENCE		
33471-0670	STONE GRAY	D	1					6	YES	PLANNED OBSOLESCENCE		
33471-0671	DARK GRAY	C	1	2	3	4	5	6	---	PLANNED OBSOLESCENCE		
33471-0672	STONE GRAY	D	1	2	3	4	5	6	---	PLANNED OBSOLESCENCE		
33471-0673	BLACK	A						6	---	PLANNED OBSOLESCENCE		
33471-0674	BLACK	A		2					---	PLANNED OBSOLESCENCE		
33471-0675	BLACK	A	1					5	YES	PLANNED OBSOLESCENCE		
33471-0676	BLACK	A	1						---	PLANNED OBSOLESCENCE		
33471-0677	BLACK	A		2	3	4			---	PLANNED OBSOLESCENCE		
33471-0678	BLACK	A					4	5	---	PLANNED OBSOLESCENCE		

FUNCTIONAL SYMBOLS	THIS DRAWING CONTAINS INFORMATION THAT IS PROPRIETARY TO MOLEX ELECTRONIC TECHNOLOGIES, LLC AND SHOULD NOT BE USED WITHOUT WRITTEN PERMISSION		CURRENT REV DESC: SEE REVISION TABLE	
	DIMENSION UNITS	SCALE		
$F_A = 0$	mm	1:1		
$F_C = 0$	GENERAL TOLERANCES (UNLESS SPECIFIED)			
	ANGULAR TOL	± 3.0°		
DIVISIONAL SYMBOLS	4 PLACES	±	EC NO: 669011	
	3 PLACES	±	DRWN: SCV	2021/07/02
	2 PLACES	± 0.1	CHK'D: GGA	2021/07/08
	1 PLACE	± 0.3	APPR: GGA	2021/07/08
0 PLACES	±	INITIAL REVISION:		
DRAFT WHERE APPLICABLE MUST REMAIN WITHIN DIMENSIONS		THIRD ANGLE PROJECTION	DRAWING	SERIES
			D-SIZE	33471
		MATERIAL NUMBER		CUSTOMER
		SEE TABLE		GENERAL MARKET
		DOCUMENT NUMBER		DOC TYPE
		SD-33471-061		PSD
		DOC PART		REVISION
		001		U5
		SHEET NUMBER		
		4 OF 6		

SHEET DESCRIPTION
BOM SHEET 2

ASSEMBLY PART NUMBER	COLOR	KEYING OPTION	CAVITY TYPE & STATUS (NUMBER PRESENT = PLUGGED)						CPA	STATUS	COMMENTS
			1	2	3	4	5	6			
33471-6601	BLACK	A							—	PLANNED OBSOLESCENCE	
33471-6606	BLACK	A							YES	PLANNED OBSOLESCENCE	

FUNCTIONAL SYMBOLS FA = 0 FC = 0 FP = 0 DIVISIONAL SYMBOLS	THIS DRAWING CONTAINS INFORMATION THAT IS PROPRIETARY TO MOLEX ELECTRONIC TECHNOLOGIES, LLC AND SHOULD NOT BE USED WITHOUT WRITTEN PERMISSION											
	DIMENSION UNITS	SCALE	CURRENT REV DESC: SEE REVISION TABLE									
	mm	1:1										
	GENERAL TOLERANCES (UNLESS SPECIFIED)										EC NO: 669011 DRWN: SCV 2021/07/02 CHK'D: GGA 2021/07/08 APPR: GGA 2021/07/08	
	ANGULAR TOL ± 3.0°											
	4 PLACES	±										
	3 PLACES	±									INITIAL REVISION: DRWN: DGRIFITHS 2005/08/26 APPR: smarceau 2005/08/29	
2 PLACES	± 0.1											
1 PLACE	± 0.3									DOCUMENT NUMBER SD-33471-061		
0 PLACES	±									DOC TYPE	DOC PART	REVISION
DRAFT WHERE APPLICABLE MUST REMAIN WITHIN DIMENSIONS		THIRD ANGLE PROJECTION		DRAWING	SERIES	MATERIAL NUMBER		CUSTOMER		SHEET NUMBER		
				D-SIZE	33471	SEE TABLE		GENERAL MARKET		5 OF 6		

SHEET DESCRIPTION

BOM SHEET 3

ASSEMBLY PART NUMBER	COLOR	KEYING OPTION	CAVITY TYPE & STATUS (NUMBER PRESENT = PLUGGED)						CPA	STATUS	COMMENTS
			1	2	3	4	5	6			
33471-6001	BLACK	A							---	SALEABLE	
33471-6002	LT.GRAY	B							---	SALEABLE	
33471-6003	BROWN	C							---	NOT RECOMMENDED	SEE P/N 33471-6059
33471-6004	GREEN	D							---	NOT RECOMMENDED	SEE P/N 33471-6060
33471-6005	YELLOW	A							---	SALEABLE	
33471-6006	BLACK	A							YES	SALEABLE	
33471-6007	LT.GRAY	B							YES	SALEABLE	
33471-6008	BROWN	C							YES	NOT RECOMMENDED	SEE P/N 33471-6061
33471-6009	GREEN	D							YES	NOT RECOMMENDED	SEE P/N 33471-6062
33471-6010	YELLOW	A							YES	SALEABLE	
33471-6011	BLACK	A							6	---	SALEABLE
33471-6012	LT.GRAY	B							6	---	SALEABLE
33471-6015	YELLOW	A							6	---	SALEABLE
33471-6016	BLACK	A							6	YES	SALEABLE
33471-6017	LT.GRAY	B							6	YES	SALEABLE
33471-6020	YELLOW	A							6	YES	SALEABLE
33471-6021	BLACK	A	1						6	---	SALEABLE
33471-6022	LT.GRAY	B	1						6	---	SALEABLE
33471-6025	YELLOW	A	1						6	---	SALEABLE
33471-6026	BLACK	A	1						6	YES	SALEABLE
33471-6027	LT.GRAY	B	1						6	YES	SALEABLE
33471-6030	YELLOW	A	1						6	YES	SALEABLE
33471-6031	BLACK	A	1	2	3	4	5	6	---	SALEABLE	
33471-6032	LT.GRAY	B	1	2	3	4	5	6	---	SALEABLE	
33471-6035	YELLOW	A	1	2	3	4	5	6	---	SALEABLE	
33471-6050	BLACK	A						5	6	---	SALEABLE
33471-6051	BLACK	A	1	2	3	4	5	6	YES	SALEABLE	
33471-6052	BLACK	A				4			YES	SALEABLE	
33471-6053	BLACK	A			3				YES	SALEABLE	
33471-6054	BLACK	A			3				---	SALEABLE	
33471-6055	BLACK	A			3	4	5		---	SALEABLE	
33471-6056	BLACK	A					5		---	SALEABLE	
33471-6057	BLACK	A				4			---	SALEABLE	
33471-6058	BLACK	A	1	2	3	4			---	SALEABLE	
33471-6059	DARK GRAY	C							---	SALEABLE	
33471-6060	STONE GRAY	D							---	SALEABLE	
33471-6061	DARK GRAY	C							YES	SALEABLE	
33471-6062	STONE GRAY	D							YES	SALEABLE	
33471-6063	DARK GRAY	C						6	---	SALEABLE	
33471-6064	STONE GRAY	D						6	---	SALEABLE	
33471-6065	DARK GRAY	C						6	YES	SALEABLE	
33471-6066	STONE GRAY	D						6	YES	SALEABLE	
33471-6067	DARK GRAY	C	1					6	---	SALEABLE	
33471-6068	STONE GRAY	D	1					6	---	SALEABLE	
33471-6069	DARK GRAY	C	1					6	YES	SALEABLE	
33471-6070	STONE GRAY	D	1					6	YES	SALEABLE	
33471-6071	DARK GRAY	C	1	2	3	4	5	6	---	SALEABLE	
33471-6072	STONE GRAY	D	1	2	3	4	5	6	---	SALEABLE	
33471-6073	BLACK	A			3			6	---	SALEABLE	
33471-6074	BLACK	A		2				6	---	SALEABLE	
33471-6075	BLACK	A	1		3		5		YES	SALEABLE	
33471-6076	BLACK	A	1						---	SALEABLE	
33471-6077	BLACK	A		2	3	4			---	SALEABLE	
33471-6078	BLACK	A				4	5		---	SALEABLE	
33471-6079	BLACK	A	1						YES	SALEABLE	
33471-6080	BLACK	A			3	4			YES	SALEABLE	
33471-6081	LT.GRAY	B	1	2			5		YES	SALEABLE	

FUNCTIONAL SYMBOLS	THIS DRAWING CONTAINS INFORMATION THAT IS PROPRIETARY TO MOLEX ELECTRONIC TECHNOLOGIES, LLC AND SHOULD NOT BE USED WITHOUT WRITTEN PERMISSION		CURRENT REV DESC: SEE REVISION TABLE	
	DIMENSION UNITS	SCALE		
$F_A = 0$	mm	1:1		
$F_C = 0$	GENERAL TOLERANCES (UNLESS SPECIFIED)			
$F_P = 0$	ANGULAR TOL $\pm 3.0^\circ$			
DIVISIONAL SYMBOLS	4 PLACES	\pm	EC NO: 669011	
	3 PLACES	\pm	DRWN: SCV	2021/07/08
	2 PLACES	± 0.1	CHK'D: GGA	2021/07/08
	1 PLACE	± 0.3	APPR: GGA	2021/07/08
0 PLACES	\pm	INITIAL REVISION:		
DRAFT WHERE APPLICABLE MUST REMAIN WITHIN DIMENSIONS		THIRD ANGLE PROJECTION	DRAWING	SERIES
			D-SIZE	33471
DOCUMENT STATUS		P1	RELEASE DATE	2021/07/08 11:19:18
DOCUMENT NUMBER		SD-33471-061	DOC TYPE	PSD
DOC PART		001	REVISION	U5
MATERIAL NUMBER		SEE TABLE	CUSTOMER	GENERAL MARKET
SHEET NUMBER		6 OF 6		

molex

MX150 1X6 RECEPTACLE SEALED ASSEMBLY MAT SEAL

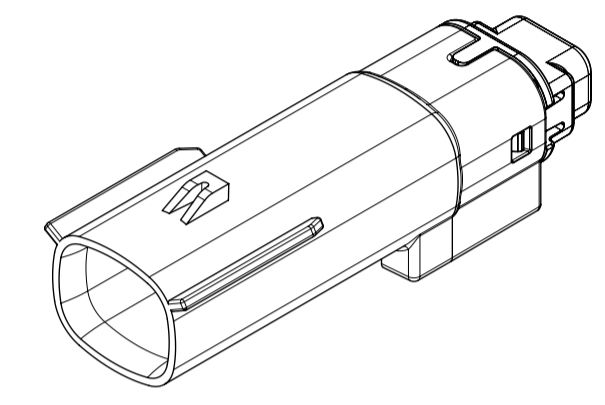
PRODUCT CUSTOMER DRAWING

TABLE OF CONTENTS	
SHEET NO.	SHEET DESCRIPTION
1	NOTES AND BOM
2	CONFIGURATIONS
3-4	KEY CONFIGURATIONS
5	BLADE SEALED ASSEMBLY
6	SYSTEM PACKAGING
7	BACKSHELL NOTES
8	BACKSHELL
9	BACKSHELL CONFIGURATIONS

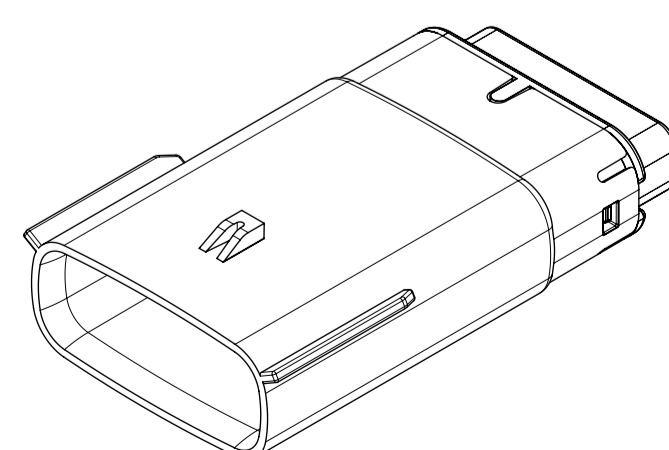
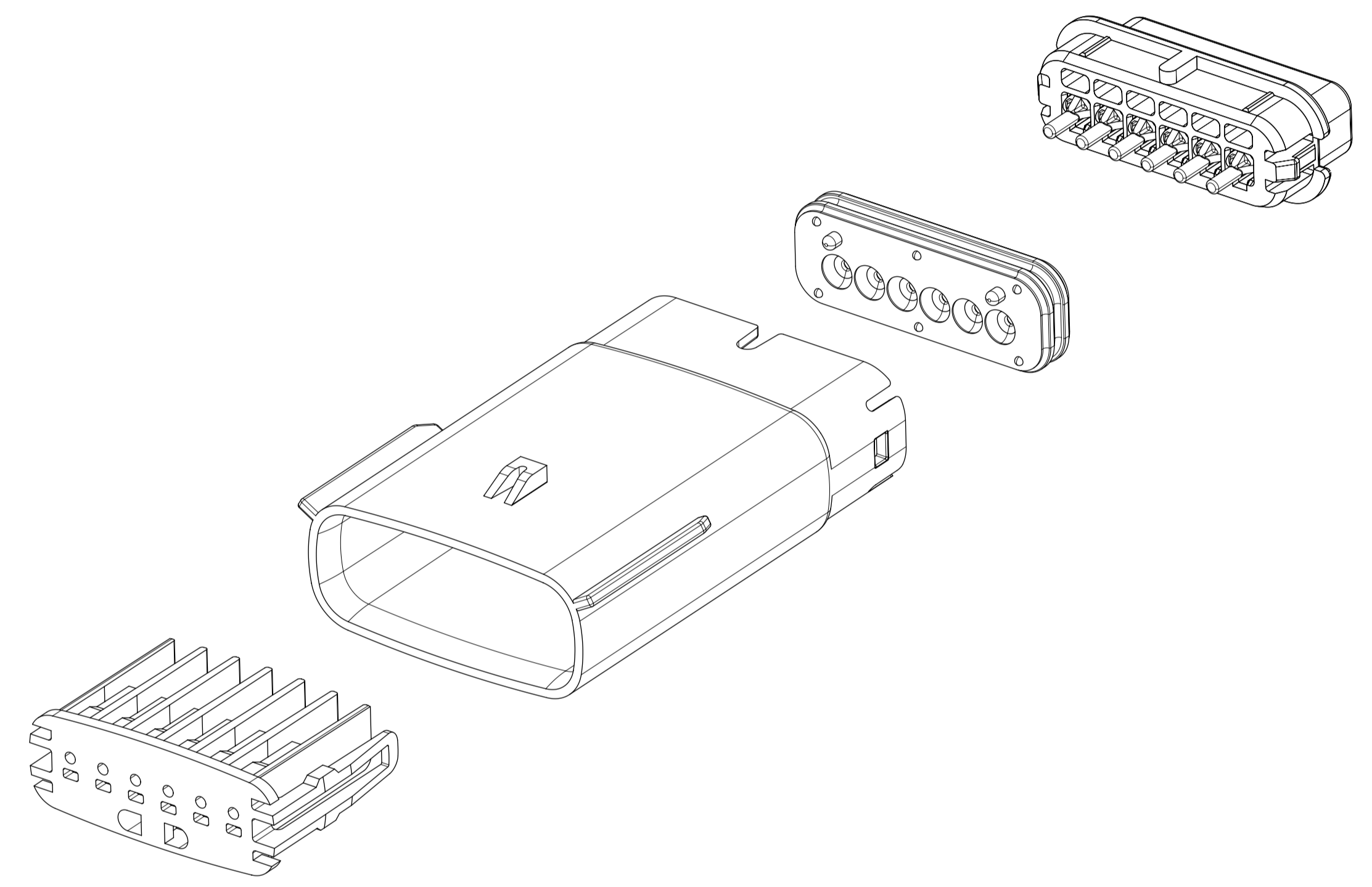
NOTES: VALID UNLESS OTHERWISE SPECIFIED

1. GENERAL:
- a. APPLICATION SPECIFICATION SEE: AS-33472-100
- CONTAINS: PRODUCT INTRODUCTION, PRODUCT SUMMARY, CONNECTOR ASSEMBLY, PACKAGING INFORMATION, CONNECTOR MATING, SERVICE INSTRUCTIONS, ELECTRICAL CONTINUITY CHECKING, CRIMPING, AND TROUBLESHOOTING.
 - DESIGNED TO MATE WITH RECEPTACLE SEALED ASSEMBLY AS SPECIFIED IN THE MATING CONNECTOR DRAWINGS CHART.
 - *DENOTES DRAWINGS THAT CAN BE ACCESSED AT <http://ewcap.uscarteams.org/>
 - ASSEMBLY SHIPPED WITH PLR IN PRE-LOCK POSITION (SEE PLR PRE-LOCK VIEW SHEET 5).
- b. PRODUCT SPECIFICATION SEE:
- STANDARD CONFIGURATION: PS-33471-000
 - UL V0 CONFIGURATION: PS-160105-0001
 - CONTAINS: PRODUCT INTRODUCTION, PRODUCT SUMMARY, RATINGS (CURRENT, TEMPERATURE, SEALING, AND FLAMMABILITY), TERMINALS, WIRE DIAMETER RANGE, PRODUCT VALIDATION, AND PRODUCT DEVIATIONS.
- c. PACKAGING SPECIFICATION PER MOLEX DRAWING: PK-31300-635 (PK-33471-000 FOR 1X5)
- d. PARTS MUST BE IN COMPLIANCE TO MOLEX CHEMICAL SUBSTANCES FOR PRODUCTS AND PACKAGING SPECIFICATION: QEHS-699000-300
- e. DATA MUST BE SUBMITTED UNDER THE MOLEX PART NUMBER TO IMDS (COMPANY ID#13255)
2. DESIGN - MATERIALS:
- a. FOR BILL OF MATERIALS SEE:
- STANDARD CONFIGURATION: SD-33481-0002
 - UL V0 CONFIGURATION: SD-160106-0002
3. DESIGN - GEOMETRY:
- a. THE 3-D CAD DATA IS BASIC (WITHOUT TOLERANCE) AND MASTER FOR THIS PART WITH THE EXCEPTION OF UNDERLINED DIMENSIONS. DIMENSIONAL INFORMATION NOT SHOWN ON THIS DRAWING IS DEFINED BY THE DATA FILE AT ITS LATEST REVISION.
- b. GEOMETRIC DIMENSIONS AND TOLERANCES PER ASME Y14.5M-2009
- c. EDGES AND UNDIMENSIONED DETAILS PER ISO13715
- d. CORNERS SHOWN AS SHARP TO BE R 0.2 MAX.
- e. LETTERING SHALL BE 0.15 MAX RAISED IN 0.25 MAX RECESS PAD. THIS INCLUDES RECYCLING CODE, CAVITY ID, VENDOR IDENTIFICATION, AND CUSTOMER MATERIAL NUMBER.
- f. VISUAL DEFECTS SHALL MEET COSMETIC STANDARD PS-45499-002 (Class B).
- g. LASER MARKING:
- PART NUMBER
 - DAY OF THE YEAR
 - SHIFT
 - YEAR
- FOR ADDITIONAL INFORMATION SEE SECTION 5 UNDER PROCEDURES IN ES-34735-008.

MATING CONNECTOR DRAWINGS	
DESCRIPTION	MOLEX INLINE
1X2	SD-33471-0001
1X6	SD-33471-0001



1X2



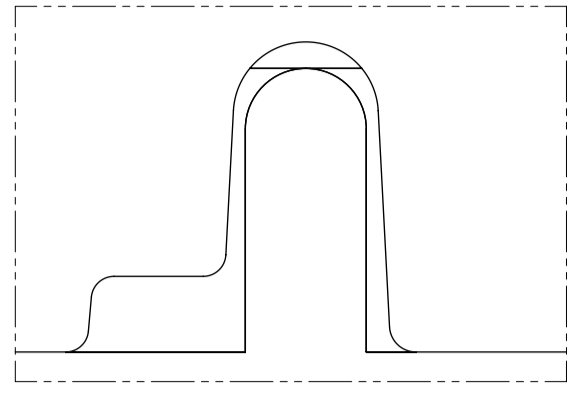
1X6

INSPECTION NUMBER LOG	
LAST NUMBER: 9	ADDED:
2	INITIAL RELEASE
1	UPDATED VIEWSETS
REV	REV DESCRIPTION

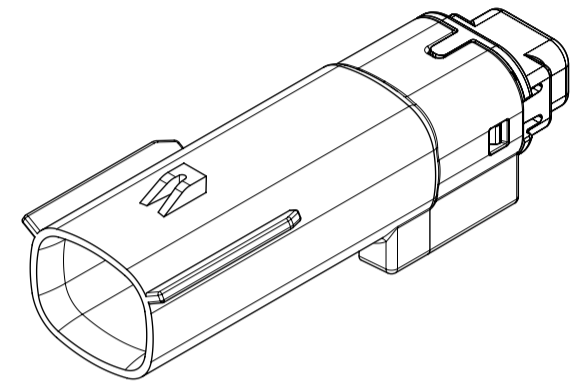
A1	NX REMASTERING , CHANGE PS DRAWING NUMBER FROM PS-160105-0001 TO PS-160074-0001 IN NOTES 1.b
A	MINOR GEOMETRY CHANGE FOR UL V0

SYMBOLS = 0 = 0 = 0 = 0 = 0 = 0 = 0 = 0 = 0	THIS DRAWING CONTAINS INFORMATION THAT IS PROPRIETARY TO MOLEX ELECTRONIC TECHNOLOGIES, LLC AND SHOULD NOT BE USED WITHOUT WRITTEN PERMISSION DIMENSION UNITS: MM ONLY SCALE: 1.5:1	CURRENT REV DESC: EC NO: 602373 DRWN: DSHETTY01 2018/05/25 CHK'D: MVANSLAMBROU 2018/10/04 APPR: MVANSLAMBROU 2018/10/04 INITIAL REVISION: DRWN: APROFFITT 2015/07/21 APPR: KDEKOSKI 2016/06/14	 MX150 BLADE SINGLE ROW SEALED ASSY MAT SEAL PRODUCT CUSTOMER DRAWING	
	GENERAL TOLERANCES (UNLESS SPECIFIED) ANGULAR TOL ± 1.0° 4 PLACES ± 3 PLACES ± 2 PLACES ± 0.1 1 PLACE ± 0.2 0 PLACES ±	DRAFT WHERE APPLICABLE MUST REMAIN WITHIN DIMENSIONS	THIRD ANGLE PROJECTION DRAWING: A1-SIZE SERIES: 33481	DOCUMENT NUMBER: SD-33481-0001 DOC TYPE: PSD DOC PART: 001 REVISION: A1
	MATERIAL NUMBER: SEE NOTE 2a. CUSTOMER: GENERAL MARKET SHEET NUMBER: 1 OF 9			
	DOCUMENT STATUS: P1 RELEASE DATE: 2018/10/04 15:02:02			

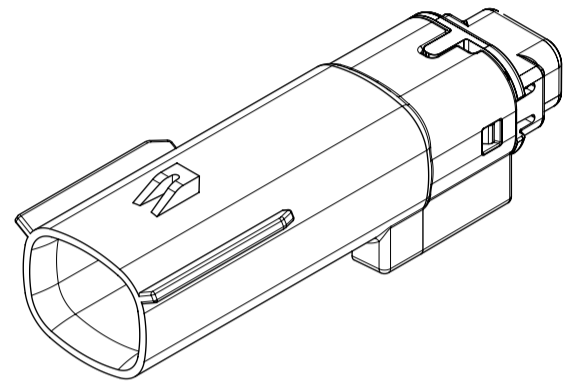
SHEET DESCRIPTION
CONFIGURATIONS



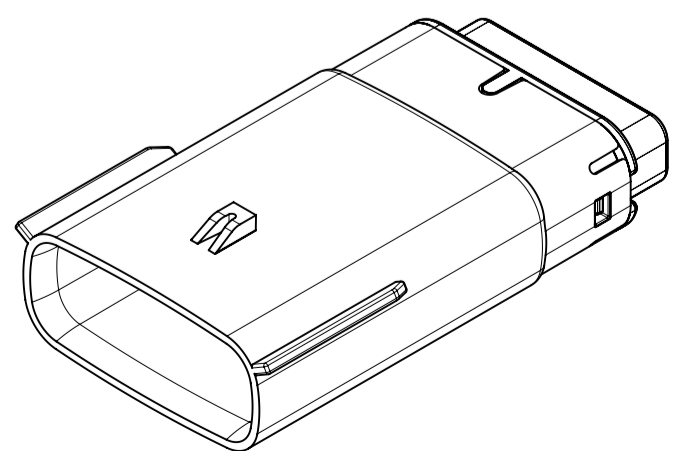
UL V0 UNIQUE FEATURE
Partial1
SCALE 10:1



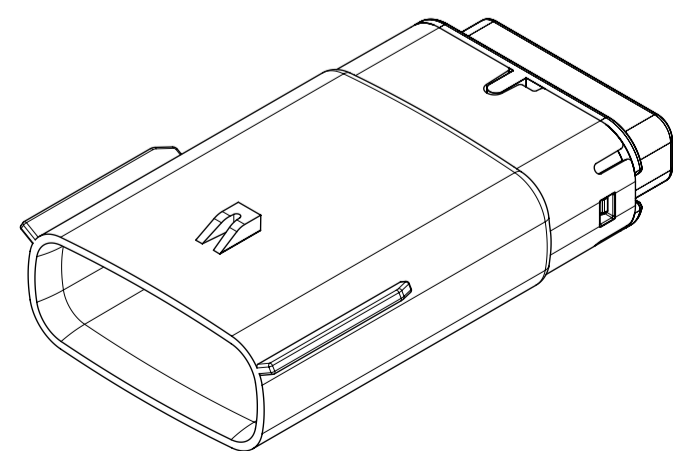
1x2 - STD



1X2 - UL V0*



1x6 - STD

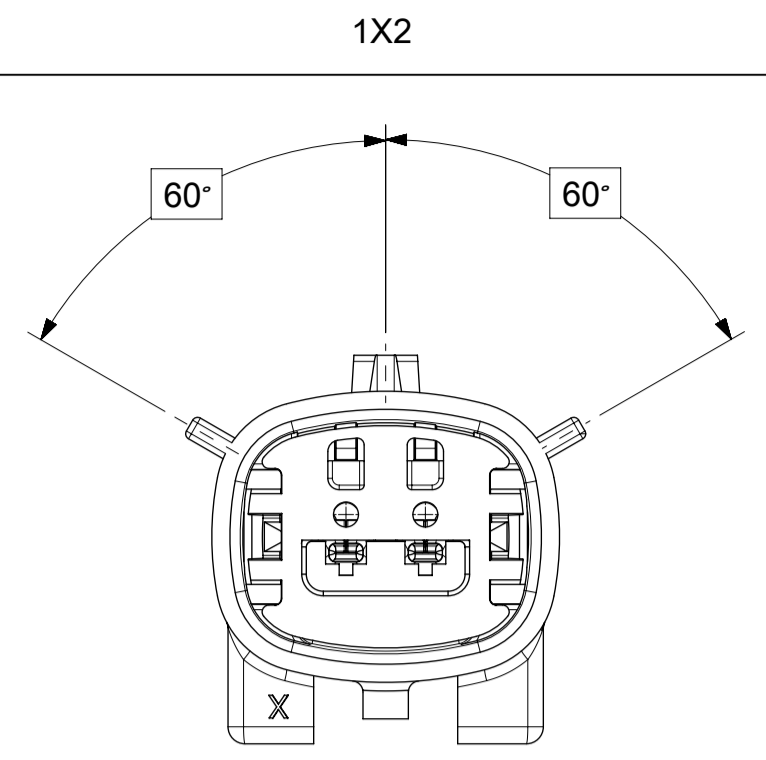


1x6 - UL V0*

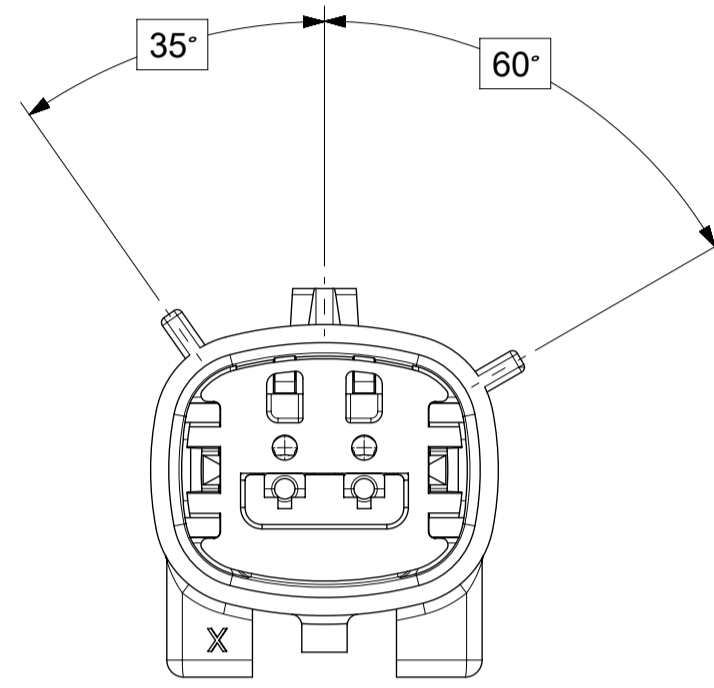
* MINOR GEOMETRY DIFFERENCE THAN STANDARD CONFIGURATION.
SEE NOTES 1 & 2 FOR MORE INFORMATION

SYMBOLS	THIS DRAWING CONTAINS INFORMATION THAT IS PROPRIETARY TO MOLEX ELECTRONIC TECHNOLOGIES, LLC AND SHOULD NOT BE USED WITHOUT WRITTEN PERMISSION		CURRENT REV DESC:						
	DIMENSION UNITS	SCALE							EC NO: 602373
▽ = 0	MM ONLY	1.5:1	GENERAL TOLERANCES (UNLESS SPECIFIED)	CHK'D: MVANSLAMBROU	2018/10/04	SD-33481-0001	PSD	001	A1
▽ = 0	ANGULAR TOL ± 1.0°		APPR: MVANSLAMBROU	2018/10/04	PRODUCT CUSTOMER DRAWING				
▽ = 0	4 PLACES ±		INITIAL REVISION:	DRWN: APROFFITT	2015/07/21	SEE NOTE 2a.	CUSTOMER	GENERAL MARKET	SHEET NUMBER
▽ = 0	3 PLACES ±		APPR: KDEKOSKI	2016/06/14	2 OF 9				
▽ = 0	2 PLACES ± 0.1		DRAFT WHERE APPLICABLE MUST REMAIN WITHIN DIMENSIONS	THIRD ANGLE PROJECTION	DRAWING	SERIES			
▽ = 0	1 PLACE ± 0.2			⊕	A1-SIZE	33481			
▽ = 0	0 PLACES ±								

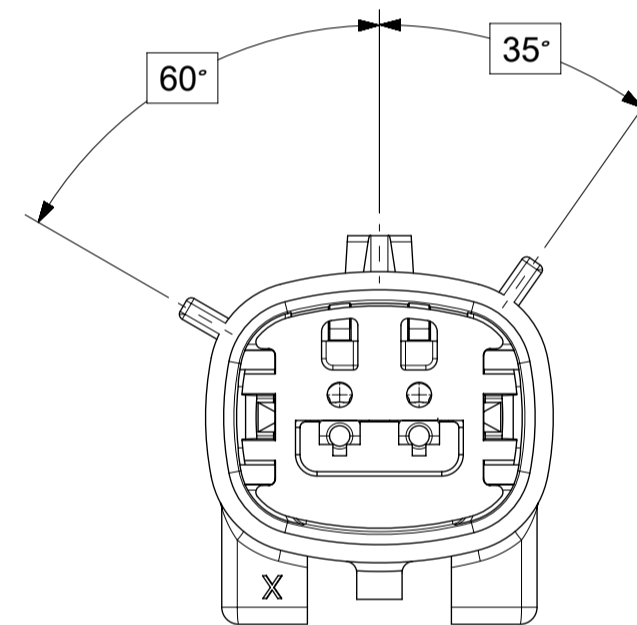
SHEET DESCRIPTION
KEY CONFIGURATIONS



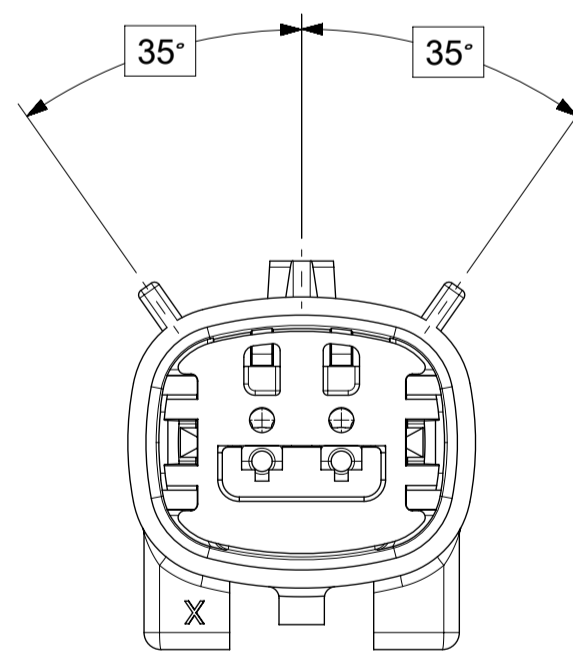
KEY A



KEY B



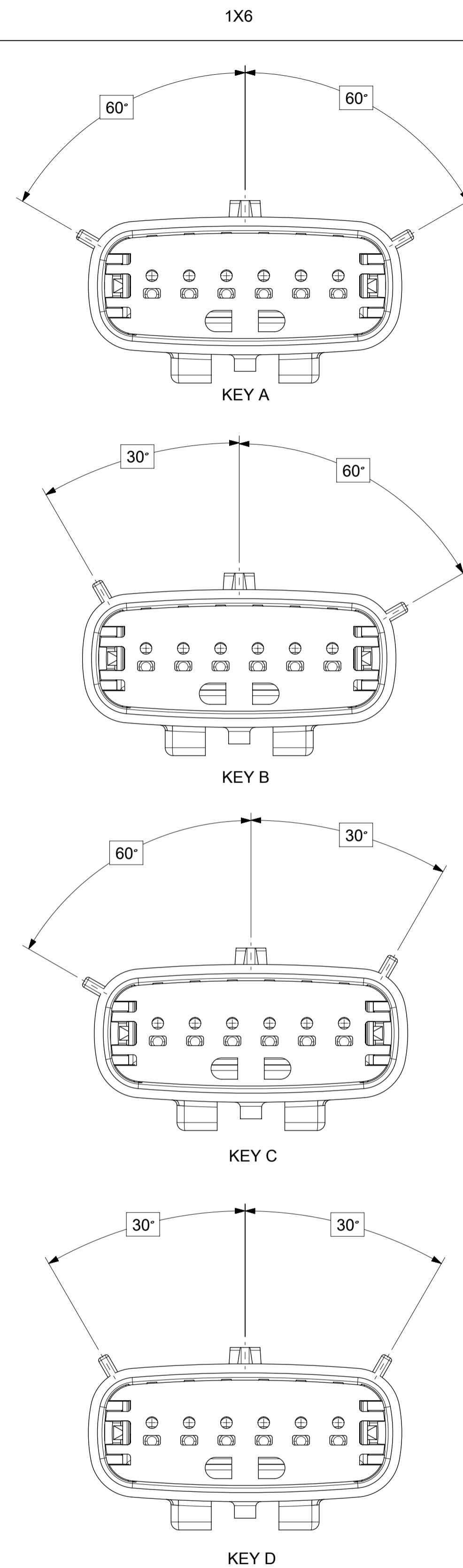
KEY C



KEY D

SYMBOLS = 0 = 0 = 0 = 0 = 0 = 0 = 0 = 0 = 0 = 0	THIS DRAWING CONTAINS INFORMATION THAT IS PROPRIETARY TO MOLEX ELECTRONIC TECHNOLOGIES, LLC AND SHOULD NOT BE USED WITHOUT WRITTEN PERMISSION		CURRENT REV DESC:		 MX150 BLADE SINGLE ROW SEALED ASSY MAT SEAL			
	DIMENSION UNITS	SCALE	EC NO: 602373					DOCUMENT NUMBER
	MM ONLY	3:1	DRWN: DSHETTY01 2018/05/25		SD-33481-0001	PSD	001	A1
	GENERAL TOLERANCES (UNLESS SPECIFIED)		CHK'D: MVANSLAMBROU 2018/10/04		PRODUCT CUSTOMER DRAWING			
	ANGULAR TOL ± 1.0°		APPR: MVANSLAMBROU 2018/10/04		INITIAL REVISION:			
	4 PLACES ±		DRWN: APROFFITT 2015/07/21		MATERIAL NUMBER			
	3 PLACES ±		APPR: KDEKOSKI 2016/06/14		CUSTOMER			
	2 PLACES ± 0.1		DRAWING		SHEET NUMBER			
	1 PLACE ± 0.2		THIRD ANGLE PROJECTION		SEE NOTE 2a.			
	0 PLACES ±		DRAWING		GENERAL MARKET			
DRAFT WHERE APPLICABLE MUST REMAIN WITHIN DIMENSIONS		SERIES		3 OF 9				
		A1-SIZE						
		33481						

SHEET DESCRIPTION
KEY CONFIGURATIONS CONT.

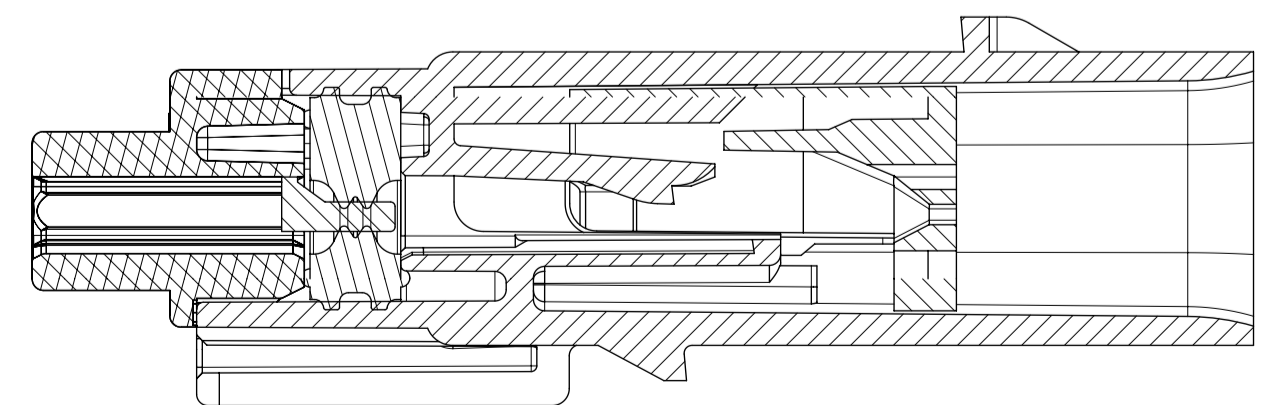
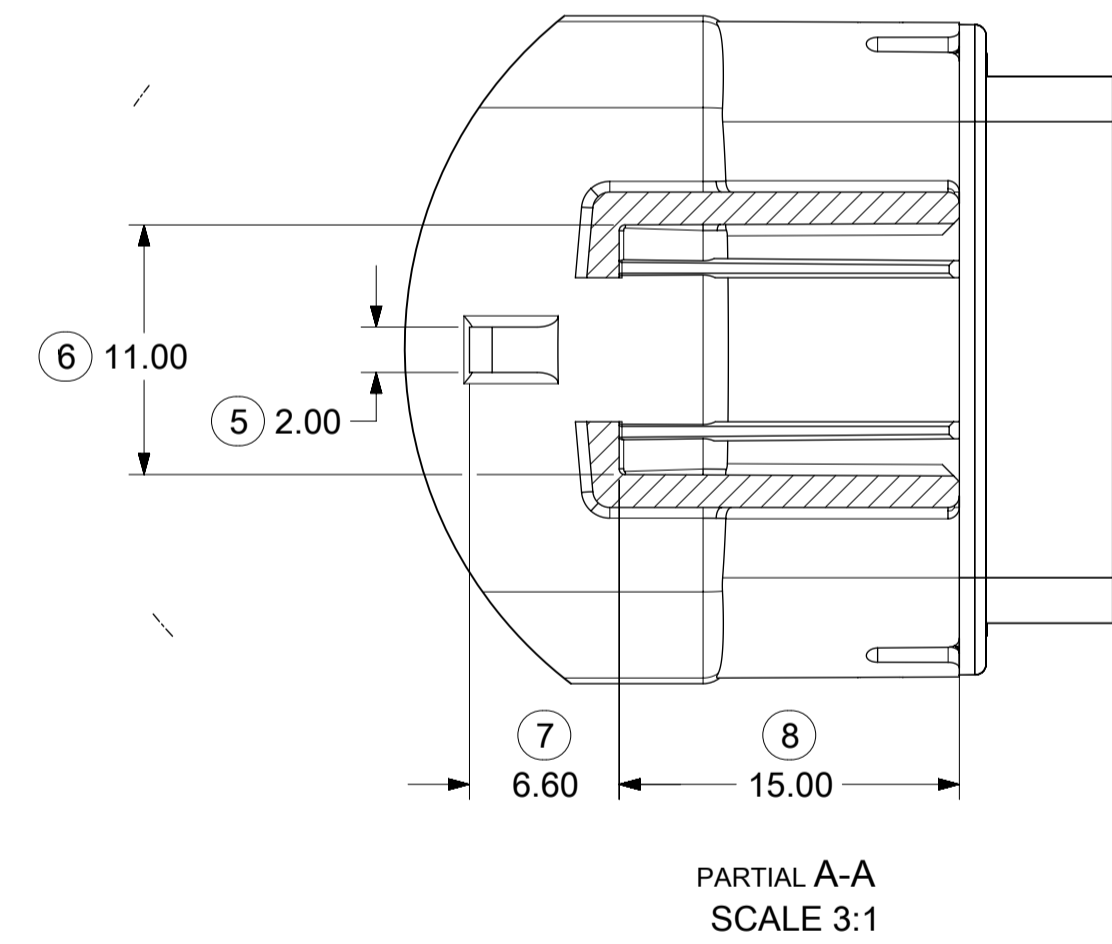
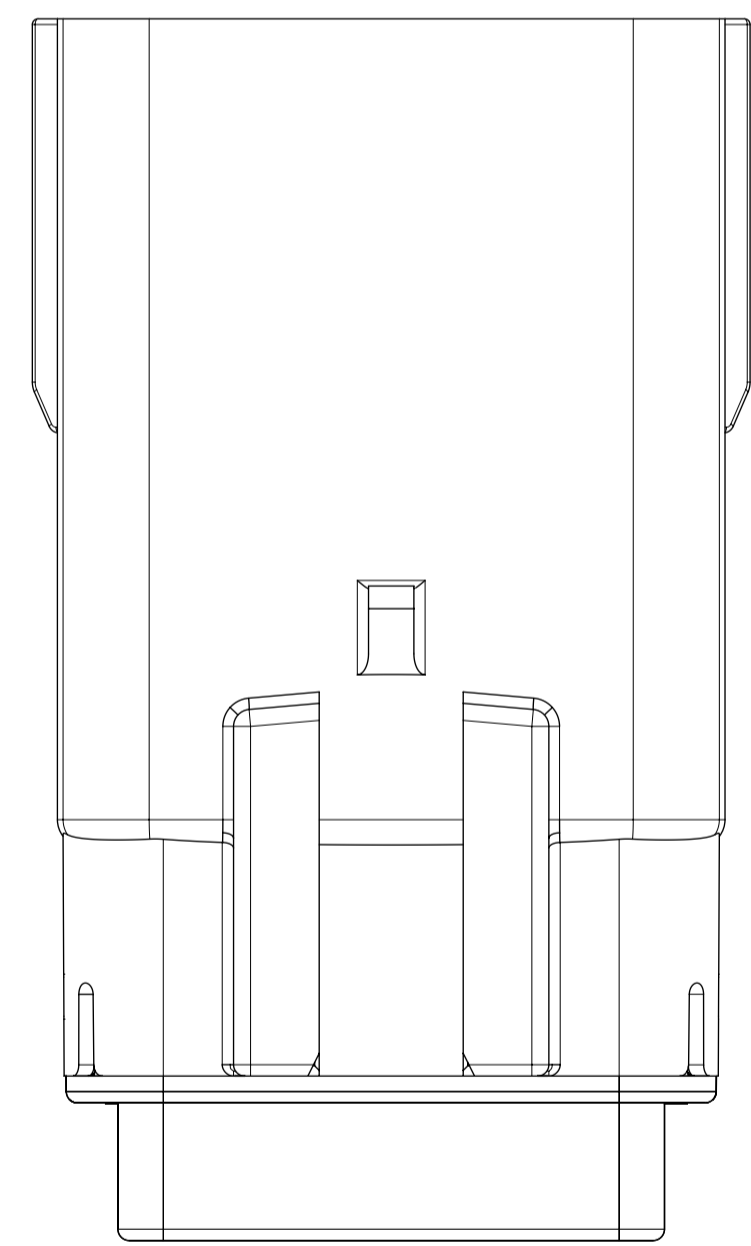
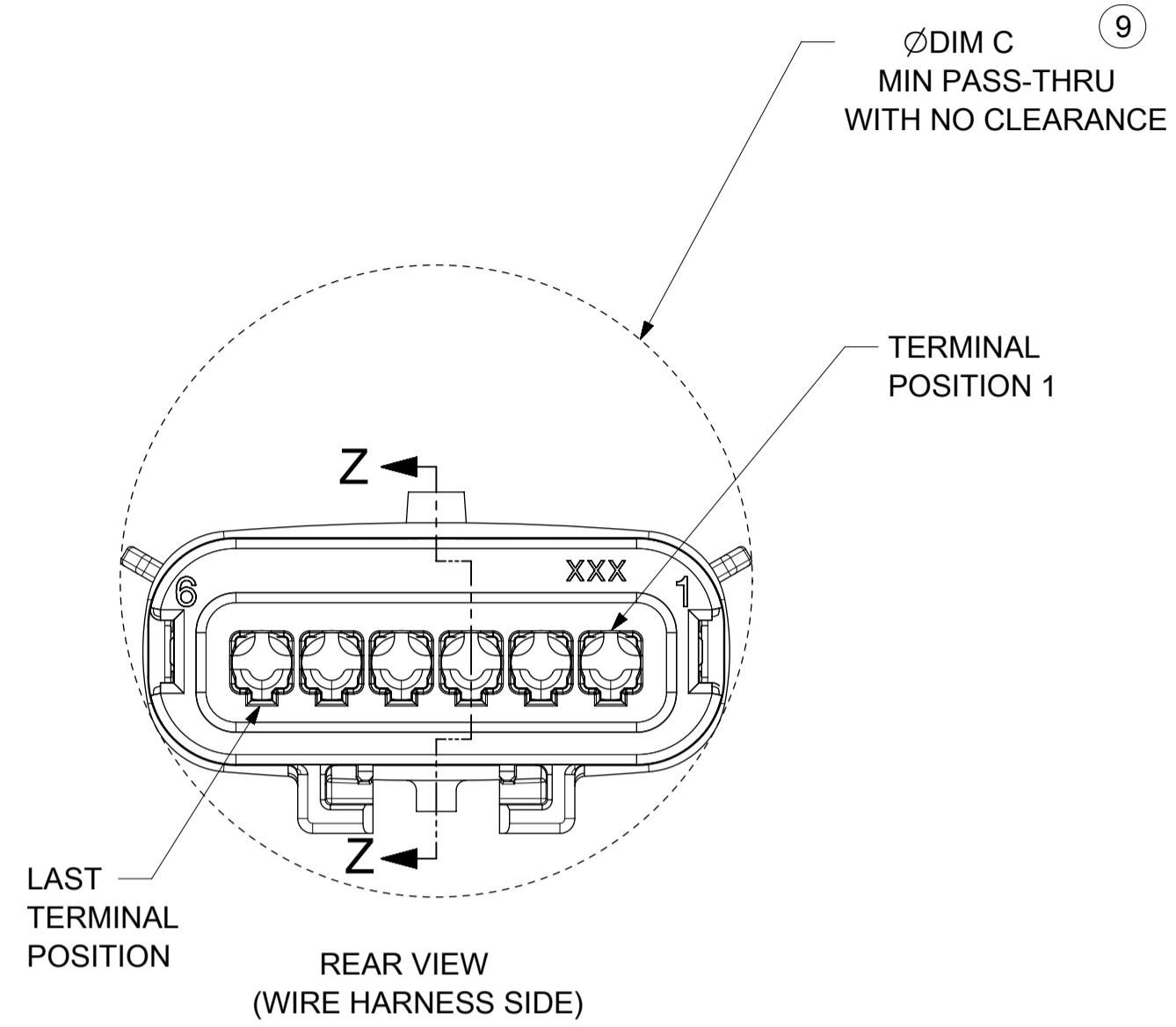
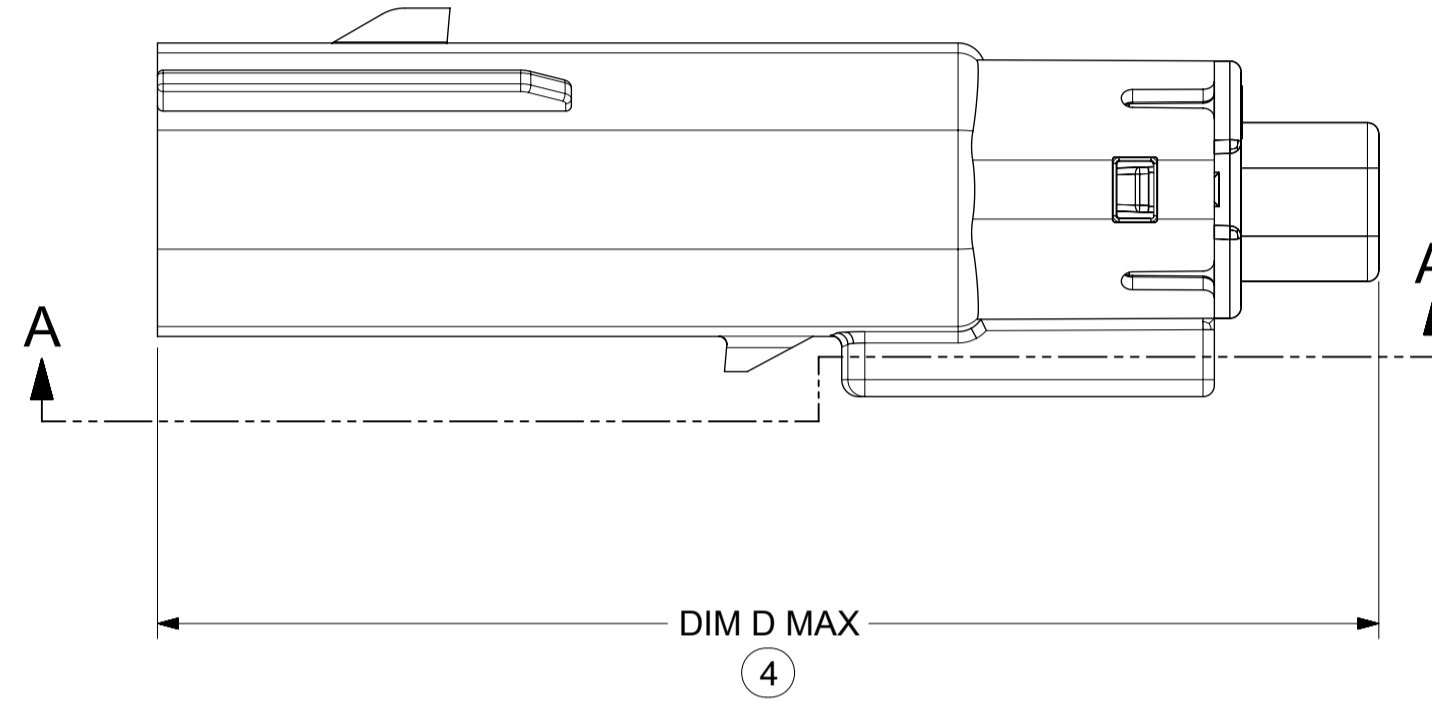
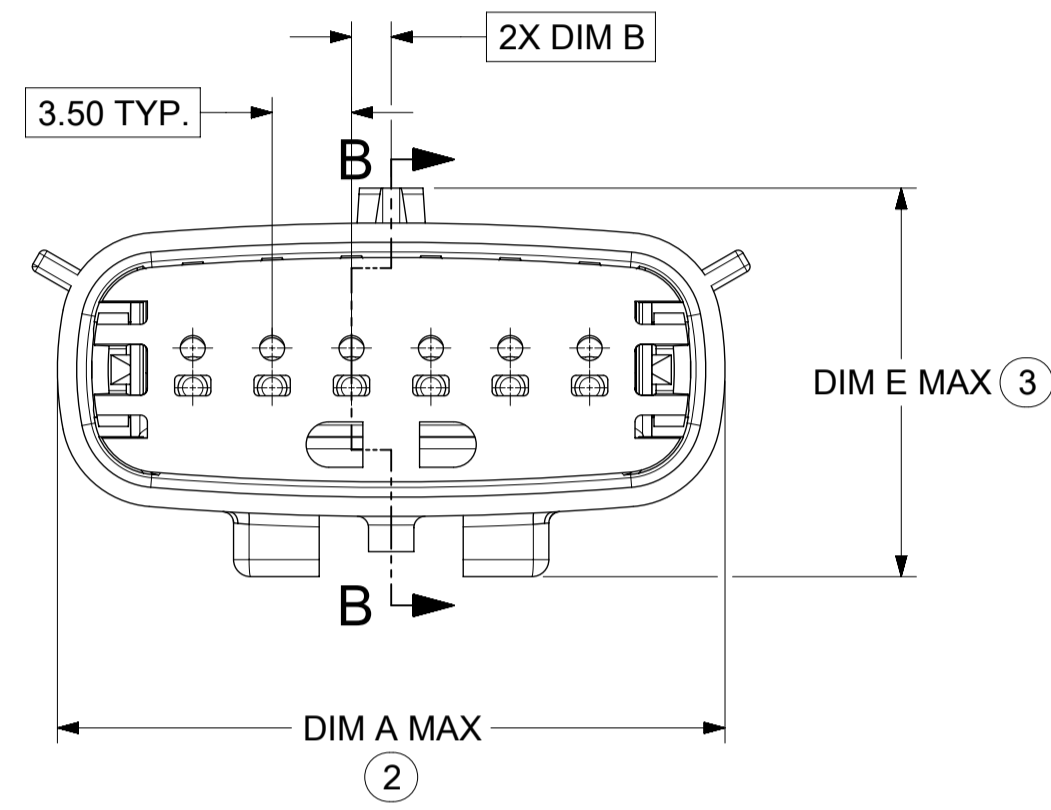
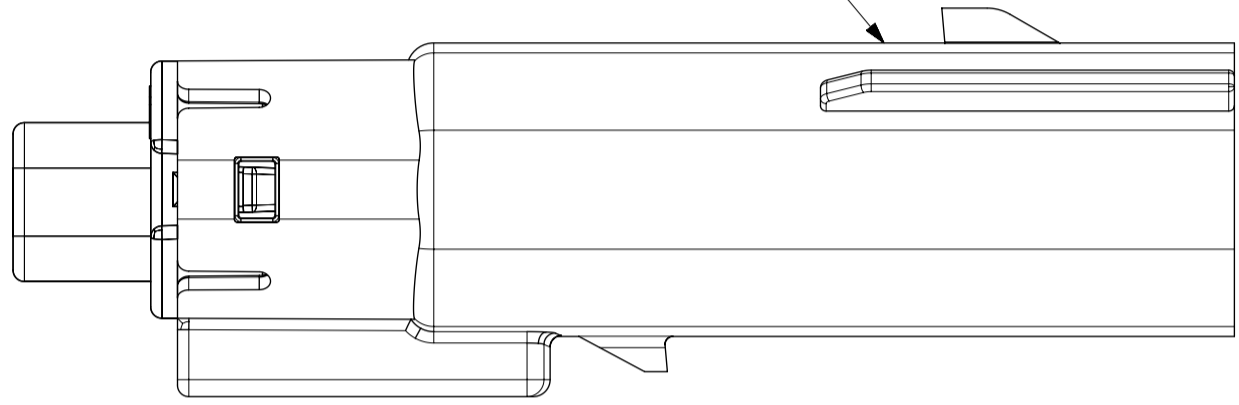


SYMBOLS = 0 = 0 = 0 = 0 = 0 = 0 = 0 = 0 = 0	THIS DRAWING CONTAINS INFORMATION THAT IS PROPRIETARY TO MOLEX ELECTRONIC TECHNOLOGIES, LLC AND SHOULD NOT BE USED WITHOUT WRITTEN PERMISSION DIMENSION UNITS: MM ONLY SCALE: 3:1	CURRENT REV DESC: EC NO: 602373 DRWN: DSHETTY01 2018/05/25 CHK'D: MVANSLAMBROU 2018/10/04 APPR: MVANSLAMBROU 2018/10/04	 MX150 BLADE SINGLE ROW SEALED ASSY MAT SEAL		
	GENERAL TOLERANCES (UNLESS SPECIFIED) ANGULAR TOL ± 1.0° 4 PLACES ± 3 PLACES ± 2 PLACES ± 0.1 1 PLACE ± 0.2 0 PLACES ±	INITIAL REVISION: DRWN: APROFFITT 2015/07/21 APPR: KDEKOSKI 2016/06/14			
DRAFT WHERE APPLICABLE MUST REMAIN WITHIN DIMENSIONS	THIRD ANGLE PROJECTION 	DRAWING: A1-SIZE SERIES: 33481	MATERIAL NUMBER: SEE NOTE 2a. CUSTOMER: GENERAL MARKET SHEET NUMBER: 4 OF 9		

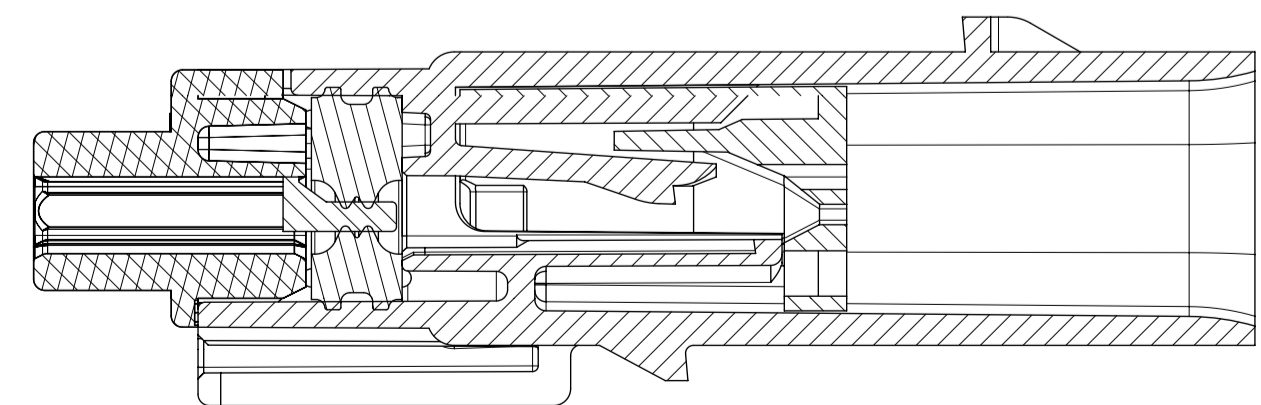
SHEET DESCRIPTION
BLADE SEALED ASSEMBLY

DESCRIPTION	DIMENSIONS				
	A	B	C	D	E
1X2	N/A	1.75	21.00	55.50	17.30
1X6	29.69	1.75	31.71	54.45	17.23

OPTIONAL LASER MARKING ON THIS SURFACE SEE NOTE 3g.



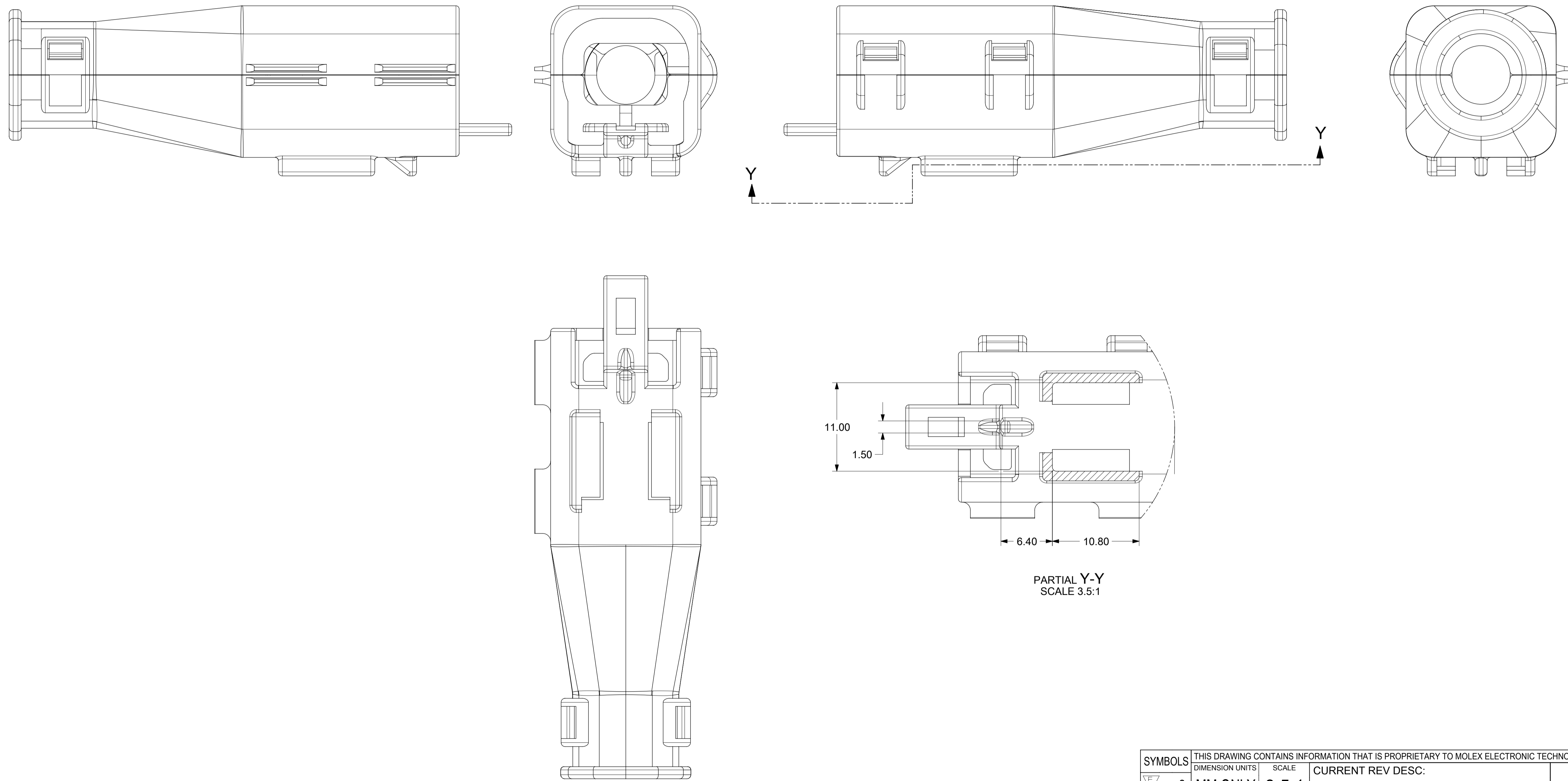
PRIMARY LOCK REINFORCEMENT (PLR) SHOWN IN PRE-STAGED POSITION SECTION B-B



PRIMARY LOCK REINFORCEMENT (PLR) SHOWN IN FINAL-LOCK POSITION SECTION Z-Z

SYMBOLS THIS DRAWING CONTAINS INFORMATION THAT IS PROPRIETARY TO MOLEX ELECTRONIC TECHNOLOGIES, LLC AND SHOULD NOT BE USED WITHOUT WRITTEN PERMISSION DIMENSION UNITS: MM ONLY SCALE: 3:1 GENERAL TOLERANCES (UNLESS SPECIFIED): ANGULAR TOL: ± 1.0° 4 PLACES ± 3 PLACES ± 2 PLACES ± 0.1 1 PLACE ± 0.2 0 PLACES ± DRAFT WHERE APPLICABLE MUST REMAIN WITHIN DIMENSIONS THIRD ANGLE PROJECTION	CURRENT REV DESC: EC NO: 602373 DRWN: DSHETTY01 2018/05/25 CHK'D: MVANSLAMBROU 2018/10/04 APPR: MVANSLAMBROU 2018/10/04 INITIAL REVISION: DRWN: APROFFITT 2015/07/21 APPR: KDEKOSKI 2016/06/14			
	PRODUCT CUSTOMER DRAWING DOCUMENT NUMBER: SD-33481-0001 DOC TYPE: PSD DOC PART: 001 REVISION: A1		MATERIAL NUMBER: SEE NOTE 2a. CUSTOMER: GENERAL MARKET SHEET NUMBER: 5 OF 9	

SHEET DESCRIPTION
BACKSHELL

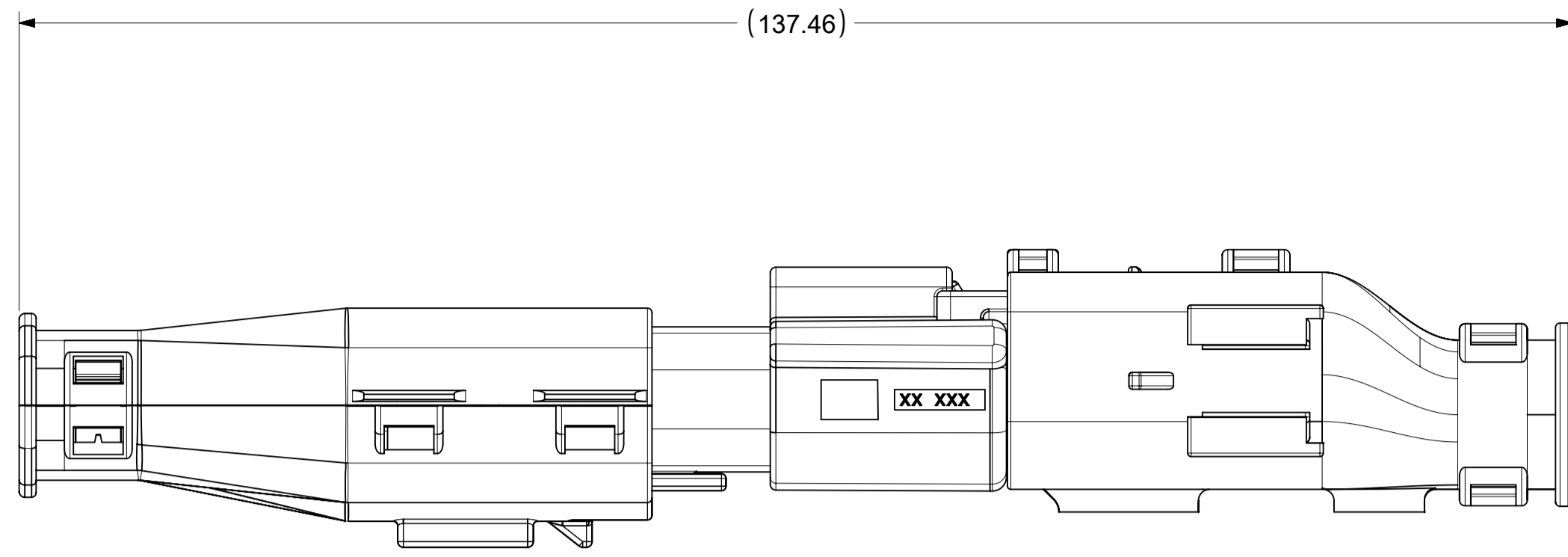


PARTIAL Y-Y
SCALE 3.5:1

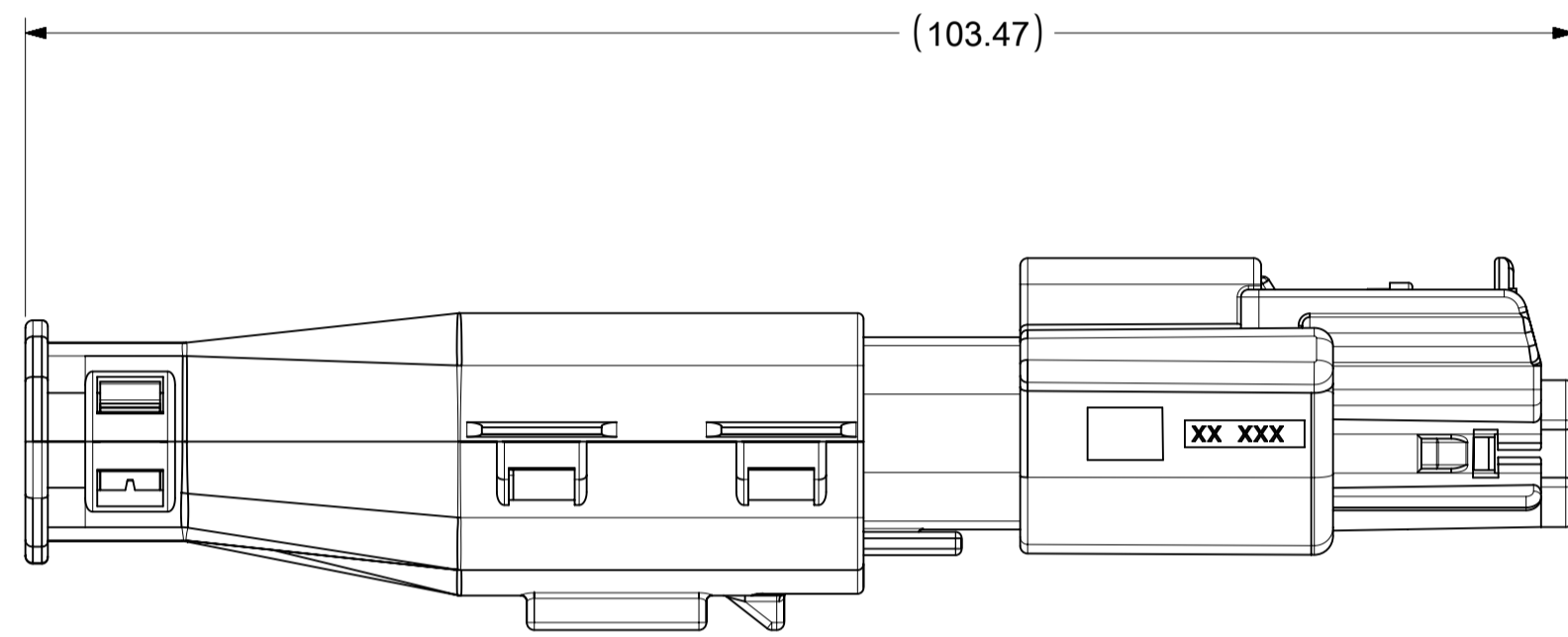
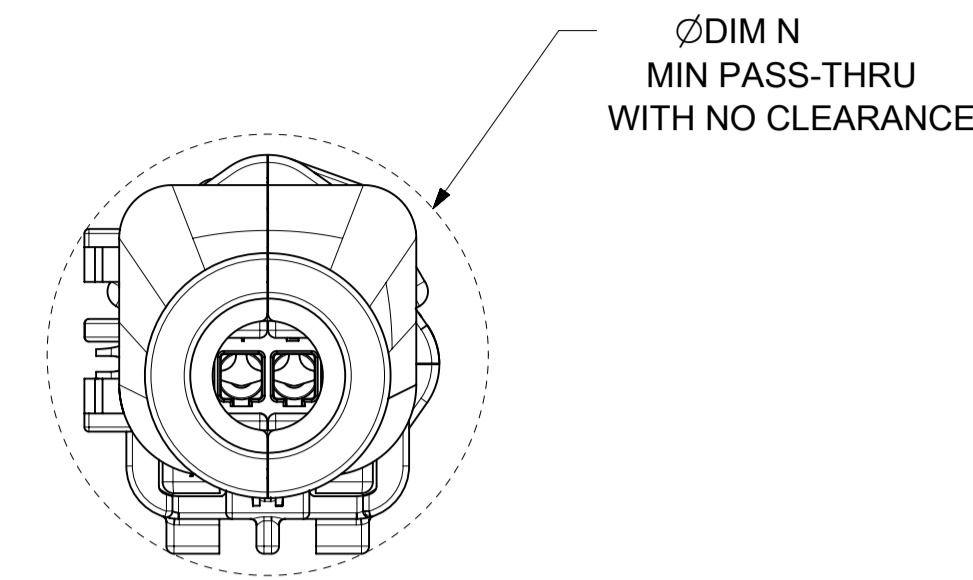
SYMBOLS = 0 = 0 = 0 = 0 = 0	THIS DRAWING CONTAINS INFORMATION THAT IS PROPRIETARY TO MOLEX ELECTRONIC TECHNOLOGIES, LLC AND SHOULD NOT BE USED WITHOUT WRITTEN PERMISSION DIMENSION UNITS: MM ONLY SCALE: 3.5:1	CURRENT REV DESC: EC NO: 602373 DRWN: DSHETTY01 2018/05/25 CHK'D: MVANSLAMBROU 2018/10/04 APPR: MVANSLAMBROU 2018/10/04 INITIAL REVISION: DRWN: APROFFITT 2015/07/21 APPR: KDEKOSKI 2016/06/14	 MX150 BLADE SINGLE ROW SEALED ASSY MAT SEAL					
	GENERAL TOLERANCES (UNLESS SPECIFIED) ANGULAR TOL ± 1.0° 4 PLACES ± 3 PLACES ± 2 PLACES ± 0.1 1 PLACE ± 0.2 0 PLACES ±					PRODUCT CUSTOMER DRAWING		
	DRAFT WHERE APPLICABLE MUST REMAIN WITHIN DIMENSIONS		THIRD ANGLE PROJECTION 	DRAWING A1-SIZE	SERIES 33481	MATERIAL NUMBER SEE NOTE 2a.	CUSTOMER GENERAL MARKET	SHEET NUMBER 8 OF 9
	DOCUMENT NUMBER SD-33481-0001		DOC TYPE PSD	DOC PART 001	REVISION A1			

SHEET DESCRIPTION
BACKSHELL CONFIGURATIONS

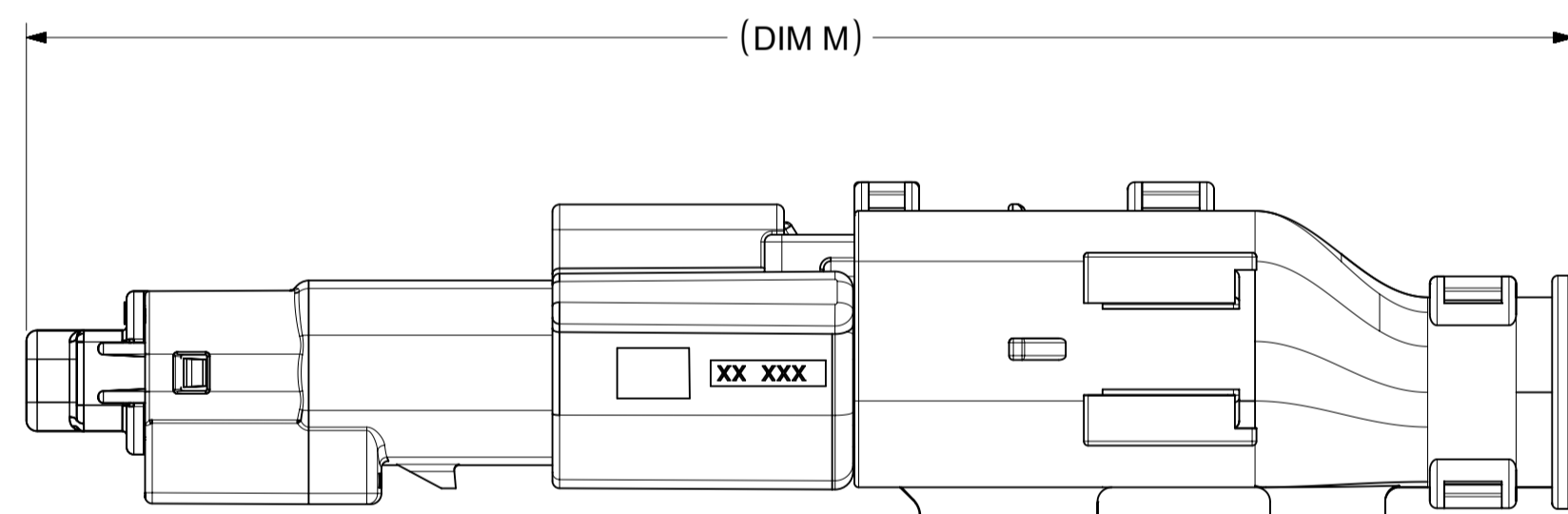
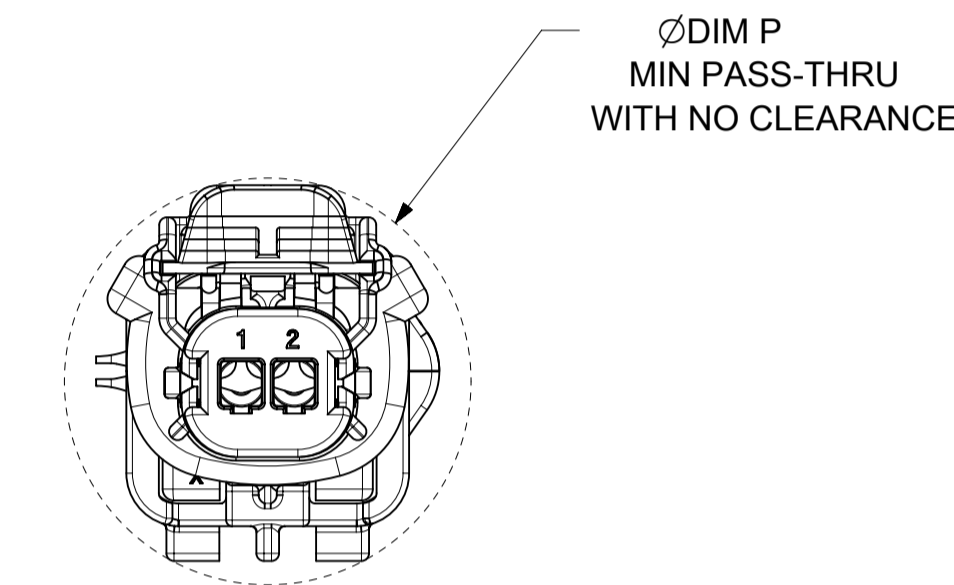
CKT	BLADE CONFIGURATION	RECEPTACLE CONFIGURATION	DIMENSIONS				
			M	N	P	R	S
1X2	STANDARD	STANDARD	107.84	29.50	27.00	26.25	25.00



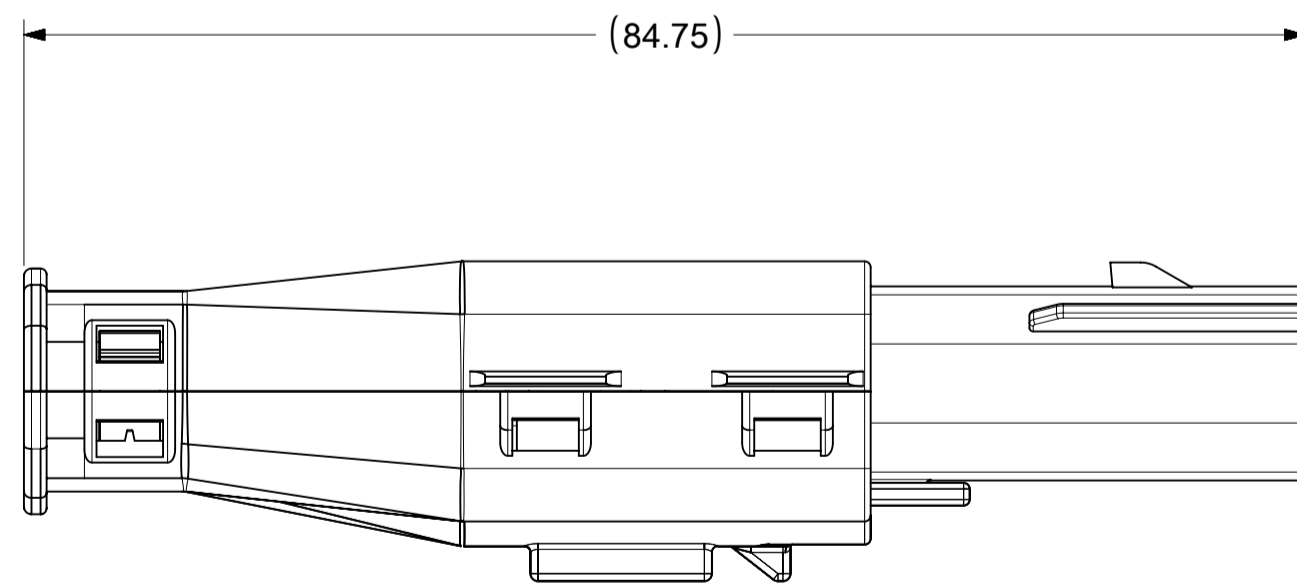
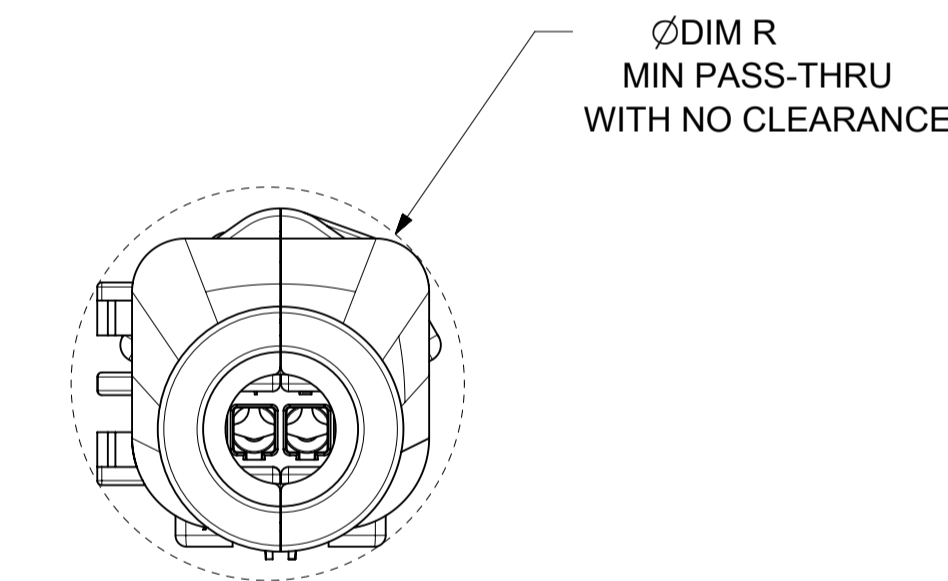
OVERALL MATED SYSTEM WITH BLADE AND RECEPTACLE BACKSHELL



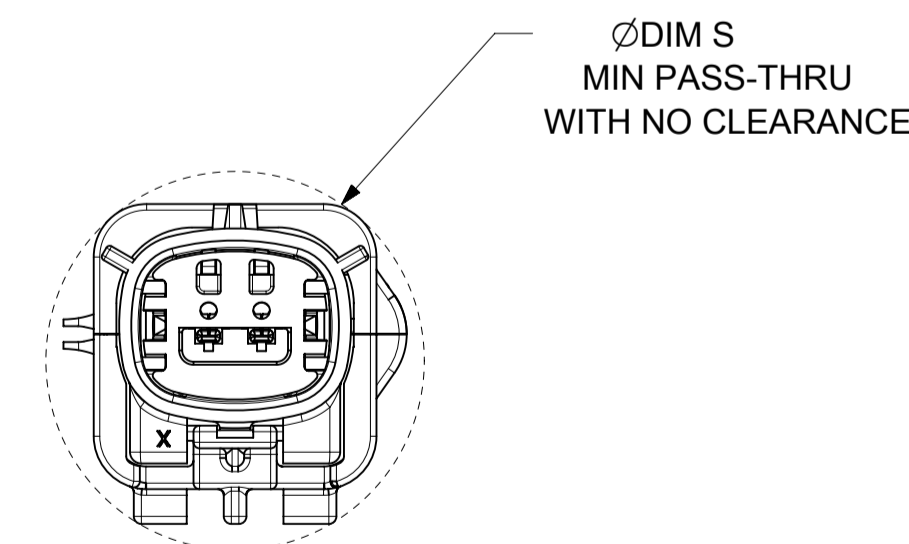
OVERALL MATED SYSTEM WITH BLADE BACKSHELL



OVERALL MATED SYSTEM WITH RECEPTACLE BACKSHELL

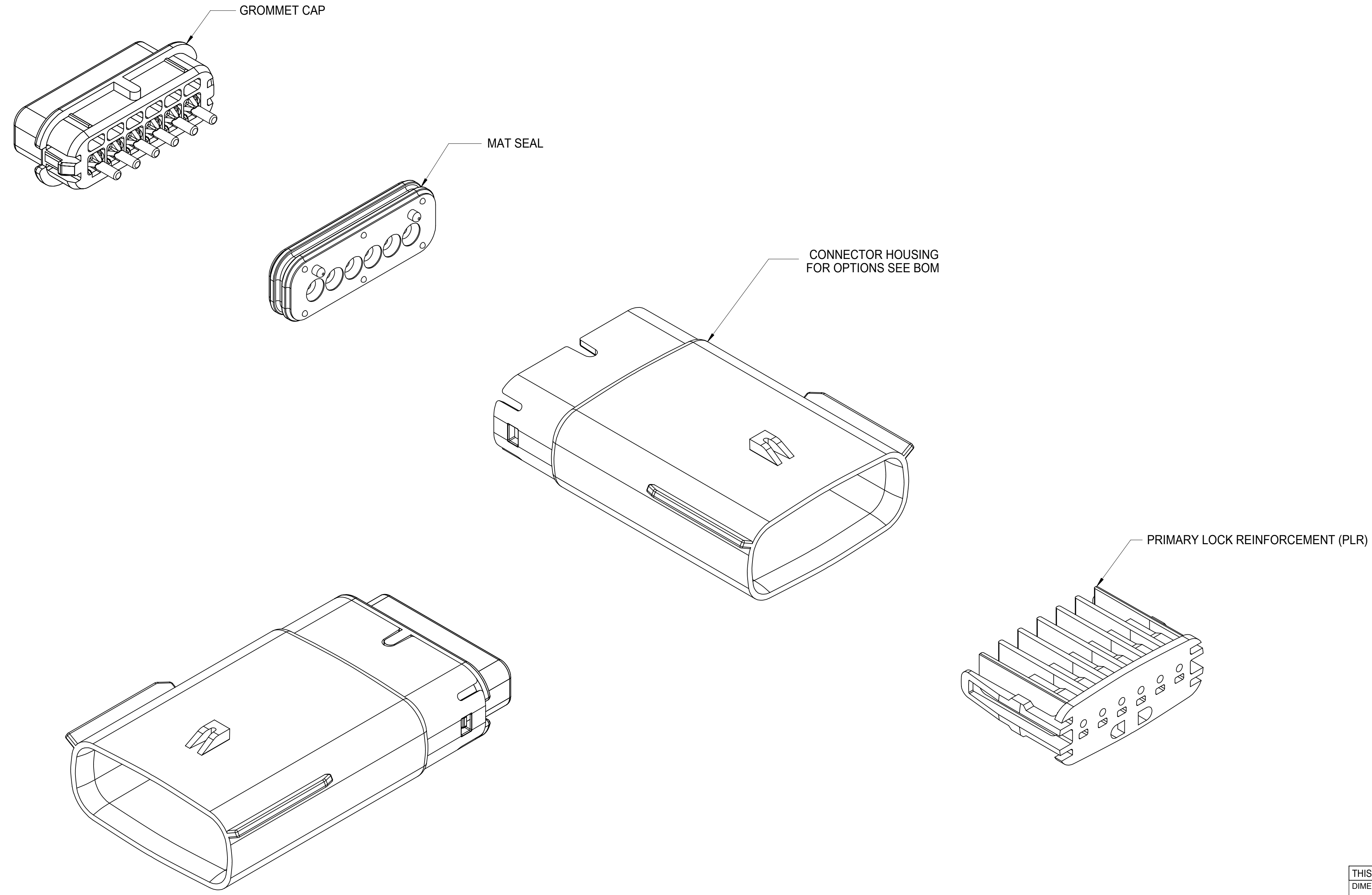


BLADE SEALED ASSEMBLY WITH BLADE BACKSHELL



SYMBOLS = 0 = 0 = 0 = 0 = 0 = 0 = 0 = 0 = 0 = 0	THIS DRAWING CONTAINS INFORMATION THAT IS PROPRIETARY TO MOLEX ELECTRONIC TECHNOLOGIES, LLC AND SHOULD NOT BE USED WITHOUT WRITTEN PERMISSION DIMENSION UNITS: MM ONLY SCALE: 2:1	CURRENT REV DESC: EC NO: 602373 DRWN: DSHETTY01 2018/05/25 CHK'D: MVANSLAMBROU 2018/10/04 APPR: MVANSLAMBROU 2018/10/04 INITIAL REVISION: DRWN: APROFFITT 2015/07/21 APPR: KDEKOSKI 2016/06/14	 MX150 BLADE SINGLE ROW SEALED ASSY MAT SEAL
	GENERAL TOLERANCES (UNLESS SPECIFIED) ANGULAR TOL ± 1.0° 4 PLACES ± 3 PLACES ± 2 PLACES ± 0.1 1 PLACE ± 0.2 0 PLACES ± DRAFT WHERE APPLICABLE MUST REMAIN WITHIN DIMENSIONS	PRODUCT CUSTOMER DRAWING DOCUMENT NUMBER: SD-33481-0001 DOC TYPE: PSD DOC PART: 001 REVISION: A1	MATERIAL NUMBER: SEE NOTE 2a. CUSTOMER: GENERAL MARKET SHEET NUMBER: 9 OF 9

TABLE OF CONTENTS	
SHEET NO.	SHEET DESCRIPTION
1	NOTES
2	KEY CONFIGURATIONS
3	BLADE SEALED ASSEMBLY
4	SYSTEM PACKAGING
5	BOM



NOTES: VALID UNLESS OTHERWISE SPECIFIED

1. GENERAL:

a. APPLICATION SPECIFICATION SEE: AS-33472-100
CONTAINS: PRODUCT INTRODUCTION, PRODUCT SUMMARY, CONNECTOR ASSEMBLY, PACKAGING INFORMATION, CONNECTOR MATING, SERVICE INSTRUCTIONS, ELECTRICAL CONTINUITY CHECKING, CRIMPING, AND TROUBLESHOOTING.
-DESIGNED TO MATE WITH RECEPTACLE SEALED ASSEMBLY SPECIFIED IN MOLEX DRAWING SD-33471-061.
-FOR 1.5mm BLADE TERMINALS TO BE USED WITH THIS ASSEMBLY SEE MOLEX DRAWING SD-33000-001.
- SYSTEM TO BE USED WITH WIRE WITHIN DIAMETER RANGE OF 1.2mm TO 2.69mm.
-ASSEMBLY SHIPPED WITH PLR IN PRE-LOCK POSITION
-IN THE EVENT THAT THE PLR IS FOUND IN THE SEATED (FINAL LOCK) POSITION, REFER TO MOLEX SPECIFICATION PS-34646-001, AVAILABLE AT www.molex.com <<http://www.molex.com>>
-ASSEMBLY CONFORMS TO SAE/USCAR-2 REV.4 WITH THE FOLLOWING EXCEPTIONS:
TERMINAL INSERTION FORCE FOR WIRE DIAMETER ABOVE 2.5mm NOT EXCEEDING 2.69mm SHALL NOT EXCEED 45 NEWTONS.

b. PRODUCT SPECIFICATION SEE: PS-33471-000
CONTAINS: PRODUCT INTRODUCTION, PRODUCT SUMMARY, RATINGS (CURRENT, TEMPERATURE, SEALING, AND FLAMMABILITY), AND PRODUCT VALIDATION.

c. PACKAGING SPECIFICATION PER MOLEX DRAWING: PK-31300-635

d. PARTS MUST BE IN COMPLIANCE TO MOLEX CHEMICAL SUBSTANCES FOR PRODUCTS AND PACKAGING SPECIFICATION: ES-40000-5016

e. DATA MUST BE SUBMITTED UNDER THE MOLEX PART NUMBER TO IMDS (COMPANY ID#13255)

2. DESIGN - MATERIALS:

a. CONNECTOR HOUSING, GROMMET CAP, PLR: SPS/NYLON BLEND 20% GLASS FILLED
b. MAT SEAL: INHERENTLY LUBRICATED SILICONE

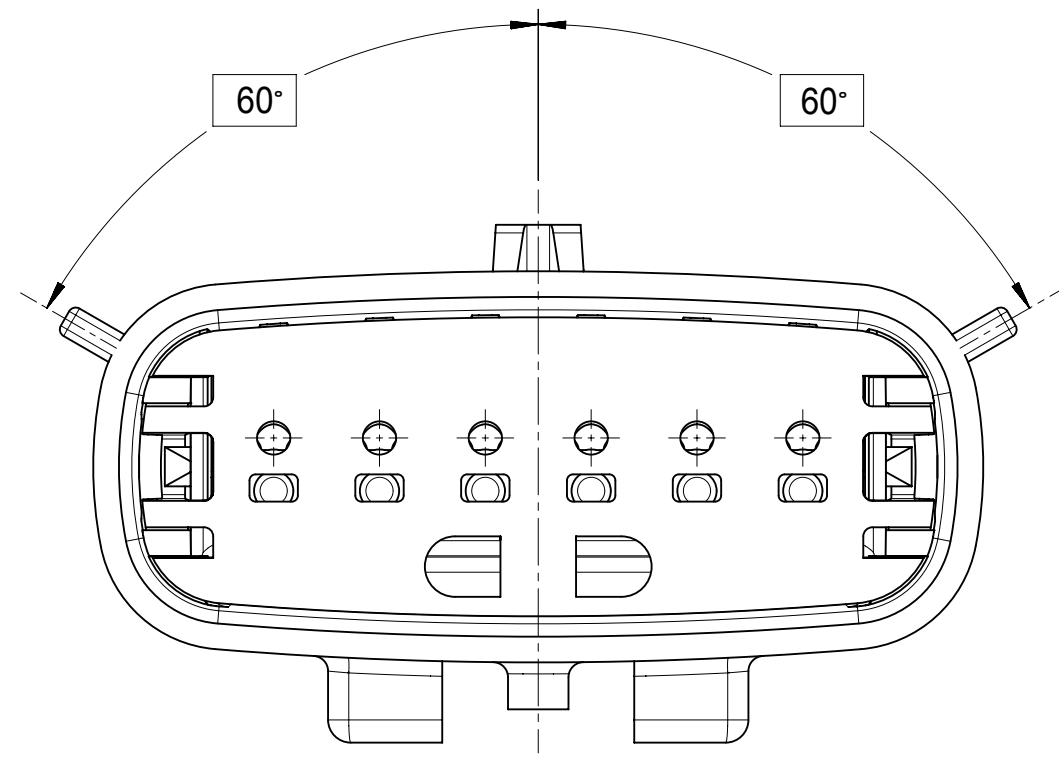
3. DESIGN - GEOMETRY:

a. THIS IS A 100% CAD GENERATED PART. THE CAD MATHEMATICAL DATA IS THE MASTER FOR THIS PART. FOR DIMENSIONAL OR ANY INFORMATION NOT SHOWN ON THIS DRAWING, ANALYZE THE CAD MODEL.
b. GEOMETRIC DIMENSIONS AND TOLERANCES PER ASME Y14.5M - 1994
c. EDGES AND UNDIMENSIONED DETAILS PER ISO13715
d. CORNERS SHOWN AS SHARP TO BE R 0.2 MAX.
e. LETTERING SHALL BE 0.15 MAX RAISED IN 0.25 MAX RECESS PAD. THIS INCLUDES RECYCLING CODE, CAVITY ID, VENDOR IDENTIFICATION, AND CUSTOMER MATERIAL NUMBER.
f. VISUAL DEFECTS SHALL MEET COSMETIC STANDARD PS-45499-002 (Class B)
g. LASER MARKING: TBD

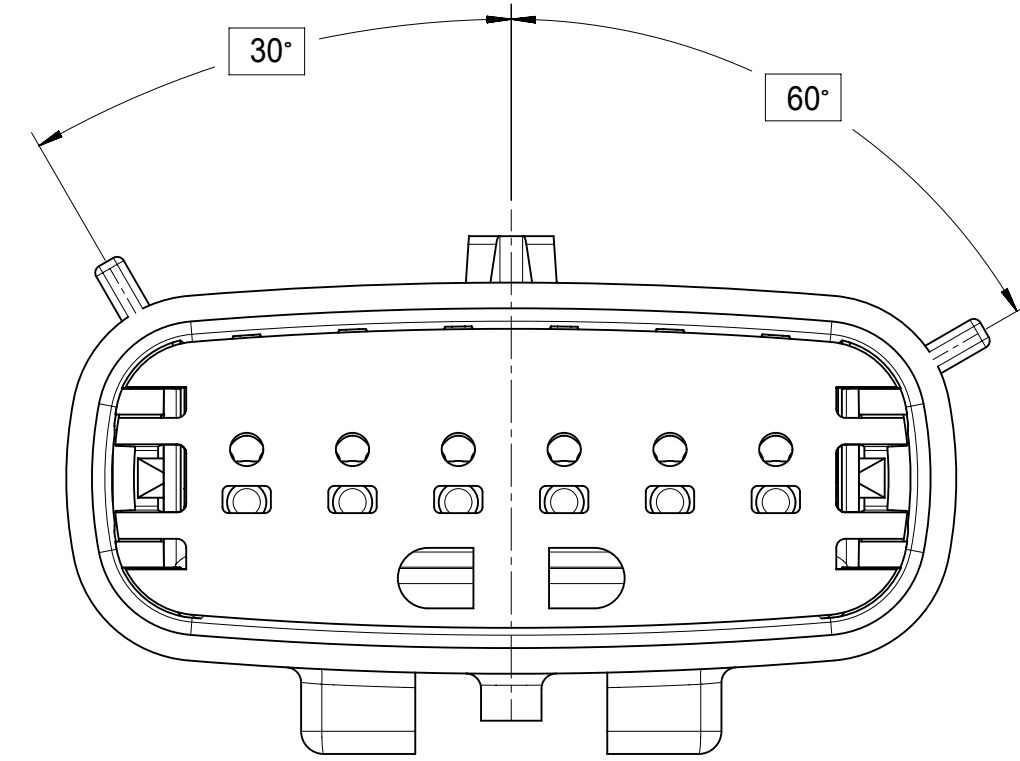
INSPECTION NUMBER LOG
LAST NUMBER USED: 8
ADDED:
REMOVED:

V6	ADD NEW P/N 33481-6625 TO 33481-6626
V5	CHANGED PARTS STATUS TO "NOT RECOMMENDED" FOR SINGLE ROW BLADE MAT SEAL CHANGE
V4	UPDATE 33481-0602/0607/0612/0618/0619 STATUS TO "SALEABLE" AND UPDATE 33481-0603/0604/0608/0609/0613/0614 STATUS TO "NOT RECOMMENDED" ON SHEET 5; UPDATE 33481-6602/6607/6612/6618/6619 STATUS TO "SALEABLE" AND UPDATE 33481-6603/6604/6608/6609/6613/6614 STATUS TO "NOT RECOMMENDED" ON SHEET 5;
V3	ADD NEW P/N 33481-6601 TO 33481-6624
V2	ADD NEW P/N 33481-0624
V1	ADD NEW P/N 33481-0623
U	ADD NEW P/N 33481-0621 33481-0622
T	ADD NEW P/N 33481-0620
S	UPDATED GROMMET CAP
R1	UPDATED DIMENSIONS TO MATCH MODEL
R	COLOR REPLACEMENT FOR KEY C AND D PER USCAR STANDARD
Q	REDRAWN
REV	DESCRIPTION

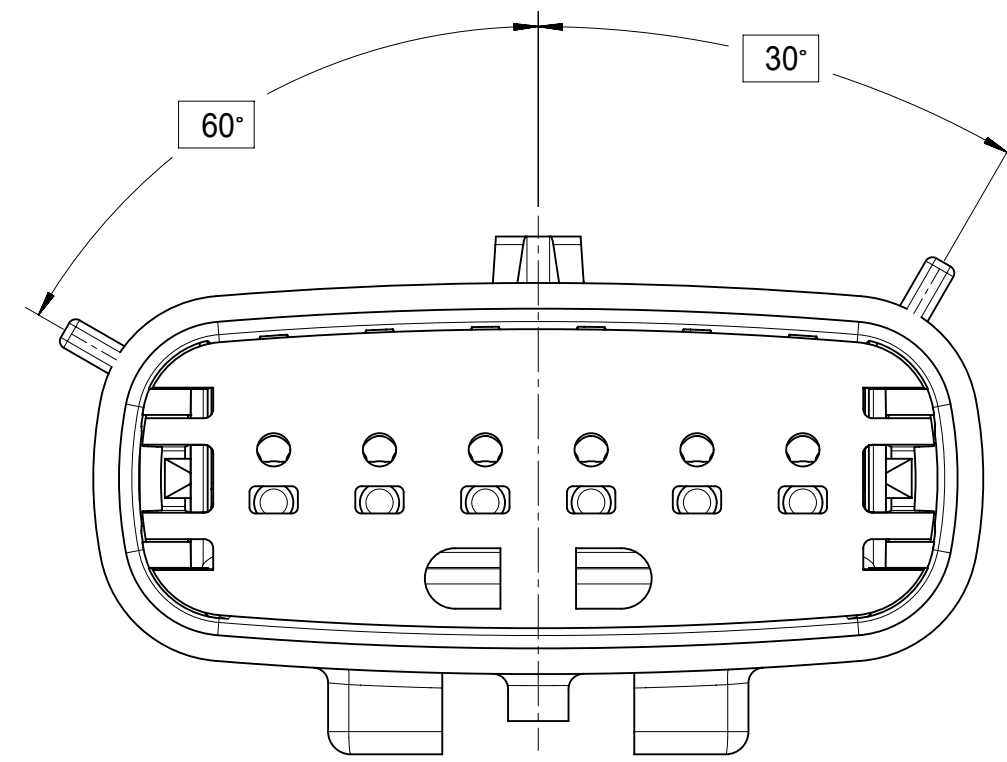
THIS DRAWING CONTAINS INFORMATION THAT IS PROPRIETARY TO MOLEX ELECTRONIC TECHNOLOGIES, LLC AND SHOULD NOT BE USED WITHOUT WRITTEN PERMISSION		CURRENT REV DESC: SEE REVISION TABLE			
DIMENSION UNITS	SCALE	EC NO: 654141			
mm	3:1	DRWN: SCV 2021/01/29		MX150 1X6 BLADE SEALED ASSEMBLY MAT SEAL PRODUCT CUSTOMER DRAWING	
GENERAL TOLERANCES (UNLESS SPECIFIED)		CHK'D: GGA 2021/02/03			
ANGULAR TOL ± 3.0°		APPR: GGA 2021/02/03			
4 PLACES ±		INITIAL REVISION:		DOCUMENT NUMBER	
3 PLACES ±		DRWN: DGRIFITHS 2005/08/26		DOC TYPE	
2 PLACES ± 0.1		APPR: smarceau 2005/08/29		DOC PART	
1 PLACE ± 0.3		DRAFT WHERE APPLICABLE MUST REMAIN WITHIN DIMENSIONS		REVISION	
0 PLACES ±		THIRD ANGLE PROJECTION		SD-33481-061	
		DRAWING SERIES		PSD	
		D-SIZE 33481		001	
		MATERIAL NUMBER		V6	
		CUSTOMER		1 OF 5	
		SEE BOM			
		GENERAL MARKET			



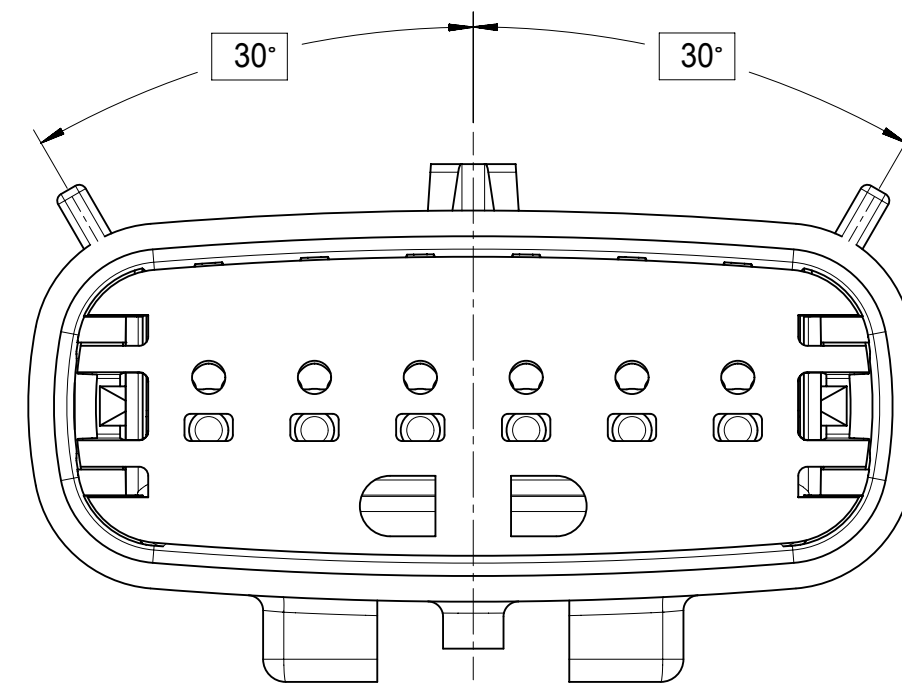
KEY A



KEY B



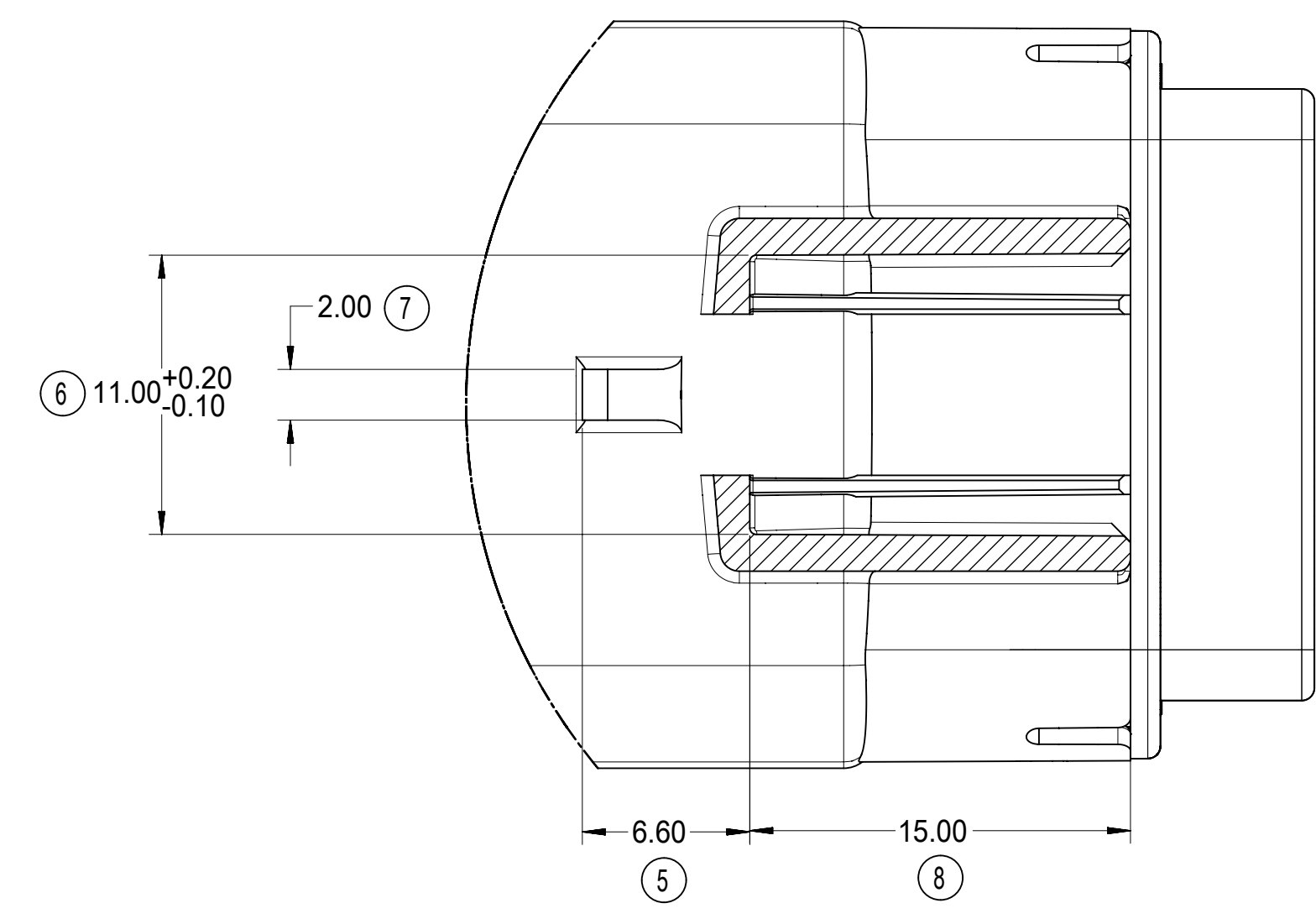
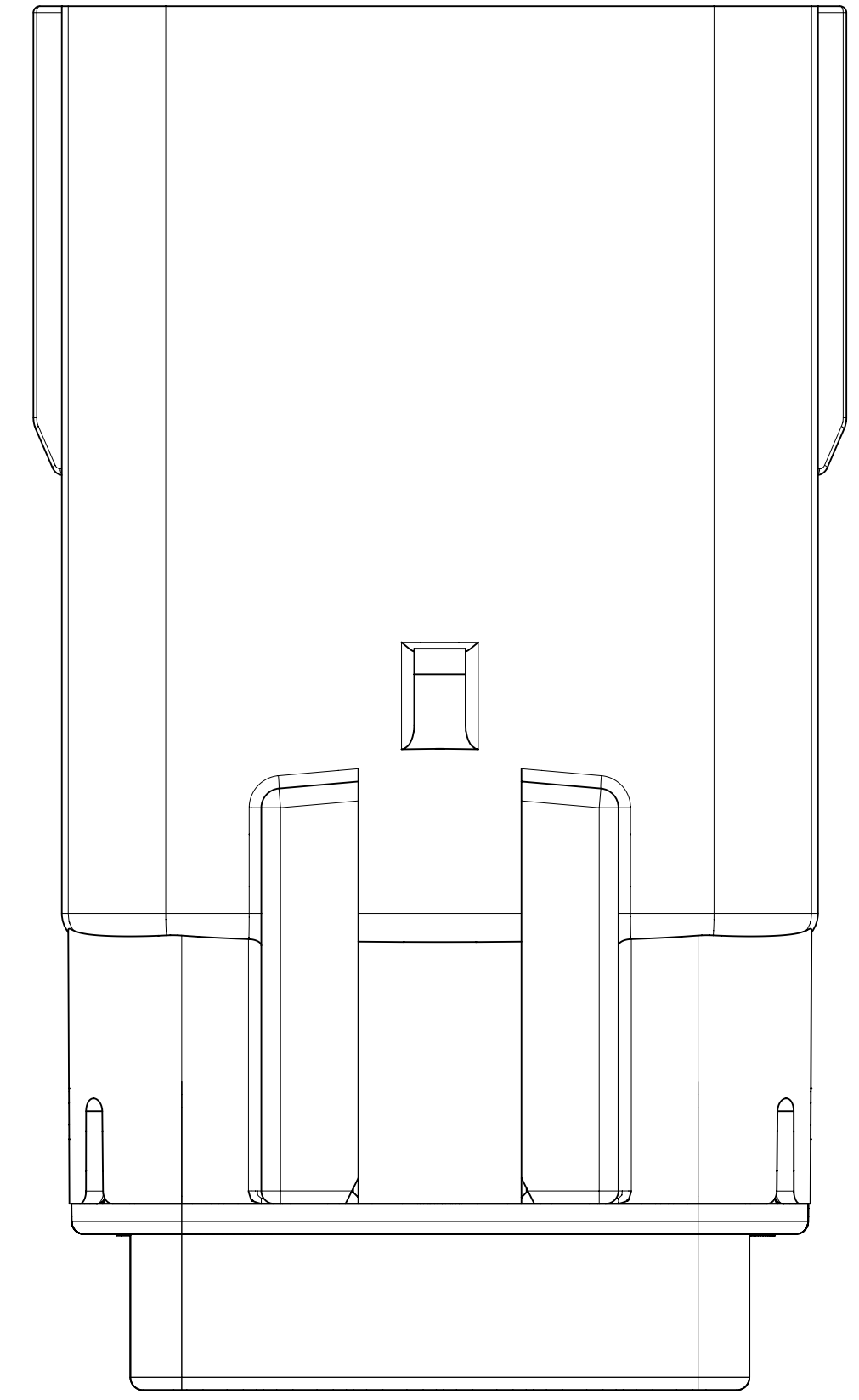
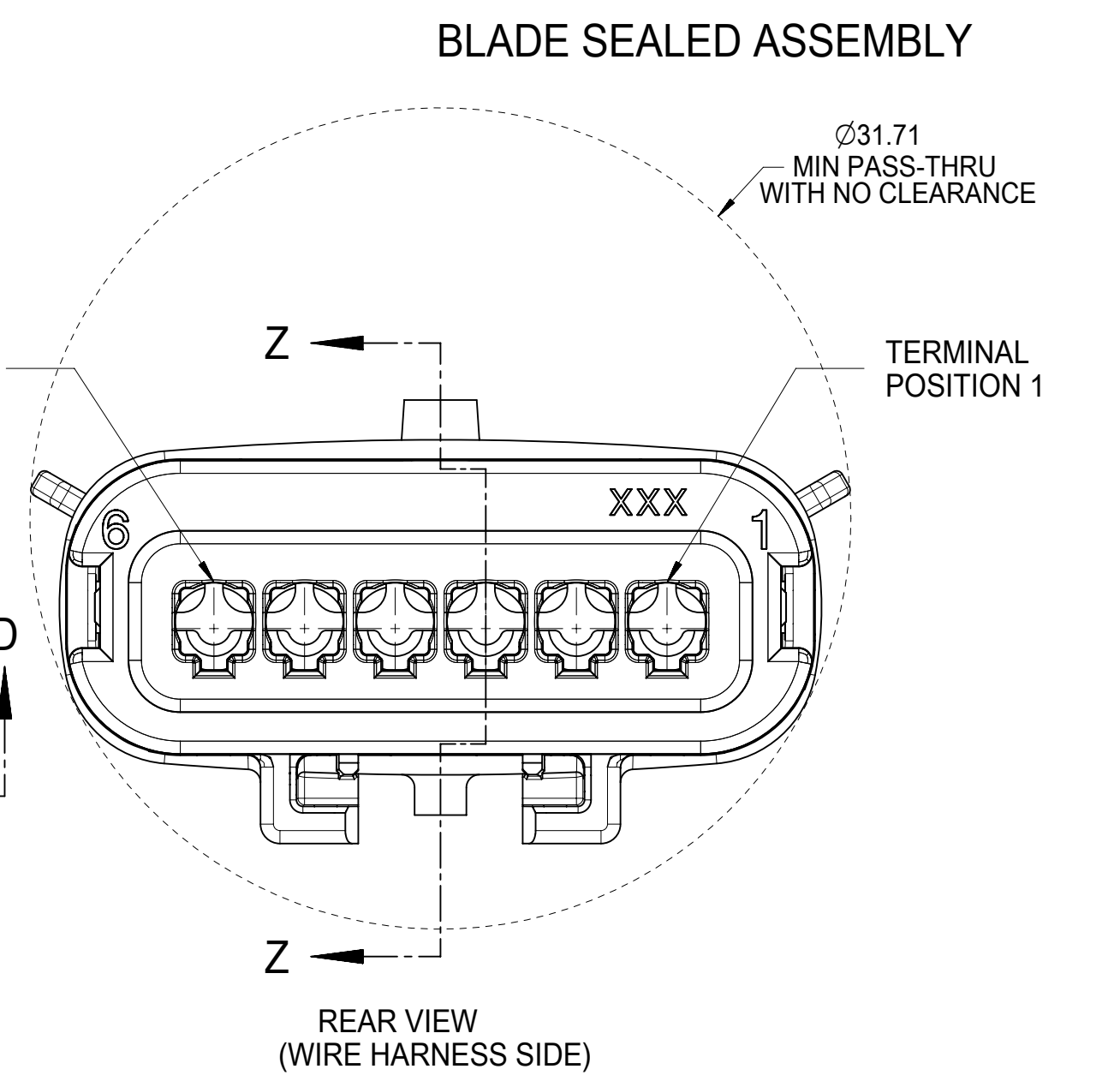
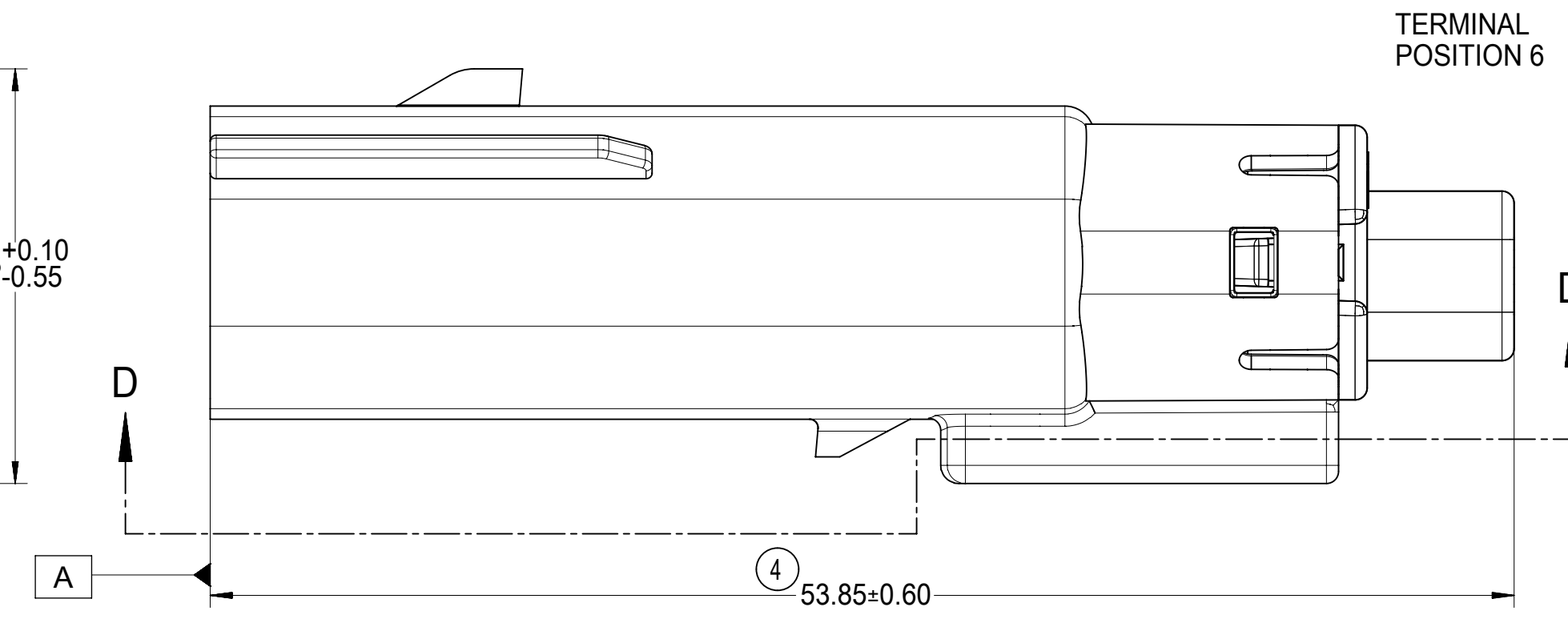
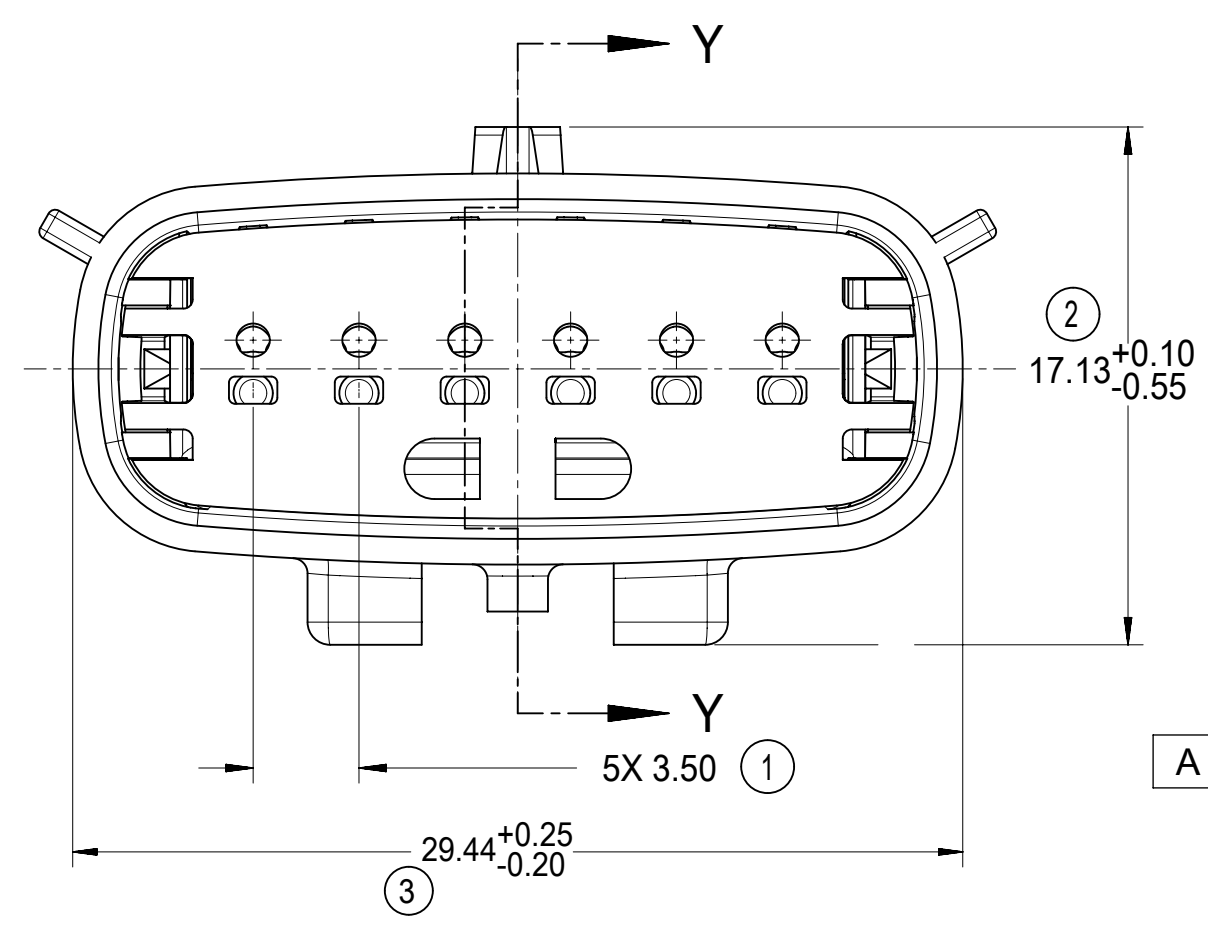
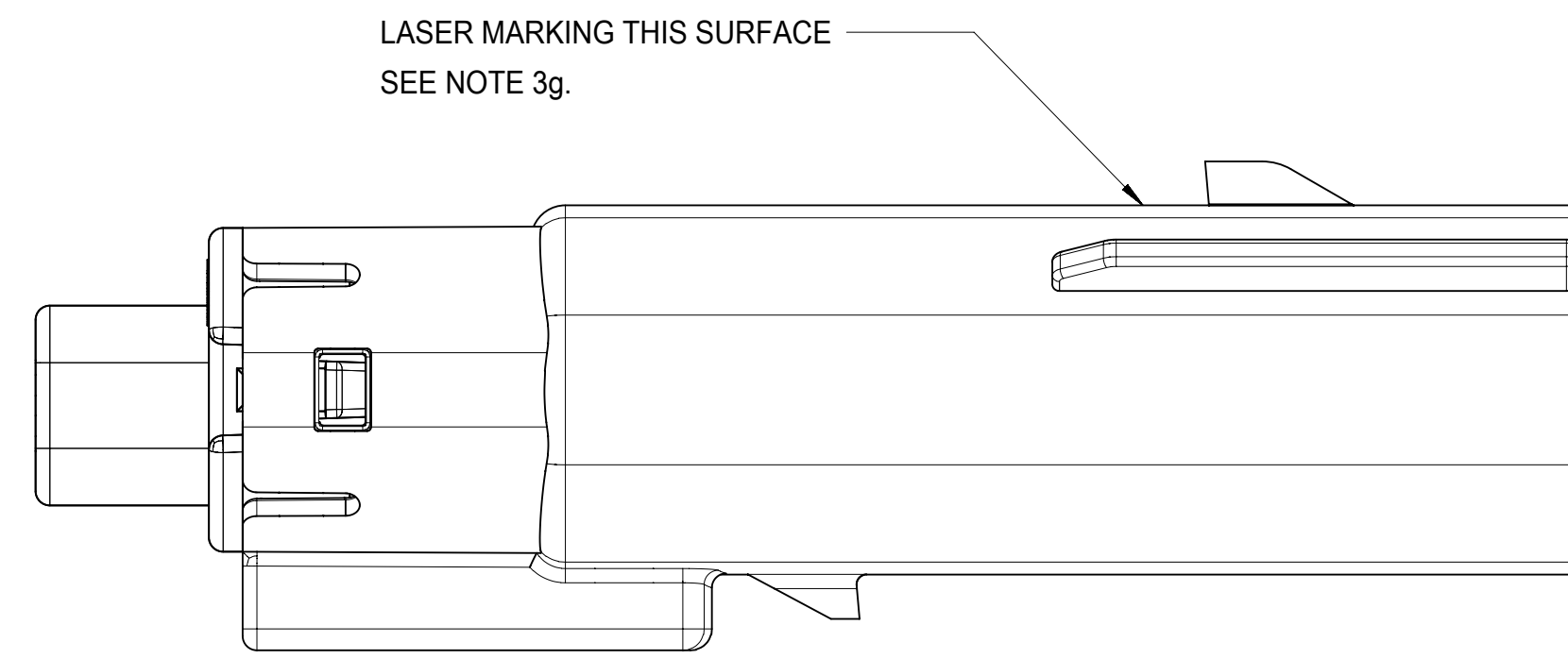
KEY C



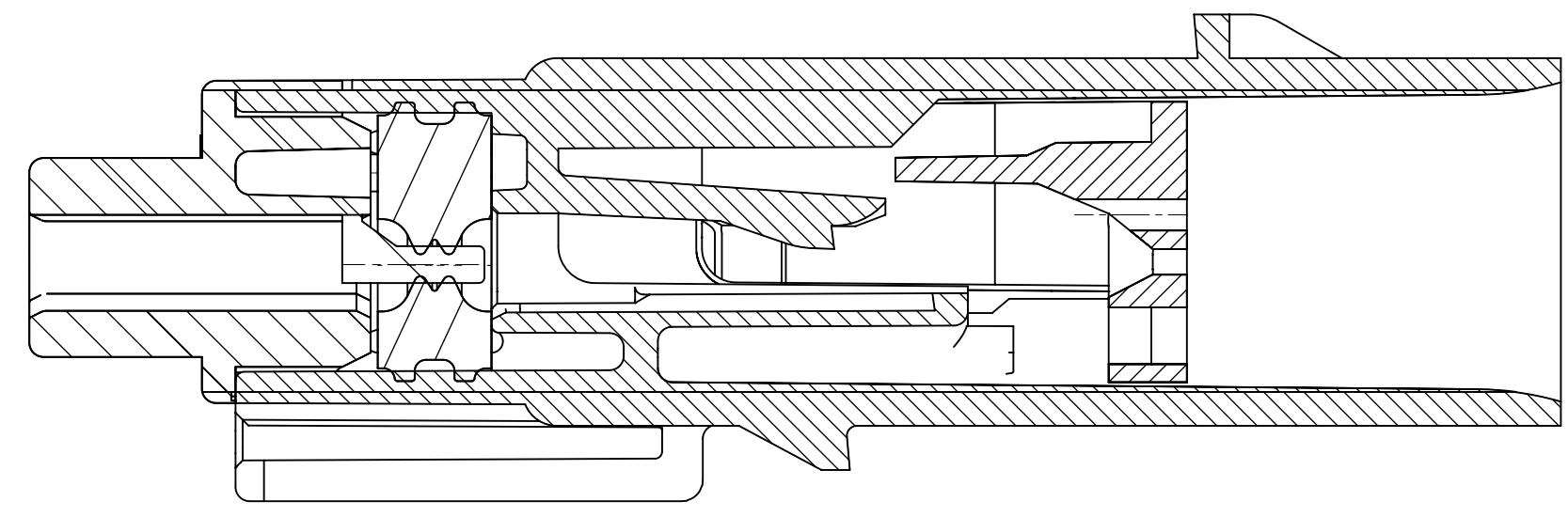
KEY D

THIS DRAWING CONTAINS INFORMATION THAT IS PROPRIETARY TO MOLEX ELECTRONIC TECHNOLOGIES, LLC AND SHOULD NOT BE USED WITHOUT WRITTEN PERMISSION

DIMENSION UNITS	SCALE	CURRENT REV DESC: SEE REVISION TABLE					
mm	4:1						
GENERAL TOLERANCES (UNLESS SPECIFIED)		EC NO: 654141		MX150 1X6 BLADE SEALED ASSEMBLY MAT SEAL PRODUCT CUSTOMER DRAWING			
ANGULAR TOL	± 3.0°	DRWN: SCV	2021/01/29				
4 PLACES	±	CHK'D: GGA	2021/02/03	DOCUMENT NUMBER: SD-33481-061 DOC TYPE: PSD DOC PART: 001 REVISION: V6			
3 PLACES	±	APPR: GGA	2021/02/03				
2 PLACES	± 0.1	INITIAL REVISION:		MATERIAL NUMBER: SEE BOM CUSTOMER: GENERAL MARKET SHEET NUMBER: 2 OF 5			
1 PLACE	± 0.3	DRWN: DGRIFITHS	2005/08/26				
0 PLACES	±	APPR: smarceau	2005/08/29	DRAFT WHERE APPLICABLE MUST REMAIN WITHIN DIMENSIONS			
		THIRD ANGLE PROJECTION					

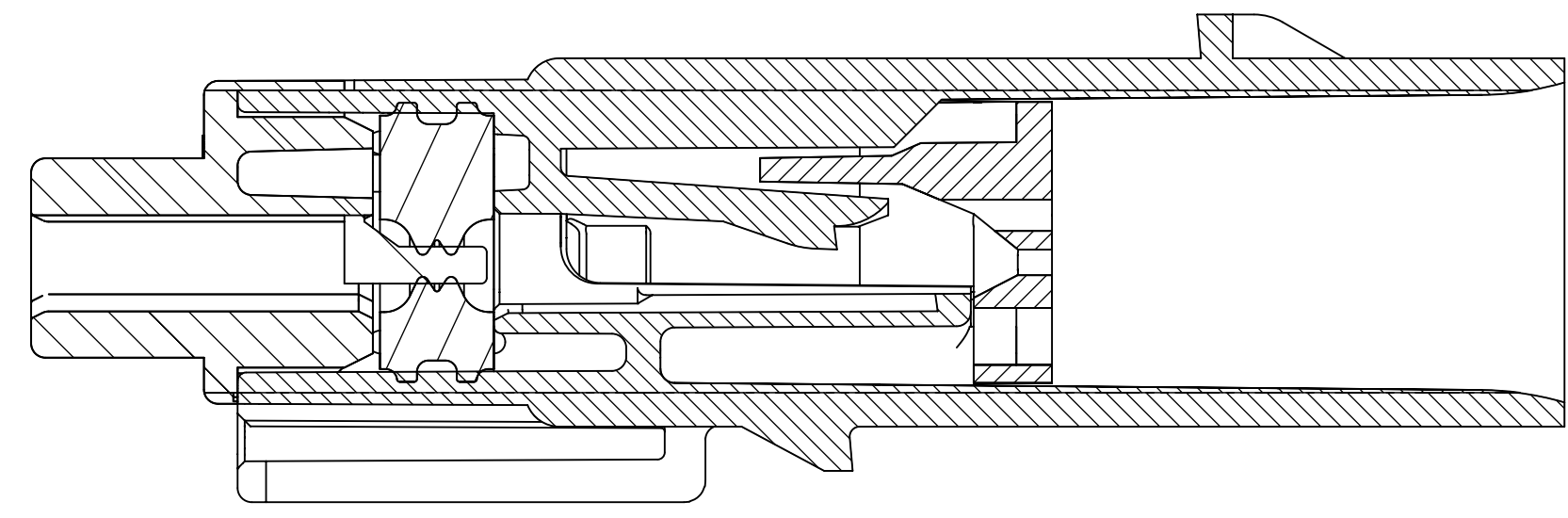


SECTION D-D



PRIMARY LOCK REINFORCEMENT (PLR) SHOWN IN PRE-STAGED POSITION

SECTION Z-Z

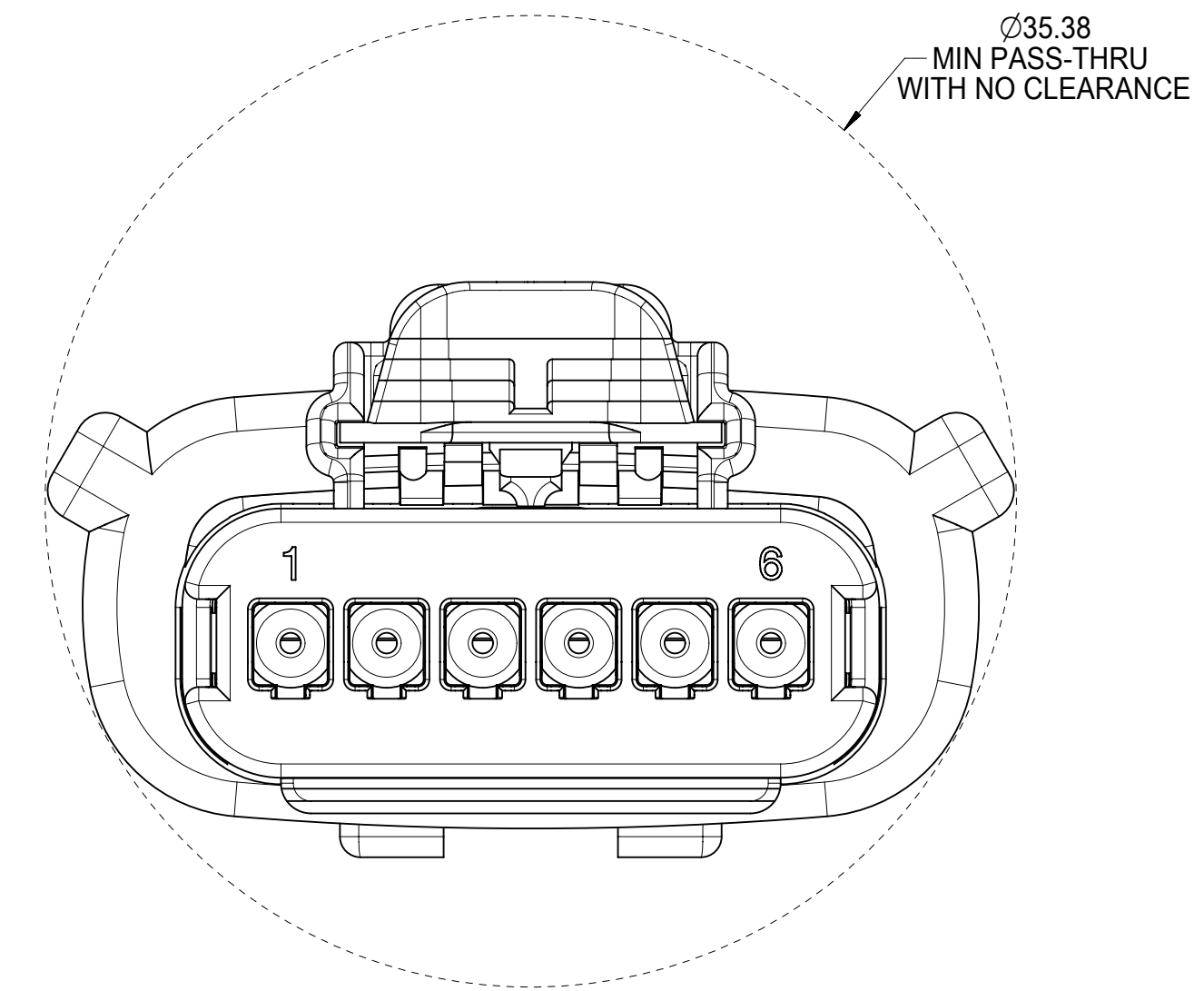
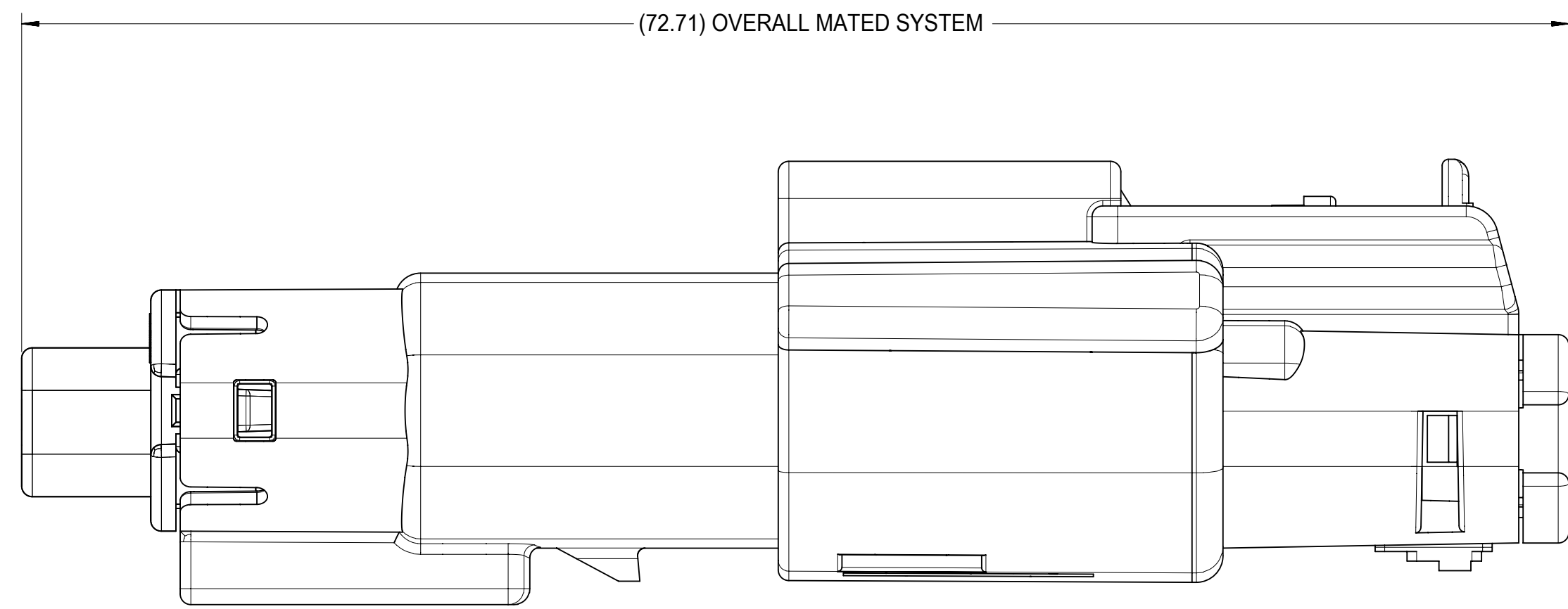


PRIMARY LOCK REINFORCEMENT (PLR) SHOWN IN FINAL-LOCK POSITION

SECTION Y-Y

THIS DRAWING CONTAINS INFORMATION THAT IS PROPRIETARY TO MOLEX ELECTRONIC TECHNOLOGIES, LLC AND SHOULD NOT BE USED WITHOUT WRITTEN PERMISSION											
DIMENSION UNITS		SCALE		CURRENT REV DESC: SEE REVISION TABLE							
mm		4:1									
GENERAL TOLERANCES (UNLESS SPECIFIED)											
ANGULAR TOL ± 3.0°											
4 PLACES ±		EC NO: 654141		DRWN: SCV		2021/01/29					
3 PLACES ±		CHK'D: GGA		2021/02/03							
2 PLACES ± 0.1		APPR: GGA		2021/02/03							
1 PLACE ± 0.3		INITIAL REVISION:		DRWN: DGRIFITHS		2005/08/26		SD-33481-061			
0 PLACES ±		APPR: smarceau		2005/08/29				DOCUMENT NUMBER		DOC TYPE DOC PART REVISION	
DRAFT WHERE APPLICABLE MUST REMAIN WITHIN DIMENSIONS				THIRD ANGLE PROJECTION		DRAWING		SERIES		SHEET NUMBER	
						D-SIZE		33481		3 OF 5	
						SEE BOM		GENERAL MARKET			

DOCUMENT STATUS	P1	RELEASE DATE	2021/02/03	08:29:05
-----------------	----	--------------	------------	----------




THIS DRAWING CONTAINS INFORMATION THAT IS PROPRIETARY TO MOLEX ELECTRONIC TECHNOLOGIES, LLC AND SHOULD NOT BE USED WITHOUT WRITTEN PERMISSION											
DIMENSION UNITS		SCALE		CURRENT REV DESC: SEE REVISION TABLE						molex	
mm		4:1									
GENERAL TOLERANCES (UNLESS SPECIFIED)				EC NO: 654141							
ANGULAR TOL ± 3.0°				4 PLACES ±		DRWN: SCV		2021/01/29		MX150 1X6 BLADE SEALED ASSEMBLY MAT SEAL	
				3 PLACES ±		CHK'D: GGA		2021/02/03			
				2 PLACES ± 0.1		APPR: GGA		2021/02/03		PRODUCT CUSTOMER DRAWING	
				1 PLACE ± 0.3		INITIAL REVISION:				DOCUMENT NUMBER	
				0 PLACES ±		DRWN: DGRIFITHS		2005/08/26		SD-33481-061	
						APPR: smarceau		2005/08/29		PSD 001 V6	
DRAFT WHERE APPLICABLE MUST REMAIN WITHIN DIMENSIONS				THIRD ANGLE PROJECTION		DRAWING		SERIES		MATERIAL NUMBER	
						D-SIZE		33481		SEE BOM	
										CUSTOMER	
										GENERAL MARKET	
										SHEET NUMBER	
										4 OF 5	

ASSEMBLY PART NUMBER	COLOR	KEYING OPTION	CAVITY TYPE & STATUS (X = PLUGGED)						STATUS	COMMENTS
			1	2	3	4	5	6		
33481-0601	BLACK	A							NOT RECOMMENDED	
33481-0602	LT.GRAY	B							NOT RECOMMENDED	
33481-0603	BROWN	C							NOT RECOMMENDED	NOT RECOMMENDED, SEE P/N 33481-0618
33481-0604	GREEN	D							NOT RECOMMENDED	NOT RECOMMENDED, SEE P/N 33481-0619
33481-0605	YELLOW	A							NOT RECOMMENDED	
33481-0606	BLACK	A						X	NOT RECOMMENDED	
33481-0607	LT.GRAY	B						X	NOT RECOMMENDED	
33481-0608	BROWN	C						X	NOT RECOMMENDED	
33481-0609	GREEN	D						X	NOT RECOMMENDED	
33481-0610	YELLOW	A						X	NOT RECOMMENDED	
33481-0611	BLACK	A	X					X	NOT RECOMMENDED	
33481-0612	LT.GRAY	B	X					X	NOT RECOMMENDED	
33481-0613	BROWN	C	X					X	NOT RECOMMENDED	
33481-0614	GREEN	D	X					X	NOT RECOMMENDED	
33481-0615	YELLOW	A	X					X	NOT RECOMMENDED	
33481-0616	BLACK	A	X	X	X	X	X	X	NOT RECOMMENDED	
33481-0617	BLACK	A						X	NOT RECOMMENDED	
33481-0618	DK.GRAY	C							NOT RECOMMENDED	
33481-0619	ST.GRAY	D							NOT RECOMMENDED	
33481-0620	BLACK	A			X				NOT RECOMMENDED	
33481-0621	ST.GRAY	D	X	X	X	X	X	X	NOT RECOMMENDED	
33481-0622	ST.GRAY	D	X					X	NOT RECOMMENDED	
33481-0623	BLACK	A	X		X			X	NOT RECOMMENDED	
33481-0624	BLACK	A						X	NOT RECOMMENDED	

ASSEMBLY PART NUMBER	COLOR	KEYING OPTION	CAVITY TYPE & STATUS (X = PLUGGED)						STATUS	COMMENTS
			1	2	3	4	5	6		
33481-6601	BLACK	A							SALEABLE	
33481-6602	LT.GRAY	B							SALEABLE	
33481-6603	BROWN	C							NOT RECOMMENDED	NOT RECOMMENDED, SEE P/N 33481-6618
33481-6604	GREEN	D							NOT RECOMMENDED	NOT RECOMMENDED, SEE P/N 33481-6619
33481-6605	YELLOW	A							SALEABLE	
33481-6606	BLACK	A						X	SALEABLE	
33481-6607	LT.GRAY	B						X	SALEABLE	
33481-6608	BROWN	C						X	NOT RECOMMENDED	
33481-6609	GREEN	D						X	NOT RECOMMENDED	
33481-6610	YELLOW	A						X	SALEABLE	
33481-6611	BLACK	A	X					X	SALEABLE	
33481-6612	LT.GRAY	B	X					X	SALEABLE	
33481-6613	BROWN	C	X					X	NOT RECOMMENDED	
33481-6614	GREEN	D	X					X	NOT RECOMMENDED	
33481-6615	YELLOW	A	X					X	SALEABLE	
33481-6616	BLACK	A	X	X	X	X	X	X	SALEABLE	
33481-6617	BLACK	A						X	SALEABLE	
33481-6618	DK.GRAY	C							SALEABLE	
33481-6619	ST.GRAY	D							SALEABLE	
33481-6620	BLACK	A			X				SALEABLE	
33481-6621	ST.GRAY	D	X	X	X	X	X	X	SALEABLE	
33481-6622	ST.GRAY	D	X					X	SALEABLE	
33481-6623	BLACK	A	X		X			X	SALEABLE	
33481-6624	BLACK	A						X	SALEABLE	
33481-6625	BLACK	A		X	X	X	X		SALEABLE	
33481-6626	BLACK	A				X	X		SALEABLE	

V6
V6

THIS DRAWING CONTAINS INFORMATION THAT IS PROPRIETARY TO MOLEX ELECTRONIC TECHNOLOGIES, LLC AND SHOULD NOT BE USED WITHOUT WRITTEN PERMISSION																			
DIMENSION UNITS		SCALE		CURRENT REV DESC: SEE REVISION TABLE															
mm		1:1																	
GENERAL TOLERANCES (UNLESS SPECIFIED)				EC NO: 654141 DRWN: SCV 2021/01/29 CHK'D: GGA 2021/02/03 APPR: GGA 2021/02/03								MX150 1X6 BLADE SEALED ASSEMBLY MAT SEAL							
ANGULAR TOL ± 3.0°				INITIAL REVISION: DRWN: DGRIFITHS 2005/08/26 APPR: smarceau 2005/08/29								PRODUCT CUSTOMER DRAWING							
4 PLACES ±				1 PLACE ± 0.1				0 PLACES ±				DOCUMENT NUMBER		DOC TYPE		DOC PART		REVISION	
3 PLACES ±				2 PLACES ± 0.3				DRAFT WHERE APPLICABLE MUST REMAIN WITHIN DIMENSIONS				SD-33481-061		PSD		001		V6	
2 PLACES ±				DRAWING				SERIES				MATERIAL NUMBER		CUSTOMER		SHEET NUMBER			
1 PLACE ±				THIRD ANGLE PROJECTION				D-SIZE				33481		SEE BOM		GENERAL MARKET		5 OF 5	