

LEGEND:

A- 46984 - * * * *

CIRCUIT SIZE (2-6)

P.C. BOARD THICKNESS

1 = .062/(1.57) NOMINAL
 2 = .093/(2.36) NOMINAL
 3 = .125/(3.18) NOMINAL
 4 = .250/(6.35) NOMINAL

PACKAGING

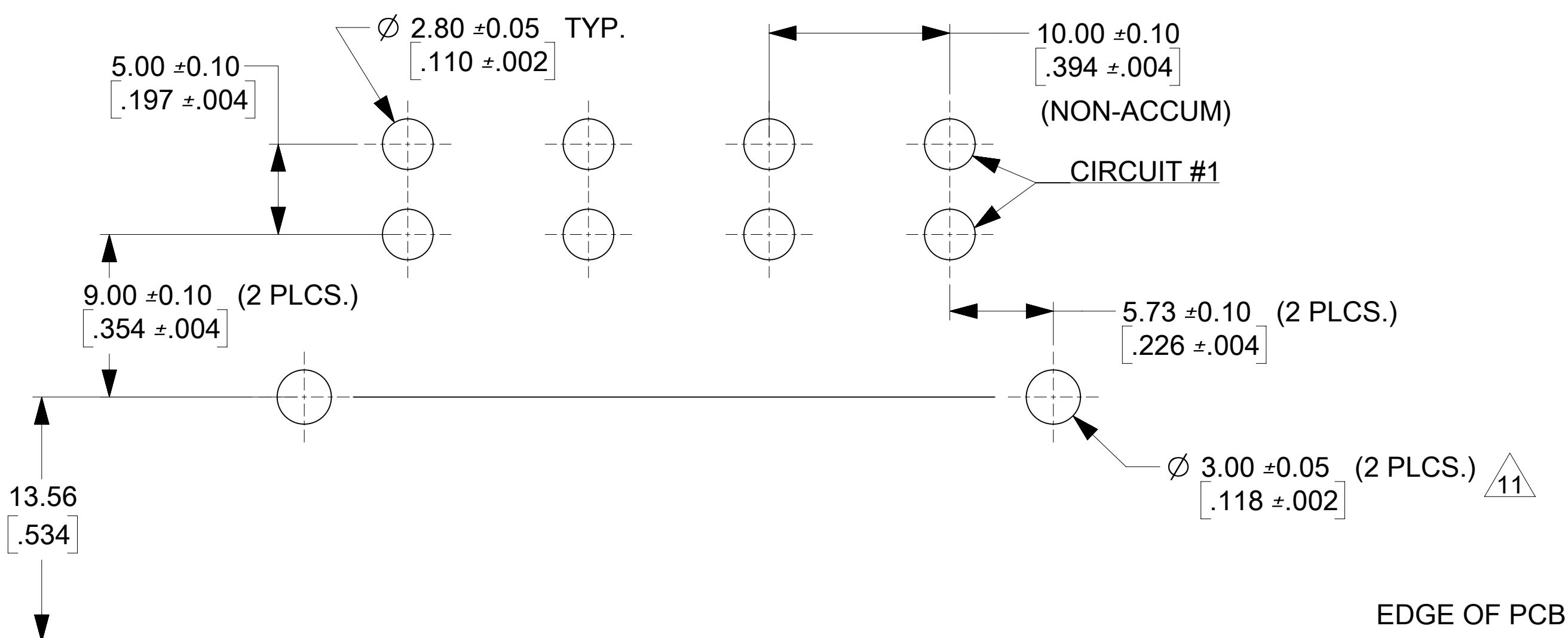
1) = TRAY
 2) = TUBE
 3) = TAPE & REEL

PLATING

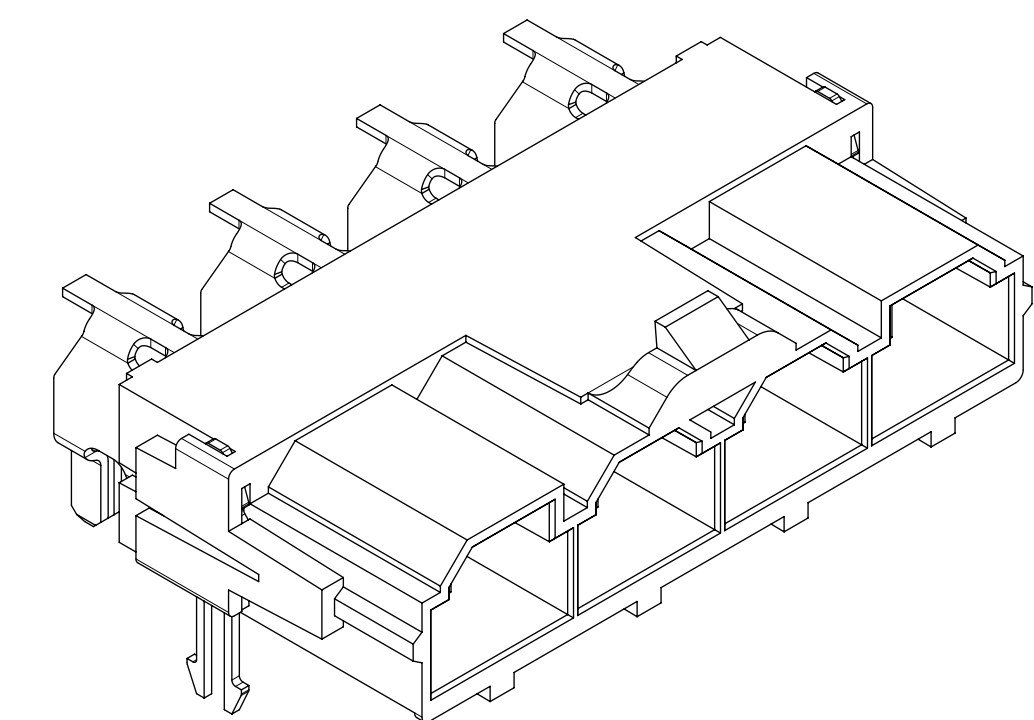
2 OR 9 = PURE BRIGHT TIN OVER NICKEL
 3 OR 8 = SELECT GOLD AND SELECT PURE MATTE TIN OVER NICKEL
 7 = PURE MATTE TIN OVER NICKEL

NOTES:

- 1) MATERIAL:
HOUSING MATERIAL: LCP, GLASS FILLED, UL94V-0. COLOR: BLACK.
TERMINAL MATERIAL: COPPER
- 2) FINISH: 2 = .000100/(0.00254) MIN. TIN OVER .000050/(.00127) MIN. NICKEL. (SEE NOTE 9)
3 = .000030/(0.00076) MIN. SELECT GOLD IN CONTACT AREA.
.000100/(.000254) MIN. SELECT TIN ON SOLDER TAILS
OVER .000050/(0.00127) MIN. NICKEL.
- 3) PRODUCT SPECIFICATION: PS-42815-001
- 4) PACKAGING INFORMATION: SEE CHART.
- 5) PART MATES WITH MOLEX RECEPTACLE #42816-***2 WITH TPA.
- 6) PART IS DESIGNED IN METRIC.
- 7) AN "X" IN FRONT OF THE ITEM NUMBER INDICATES THE PART IS NOT TOOLED.
- 8) PARTS ARE NOT TO BE MATED OR UNMATED WHILE CIRCUITS ARE LIVE.
- 9) WHEN USING OVERALL TIN PLATED TERMINALS: FOR APPLICATIONS INVOLVING VIBRATION AND/OR THERMAL CYCLING, MOLEX STRONGLY RECOMMENDS THE USE OF NYE LUBRICANT (NYOGEL 760G) ON THE MATING SURFACE OF THE TERMINAL. REFER TO AS-42815-001.
- 10) PARTS CONFORM TO CLASS 'B' REQUIREMENTS OF COSMETIC SPECIFICATION PS-45499-002.
- 11) BOARD CLIP HOLE MAY OR MAY NOT BE PLATED. REFER TO CHART FOR PLATED / UNPLATED CLIPS.

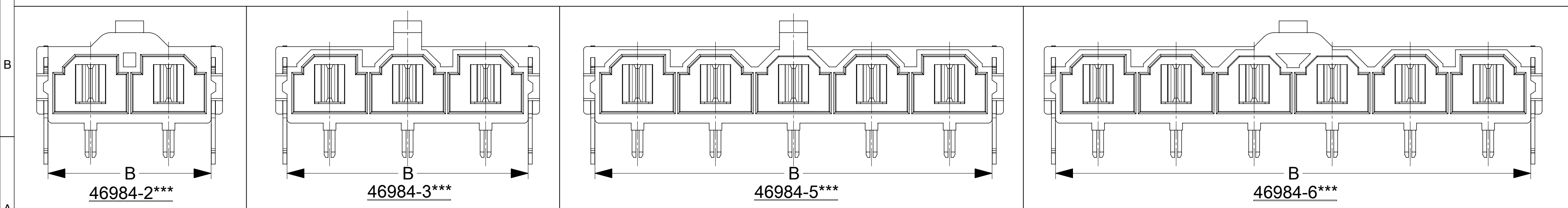


RECOMMENDED P.C. BOARD PLATED-THRU HOLE LAYOUT
(4 CKT. SHOWN FOR REF.)



HEADER WITH VERTICAL TERMINAL & CLIP
ISO VIEW

ITEM NUMBER	CKT. SIZE	DIM. A	DIM. B	DIM. C	TERMINAL PLATING	PACKAGING SPECIFICATION	CLIP PLATING
469842221	2	3.50	20.90	2.60	OVERALL BRIGHT TIN	PK-42820-910	NONE
469842121	2	3.50	20.90	1.80		PK-42820-910	
469842123	2	3.50	20.90	1.80		SEE PN 45986-0002 PER PK-45986-004	
469842223	2	3.50	20.90	2.60		SEE PN 45986-0004 PER PK-45986-004	
469842231	2	3.50	20.90	2.60	SELECT GOLD-MATING END SELECT MATTE TIN - SOLDER T.	PK-42820-910	
469842133	2	3.50	20.90	1.80	SELECT GOLD-MATING END SELECT MATTE TIN - SOLDER T.	SEE PN 45986-0005 PER PK-45986-004	
469842233	2	3.50	20.90	2.60	SELECT GOLD-MATING END SELECT MATTE TIN - SOLDER T.	SEE PN 45986-0006 PER PK-45986-004	



THIS DRAWING CONTAINS INFORMATION THAT IS PROPRIETARY TO MOLEX ELECTRONIC TECHNOLOGIES, LLC AND SHOULD NOT BE USED WITHOUT WRITTEN PERMISSION

DIMENSION UNITS	SCALE	CURRENT REV DESC: MIGRATED TO ECTR	
IN/MM	4:1		
GENERAL TOLERANCES (UNLESS SPECIFIED)			
	MM	INCH	
4 PLACES	±	±	EC NO: 171562
3 PLACES	±	± 0.01	DRWN: RLALSANGI 2017/10/03
2 PLACES	± 0.25	±	CHK'D: ISHWARG 2018/05/04
1 PLACE	± 0.4	±	APPR: ISHWARG 2018/05/04
0 PLACES	±	±	INITIAL REVISION:
ANGULAR TOL	± 0.5°		DRWN: AELHAG 2010/08/05
			APPR: FSMITH 2014/02/18
DRAFT WHERE APPLICABLE MUST REMAIN WITHIN DIMENSIONS		THIRD ANGLE PROJECTION	DRAWING SERIES
			D-SIZE 46984
DOCUMENT NUMBER		CUSTOMER	
SDA-46984-001		GENERAL MARKET	
DOC TYPE	DOC PART	REVISION	SHEET NUMBER
PSD	001	B1	1 OF 1