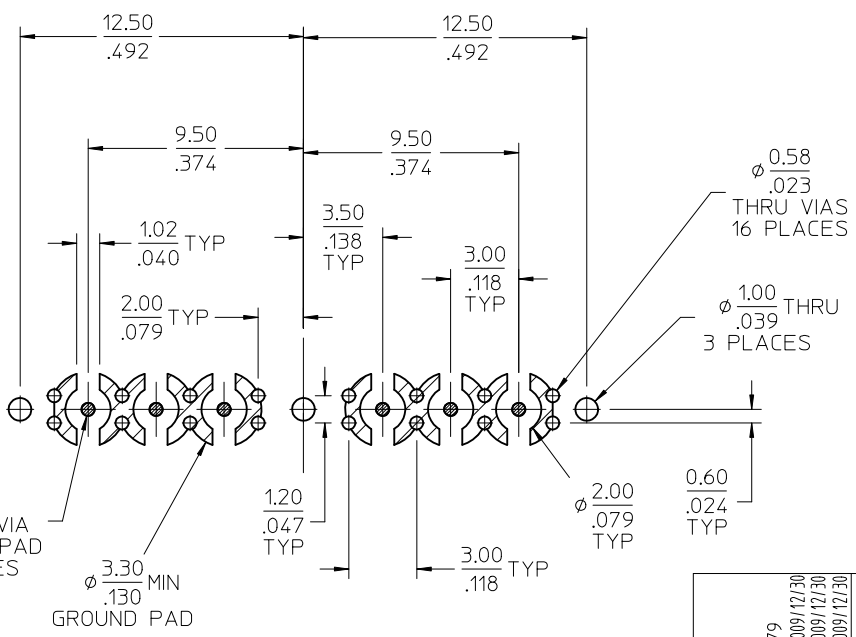


MATERIALS AND FINISHES

SSMCX JACKS:
 BODY: BRASS
 PLATED: GOLD OVER NICKEL
 CONTACT: BERYLLIUM COPPER
 PLATED: GOLD OVER NICKEL
 INSULATOR: TEFLON

SOLDER POSTS: BRASS
 PLATED: TIN

BLOCKS:
 HIGH TEMP NYLON



PCB LAYOUT
 NOTE ORIENTATION

73358-0680	GANG 6 SMT STANDARD WITH POSTS
PART NO.	DESCRIPTION

CHG: RELEASE DRAWING. EC NO: URF2010-0379 DRWN: JWIENER 2009/12/30 CHKD: SSHAH 2009/12/30 APPR: JWIENER 2009/12/30	QUALITY SYMBOLS ▽=0 ▽=0	GENERAL TOLERANCES (UNLESS SPECIFIED) <table border="1"> <tr> <th></th> <th>mm</th> <th>INCH</th> </tr> <tr> <td>4 PLACES</td> <td>± .005</td> <td>± .0005</td> </tr> <tr> <td>3 PLACES</td> <td>± .005</td> <td>± .0005</td> </tr> <tr> <td>2 PLACES</td> <td>± .005</td> <td>± .0005</td> </tr> <tr> <td>1 PLACE</td> <td>± .005</td> <td>± .0005</td> </tr> </table>		mm	INCH	4 PLACES	± .005	± .0005	3 PLACES	± .005	± .0005	2 PLACES	± .005	± .0005	1 PLACE	± .005	± .0005	DIMENSION STYLE MM/IN	SCALE DESIGN UNITS METRIC	THIRD ANGLE PROJECTION	DRAWN BY JDW DATE 2009/12/29	TITLE SSMCX J 6 PORT STANDARD PCB SMT 50 OHMS W/ POSTS EWR-4283 SSMCX-J/PCB
				mm	INCH																	
4 PLACES	± .005	± .0005																				
3 PLACES	± .005	± .0005																				
2 PLACES	± .005	± .0005																				
1 PLACE	± .005	± .0005																				
CHECKED BY SSS DATE 2009/12/29																						
APPROVED BY JDW DATE 2009/12/29		MATERIAL NO. SEE TABLE		DOCUMENT NO. SD-73358-068		SHEET NO. 1 OF 1																
DRAFT WHERE APPLICABLE MUST REMAIN WITHIN DIMENSIONS																						
THIS DRAWING CONTAINS INFORMATION THAT IS PROPRIETARY TO MOLEX INCORPORATED AND SHOULD NOT BE USED WITHOUT WRITTEN PERMISSION																						