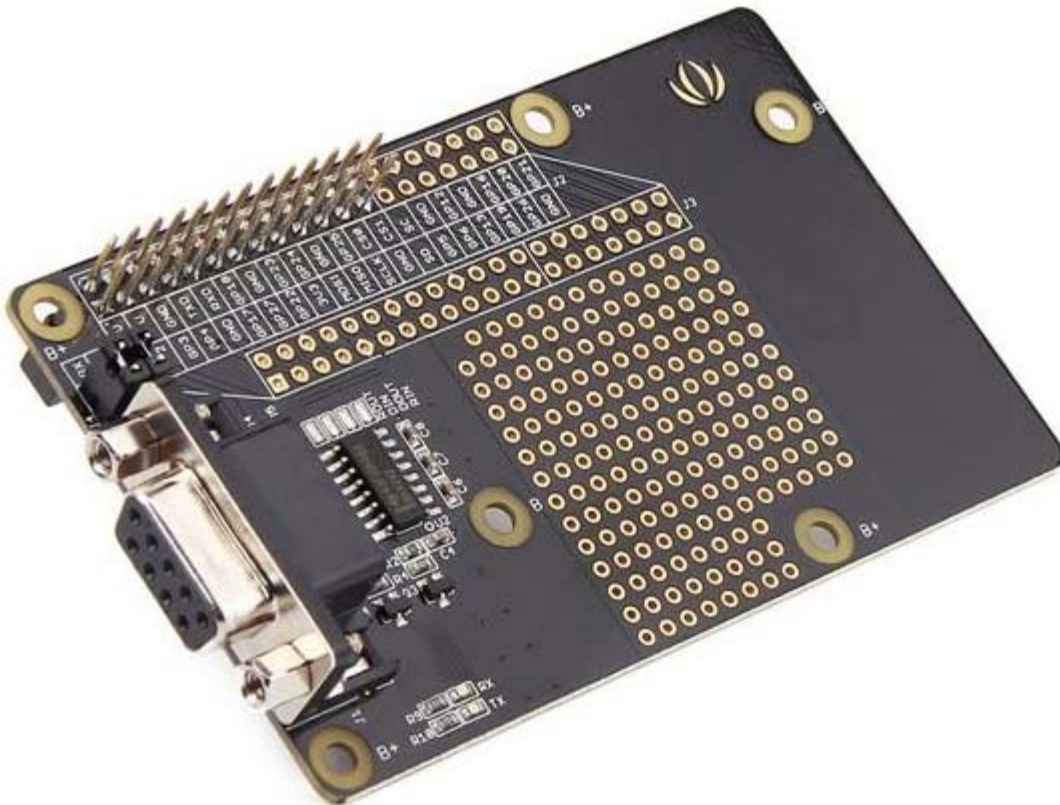


Raspberry Pi RS232 Board v1.0



Raspberry Pi RS232 Board v1.0 is a standard communication port for industry equipment. This module is based on MAX3232, which is a dual driver/receiver that includes a capacitive voltage generator to supply TIA/EIA-232-F voltage levels from a single 5-V supply. The shield integrates DB9 connectors (female) that provide connection to various devices with RS232 interface. Also, the RS232 headers will facilitate your connections and commissioning. It provides the welding areas to make full use of extra space on it, which is highly convenient for prototyping.

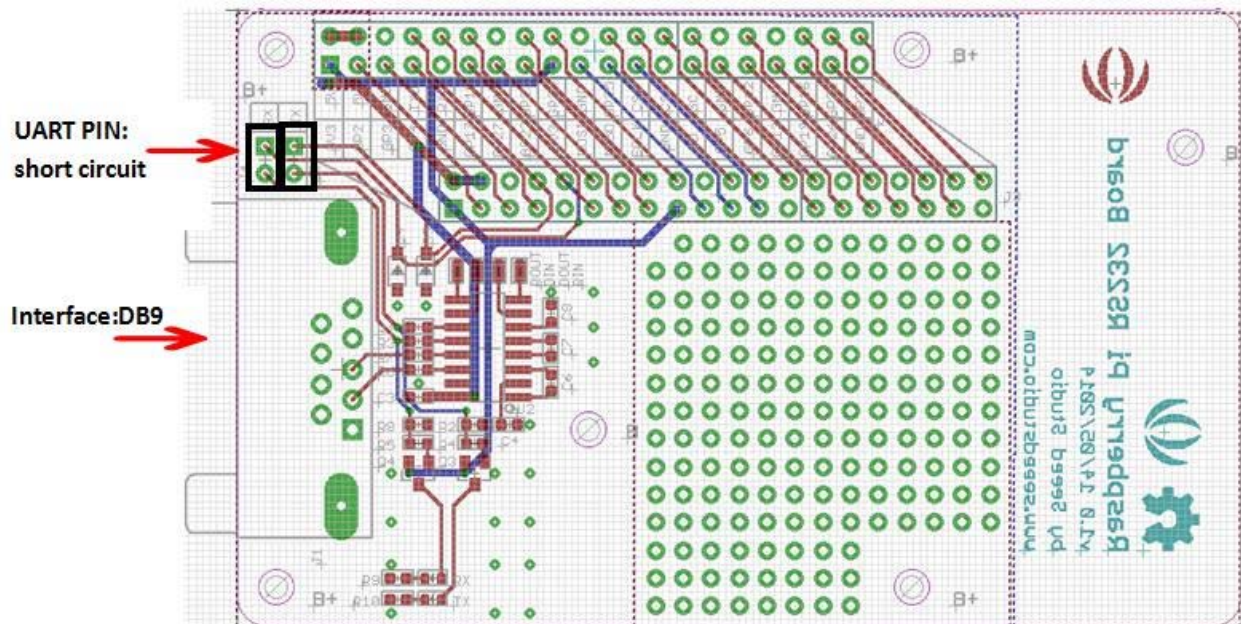
Features

- Low Supply Current: 300 μ A
- Guaranteed Data Rate: 120kbps
- Meets EIA/TIA-232 Specifications Down to 3.0V
- Pin Compatible with Industry-Standard MAX232
- Guaranteed Slew Rate: 6V/ μ s
- LED Indicator
- DB9 Connectors (female)

Specifications

Item	Min	Typical	Max	Unit
Input Voltage Range	-25	/	25	V
Input Threshold Low(VCC=3.3V/5.0V)	0.6 / 0.8	1.2 / 1.5	/	V
Input Threshold High (VCC=3.3V/5.0V)	/	1.5 / 1.8	2.4 / 2.4	V
Maximum Data Rate	120	235		kHz
Operating Temperature	0	/	70	°C
Dimension	91.20 * 56.15*32			mm

Hardware Overview



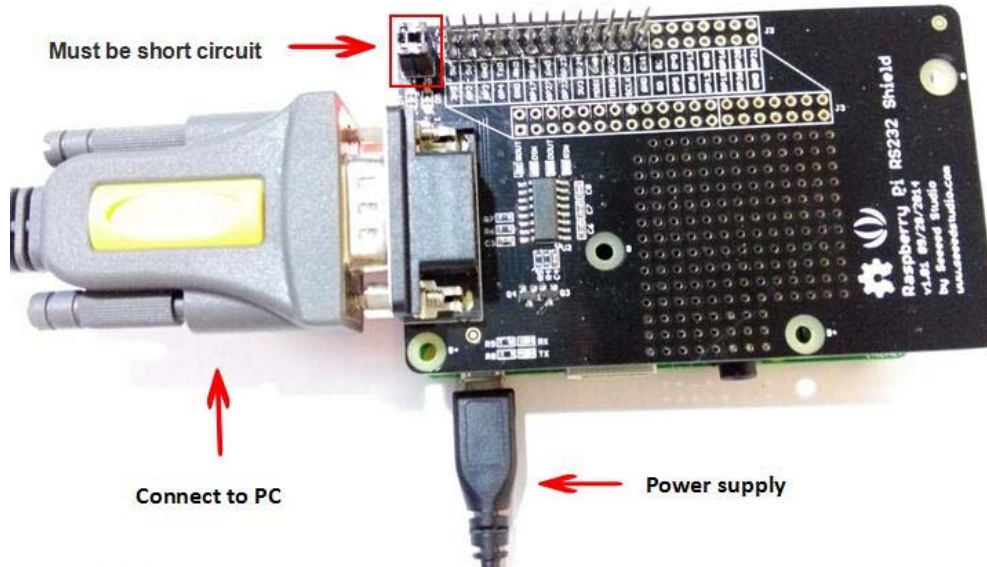
UART Pin must be pup joint if you want to connect to raspberry pi.

Usage

Using serial COM ports to Configure system on Raspberry Pi.

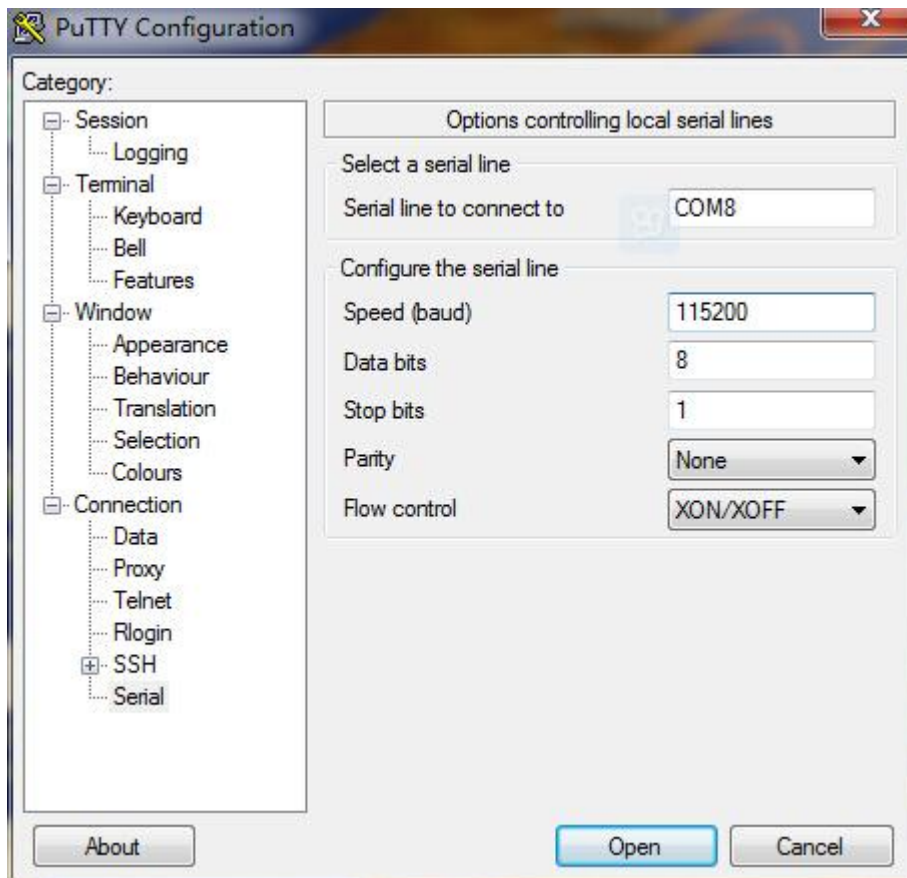
Hardware Installation

1. Raspberry Pi&USB to serial COM Port line.
2. Connect as in the following picture:



3. Fine out which com it is using on you PC's device management.
4. Run a serial port assistant, and set it as shown:

COM must be set as what you fine on you PC's device management. Then power on your raspberry pi. You can see the serial port assistant as shown below.



5. Have communication with Raspberry Pi successfully.

```
COM8 - PuTTY
[ ok ] Starting periodic command scheduler: cron.
[ ok ] Starting system message bus: dbus.
Starting dphys-swapfile swapfile setup ...
want /var/swap=100MByte, checking existing: keeping it
done.
[ ok ] Starting NTP server: ntpd.
[ ok ] Starting OpenBSD Secure Shell server: sshd.

Raspbian GNU/Linux 7 raspberrypi ttyAMA0

raspberrypi login: pi
Password:
Last login: Mon Mar 16 06:21:31 UTC 2015 on ttyAMA0
Linux raspberrypi 3.12.35+ #730 PREEMPT Fri Dec 19 18:31:24 GMT 2014 armv6l

The programs included with the Debian GNU/Linux system are free software;
the exact distribution terms for each program are described in the
individual files in /usr/share/doc/*/copyright.

Debian GNU/Linux comes with ABSOLUTELY NO WARRANTY, to the extent
permitted by applicable law.
pi@raspberrypi:~$ ls
desktop  GrovePi  pySerial  python_games  RaspPi_Grove  shield
pi@raspberrypi:~$
```

Resources

- [Raspberry_Pi_RS232_Board_v1.0_sch_pcb](#)
- [MAX3232](#)

Tech Support

Please submit any technical issue into our forum or drop mail to techsupport@seeed.cc.