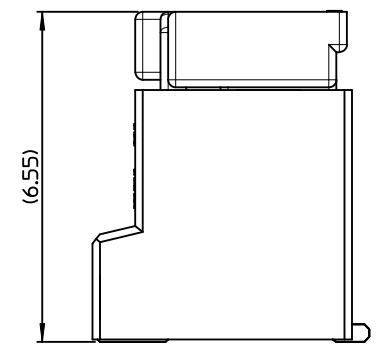
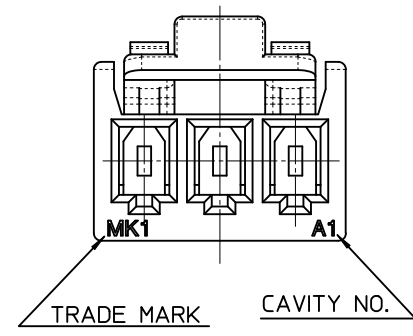
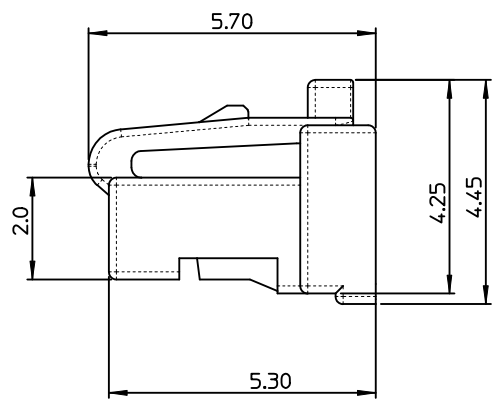
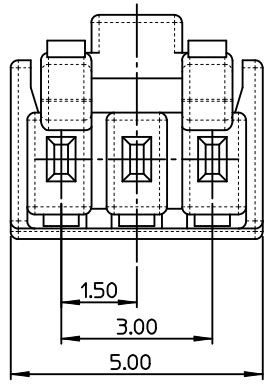
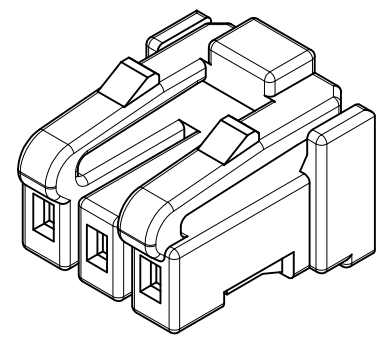


- NOTE**
1. MATERIAL : LIQUID CRYSTAL POLYMER(LCP), GLASS FILLED, UL94V-0
NATURAL COLOR
 2. MATED WITH : 104080-0310
 3. APPLICABLE TERMINAL : 104501-8003
 4. PRODUCT SPECIFICATION : PS-104080-001



MATED WITH HEADER ASSEMBLY

NEW RELEASED EC NO: KOR2010-0199 DRWN:CBCHN 2010/06/09 CHKD:SH.CHU 2010/06/09 APPR:YUNSIKKIM 2010/06/09	DESCRIPTION REV	QUALITY SYMBOLS	GENERAL TOLERANCES (UNLESS SPECIFIED)	DIMENSION STYLE	SCALE	DESIGN UNITS	THIRD ANGLE PROJECTION	
		▽=0 □=0	mm INCH 4 PLACES ± --- ± --- 3 PLACES ± --- ± --- 2 PLACES ± --- ± --- 1 PLACE ± 0.20 ± --- ANGULAR ± 3 °	MM ONLY	10:1	METRIC	DRAWN BY: JB. JIN DATE: 2010/01/21 CHECKED BY: SH. CHU DATE: 2010/01/21 APPROVED BY: YS. KIM DATE: 2010/01/21	TITLE
		DRAFT WHERE APPLICABLE MUST REMAIN WITHIN DIMENSIONS	MATERIAL NO.	DOCUMENT NO.	1.5 WIRE TO BOARD CONN. HOUSING-3P			
		SIZE A3	1040790300	SD-104079-001	MOLEX INCORPORATED SHEET NO. 1 OF 01			