

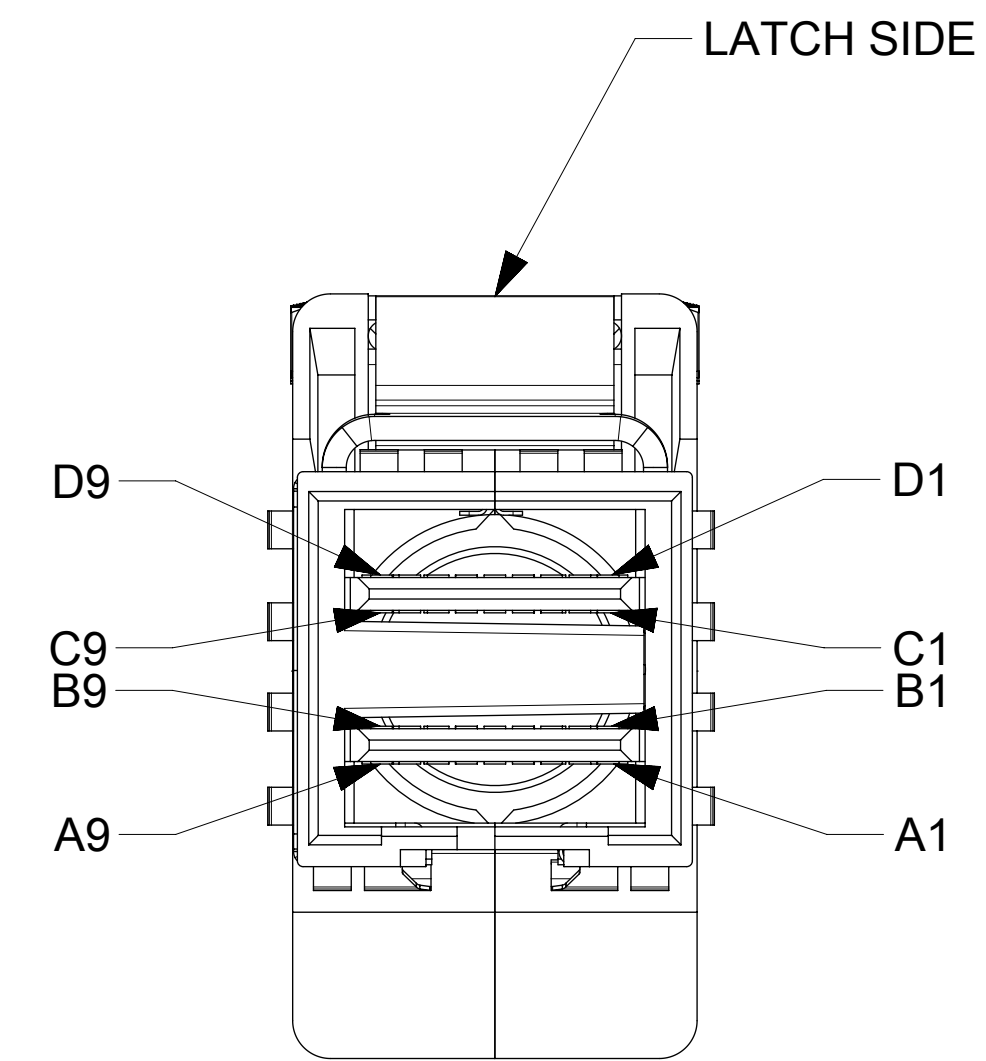
MOLEX P/N	LENGTH (M)	LENGTH TOLERANCE (mm)	AWG
1110752200	1.0	±50	30
1110752201	1.5	±50	30
1110752202	2.0	±50	30

- NOTES:
- MATERIAL =  
 BACKSHELLS - NICKEL PLATED ZINC DIECAST  
 LATCH - STAINLESS STEEL  
 PULL - MOLDED PLASTIC
  - THIS PRODUCT CONFORMS TO THE MECHANICAL DIMENSIONING OF SFF-8644 AND ELECTRICAL PERFORMANCE OF SAS 3.0
  - CABLE ASSEMBLY DOES NOT HAVE EEPROM.
  - RoHS COMPLIANT, NO EXEMPTIONS
  - PROTECTIVE DUST CAP TO BE INSTALLED ONTO EACH PLUG (NOT SHOWN)

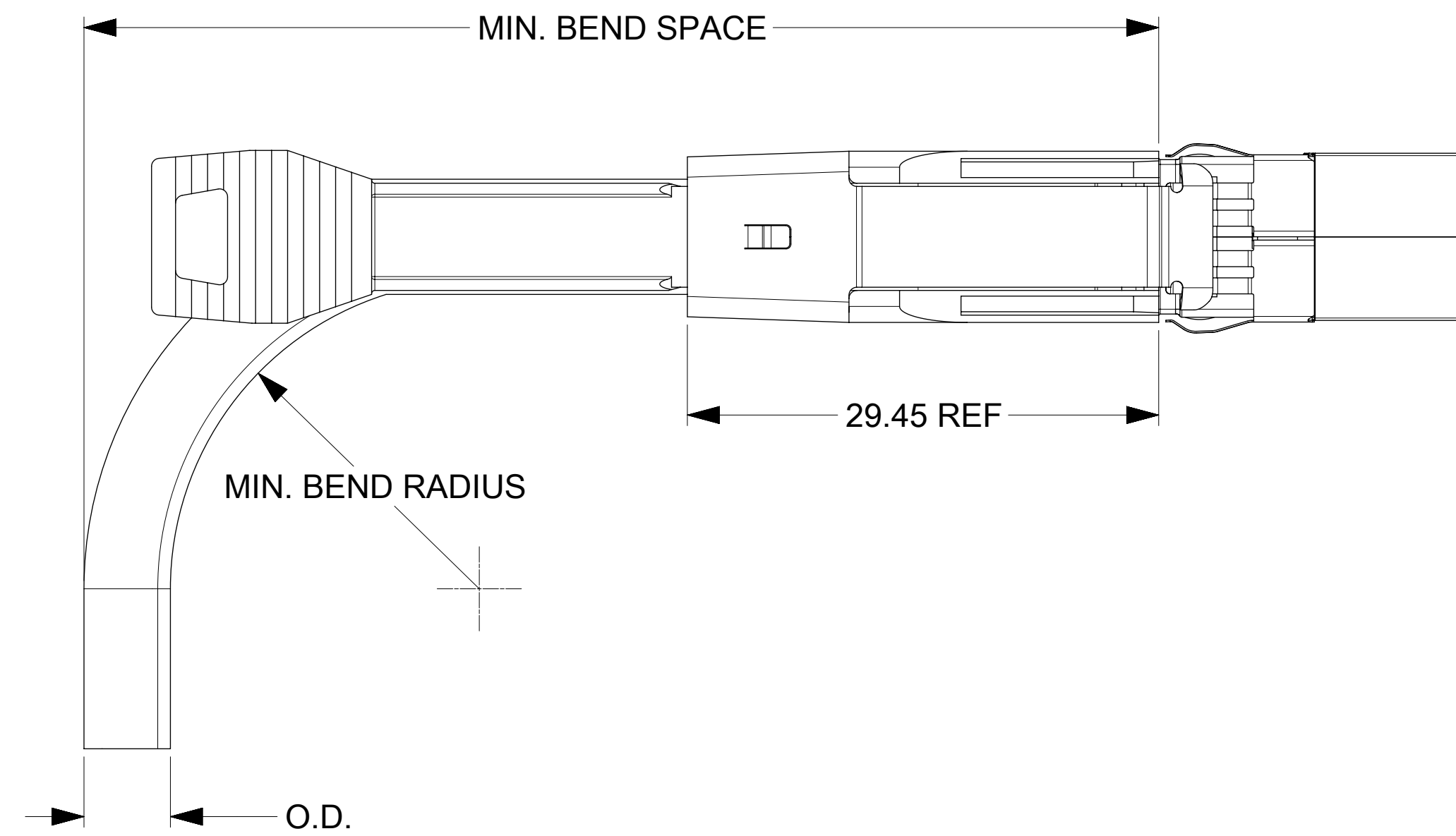
THIS DRAWING CONTAINS INFORMATION THAT IS PROPRIETARY TO MOLEX INCORPORATED AND SHOULD NOT BE USED WITHOUT WRITTEN PERMISSION

SEE REV HISTORY EC NO. 104984 DRWN: GBARDELLA CHKD: ARAYBURN REV APPR: ARAYBURN	20160421 20160516 20160516	QUALITY SYMBOLS ▽ = 0 ▽ = 0 ▽ = 0 ▽ = 0 ▽ = 0 ▽ = 0 ▽ = 0 ▽ = 0 ▽ = 0	GENERAL TOLERANCES (UNLESS SPECIFIED) ANGULAR TOL ± 4 PLACES ± 3 PLACES ± 2 PLACES ± 0.13 1 PLACE ± 0.25 0 PLACES ± DRAFT WHERE APPLICABLE MUST REMAIN WITHIN DIMENSIONS	DIMENSION UNITS: mm SCALE: 2:1 DRWN BY: GBARDELLA DATE: 2015/06/18 CHKD BY: HYU02 DATE: 2015/12/11 APPR BY: ARAYBURN DATE: 2015/12/17 DRAWING SIZE: D THIRD ANGLE PROJECTION		IPASS X4 EXT. HD TO HD, W/SIDEBAND
	PRODUCT CUSTOMER DRAWING SERIES: 111075 MATERIAL NUMBER: SEE TABLE CUSTOMER: GENERAL MARKET		DOCUMENT NUMBER: 1110752200 DOC TYPE: PSD DOC PART: 000 SHEET NUMBER: 1 OF 3			

MINISAS HD WITH SIDEBAND WIRING CHART				
P1				P2
GND	D9	-----	B9	GND
Tx2-	D8	----->	B8	Rx2-
Tx2+	D7	----->	B7	Rx2+
GND	D6	-----	B6	GND
Tx0-	D5	----->	B5	Rx0-
Tx0+	D4	----->	B4	Rx0+
GND	D3	-----	B3	GND
Vman	D2	-----	D2	Vman
Vact	D1	-----	D1	Vact
SCL	C1	-----	C1	SCL
SDA	C2	-----	C2	SDA
GND	C3	-----	A3	GND
Tx1+	C4	----->	A4	Rx1+
Tx1-	C5	----->	A5	Rx1-
GND	C6	-----	A6	GND
Tx3+	C7	----->	A7	Rx3+
Tx3-	C8	----->	A8	Rx3-
GND	C9	-----	A9	GND
GND	B9	-----	D9	GND
Rx2-	B8	<-----	D8	Tx2-
Rx2+	B7	<-----	D7	Tx2+
GND	B6	-----	D6	GND
Rx0-	B5	<-----	D5	Tx0-
Rx0+	B4	<-----	D4	Tx0+
GND	B3	-----	D3	GND
ModPrsL	B2	-----	B2	ModPrsL
Vact	B1	-----	B1	Vact
Reserved	A1	-----	A1	Reserved
IntL	A2	-----	A2	IntL
GND	A3	-----	C3	GND
Rx1+	A4	<-----	C4	Tx1+
Rx1-	A5	<-----	C5	Tx1-
GND	A6	-----	C6	GND
Rx3+	A7	<-----	C7	Tx3+
Rx3-	A8	<-----	C8	Tx3-
GND	A9	-----	C9	GND



**CABLE BEND ALLOWANCE (MIN)**



GAGE	O.D.	MIN. BEND RADIUS	MIN. BEND SPACE
30	7mm	35mm	72mm

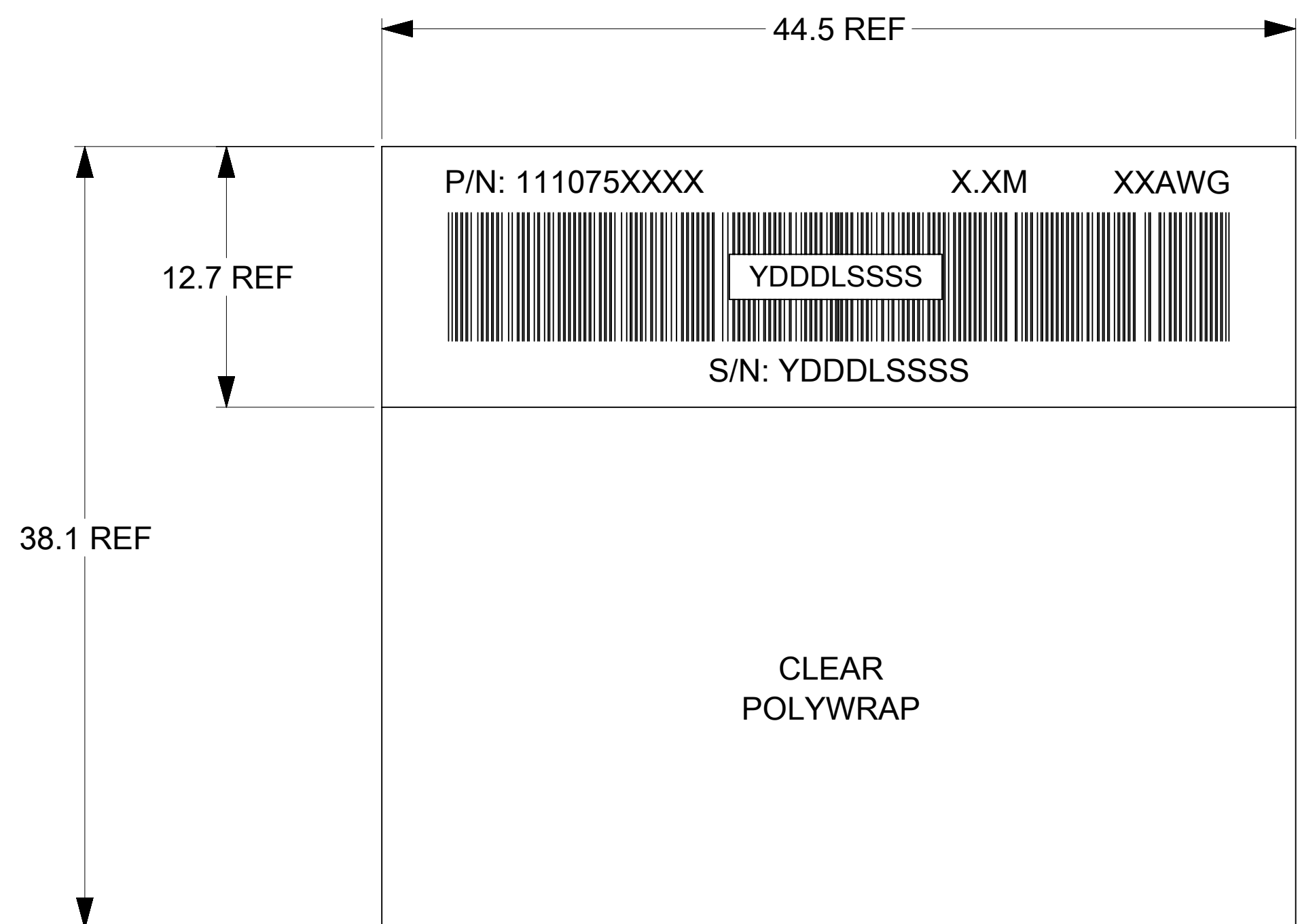
**LEGEND:**

- > = TRANSMIT TO RECIEVE ON HIGH SPEED LINES
- = THRU LINES

THIS DRAWING CONTAINS INFORMATION THAT IS PROPRIETARY TO MOLEX INCORPORATED AND SHOULD NOT BE USED WITHOUT WRITTEN PERMISSION

SEE REV HISTORY EC NO. 104984 DRWN: GBARDELLA CHKD: ARAYBURN REV: JAPR: ARAYBURN	QUALITY SYMBOLS ▽ = 0 ▽ = 0 ▽ = 0 ▽ = 0 ▽ = 0 ▽ = 0 ▽ = 0	GENERAL TOLERANCES (UNLESS SPECIFIED) ANGULAR TOL ± ° 4 PLACES ± 3 PLACES ± 2 PLACES ± 0.13 1 PLACE ± 0.25 0 PLACES ± DRAFT WHERE APPLICABLE MUST REMAIN WITHIN DIMENSIONS	DIMENSION UNITS: mm SCALE: 2:1 DRWN BY: GBARDELLA DATE: 2015/06/18 CHKD BY: HYU02 DATE: 2015/12/11 APPR BY: ARAYBURN DATE: 2015/12/17 DRAWING SIZE: D THIRD ANGLE PROJECTION	<b>molex</b> IPASS X4 EXT. HD TO HD, W/SIDEBAND PRODUCT CUSTOMER DRAWING SERIES: 111075 MATERIAL NUMBER: SEE TABLE CUSTOMER: GENERAL MARKET DOCUMENT NUMBER: 1110752200 DOC TYPE: PSD DOC PART: 000 SHEET NUMBER: 2 OF 3
--	--	--	---	---

CABLE ID LABEL



P/N: SEE TABLE (SHEET 1)  
 S/N: Y = YEAR, LAST DIGIT OF YEAR  
 DDD = DAY OF THE YEAR  
 L = LOCATION - 1 = USA  
 2 = MEXICO  
 3 = CHINA  
 4 = PHILIPPINES

SSSS = SERIAL NUMBER  
 X.XM: CABLE LENGTH, SEE TABLE (SHEET 1)  
 XXAWG: WIRE GAGE, SEE TABLE (SHEET 1)  
 (DATE CODE ISO-8601 FORMAT)

THIS DRAWING CONTAINS INFORMATION THAT IS PROPRIETARY TO MOLEX INCORPORATED AND SHOULD NOT BE USED WITHOUT WRITTEN PERMISSION															
SEE REV HISTORY EC NO. 104984 DRWN: GBARDELLA CHKD: ARAYBURN APPR: ARAYBURN	20160421	20160516	20160516	20160516	QUALITY SYMBOLS	GENERAL TOLERANCES (UNLESS SPECIFIED)	DIMENSION UNITS	SCALE							
					▽ = 0 ▽ = 0 ▽ = 0 ▽ = 0 ▽ = 0 ▽ = 0 ▽ = 0	ANGULAR TOL ± ° 4 PLACES ± 3 PLACES ± 2 PLACES ± 0.13 1 PLACE ± 0.25 0 PLACES ±	mm	1:1	DRWN BY DATE GBARDELLA 2015/06/18 CHKD BY DATE HYOU02 2015/12/11 APPR BY DATE ARAYBURN 2015/12/17						
	DRAFT WHERE APPLICABLE MUST REMAIN WITHIN DIMENSIONS									D	DRAWING SIZE THIRD ANGLE PROJECTION 		SERIES MATERIAL NUMBER CUSTOMER 111075 SEE TABLE GENERAL MARKET		
	DOCUMENT NUMBER 1110752200									PSD	000	SHEET NUMBER 3 OF 3			