

Sleeve housing - VC-K-T3-IN (13-25) - 1424368

Please be informed that the data shown in this PDF Document is generated from our Online Catalog. Please find the complete data in the user's documentation. Our General Terms of Use for Downloads are valid (<http://phoenixcontact.com/download>)




Sleeve housing, plastic, type: VC3, black, with integrated cable entry from 13 to 25 mm diameter, locking screws with knurled head, sealable.

Your advantages

- Plastic housing with straight cable outlet and cable gland.
- Variable grommet with a seal area for a cable diameter of 10 mm - 25 mm.

Key Commercial Data

Packing unit	1 pc
GTIN	 4 046356 772945
GTIN	4046356772945

Technical data

Dimensions

Height	92.3 mm
--------	---------

Ambient conditions

Degree of protection	IP65
Ambient temperature (operation)	-40 °C ... 80 °C

General

Note	When using fiber optics, the bending radii of the cable manufacturers must be observed.
Type	VC3
Degree of protection	IP65
Flammability rating according to UL 94	V0
Locking type	Screw locking, Allen screw
Fixing screws	M4 (3 mm Allen screw)
Tightening torque, mounting screw	1.5 Nm ±0.3 Nm
Type of the screw connection	Pg29

Sleeve housing - VC-K-T3-IN (13-25) - 1424368

Technical data

General

Cable outlet	straight
Housing material	PBT
Seal material	NBR
Ambient temperature (operation)	-40 °C ... 80 °C

Standards and Regulations

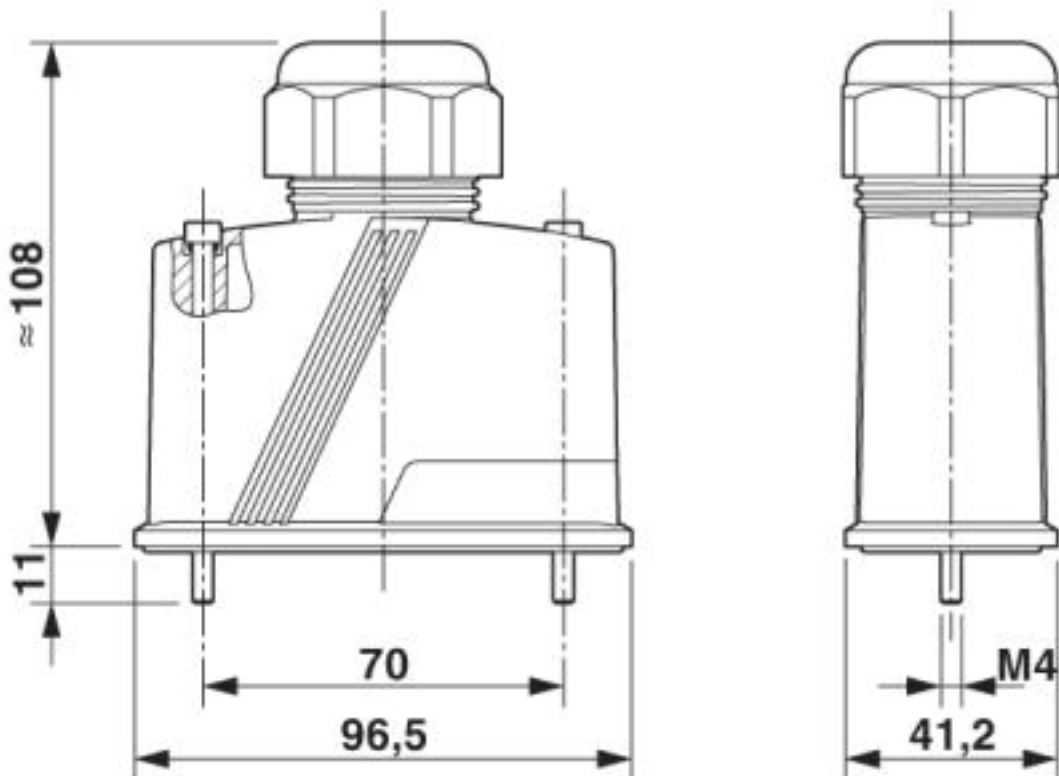
Flammability rating according to UL 94	V0
--	----

Environmental Product Compliance

China RoHS	Environmentally friendly use period: unlimited = EFUP-e
	No hazardous substances above threshold values

Drawings

Dimensional drawing



Phoenix Contact 2019 © - all rights reserved
<http://www.phoenixcontact.com>

PHOENIX CONTACT GmbH & Co. KG
Flachmarktstr. 8
32825 Blomberg
Germany
Tel. +49 5235 300
Fax +49 5235 3 41200
<http://www.phoenixcontact.com>