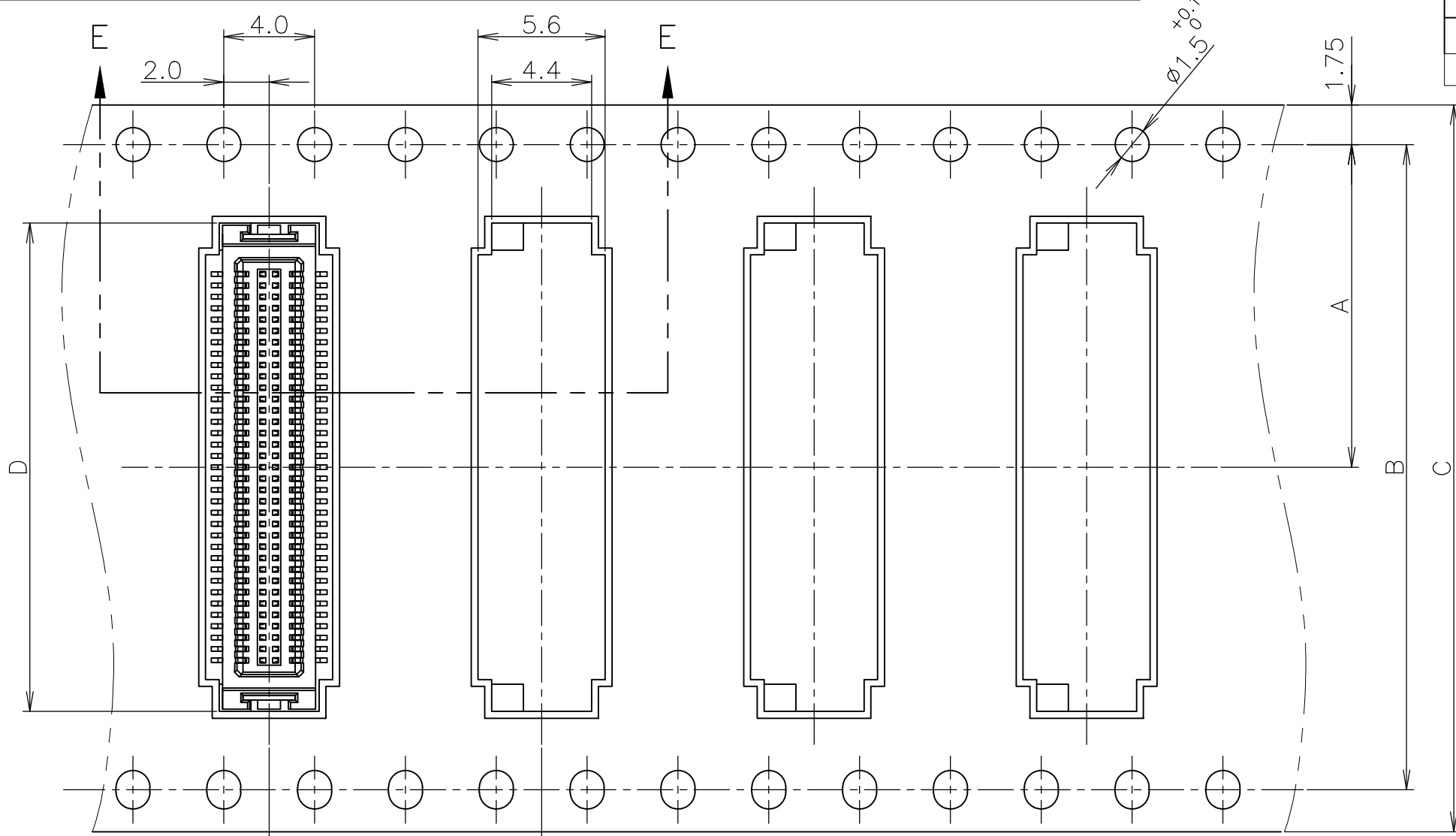


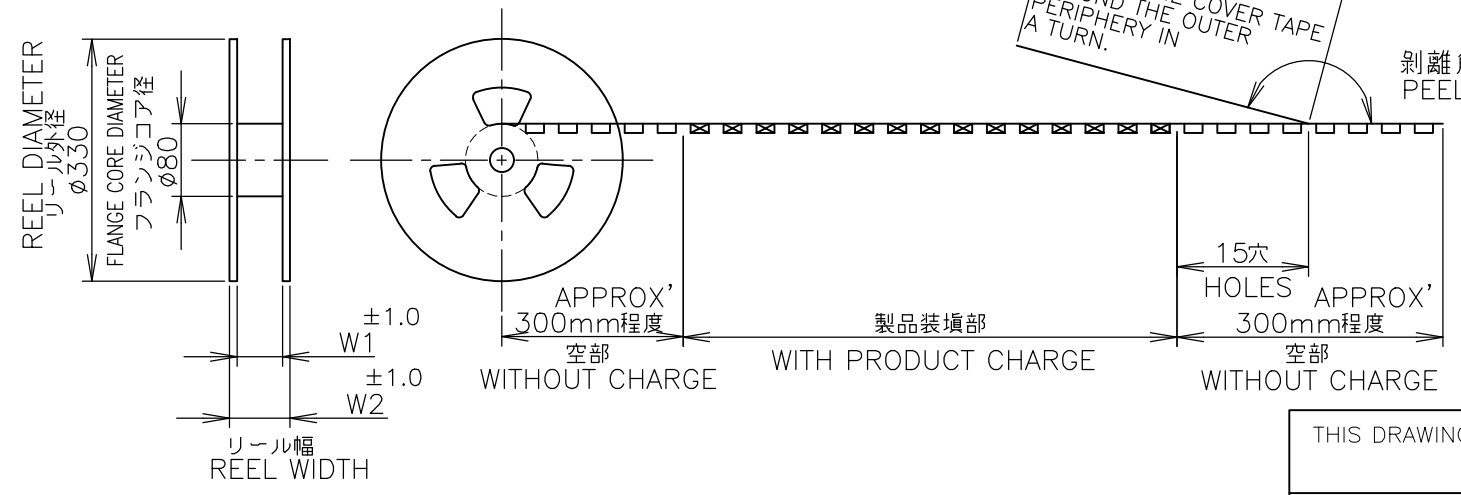
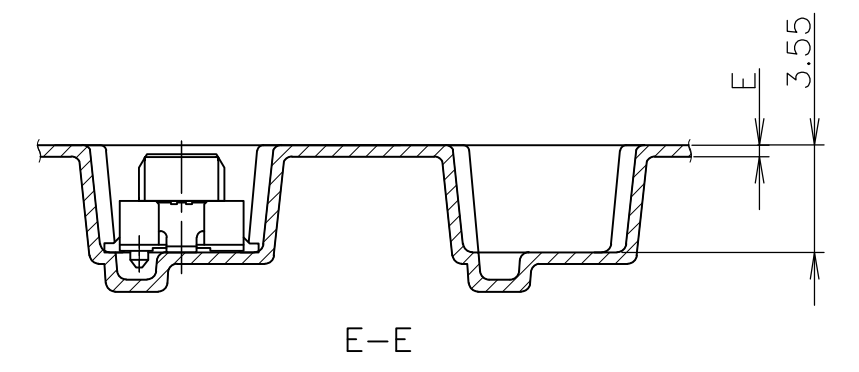
THIS DRAWING IS UNPUBLISHED. RELEASED FOR PUBLICATION . APR 2004
 © COPYRIGHT 2004 By - ALL RIGHTS RESERVED.

REVISIONS 変更					
P	LTR	DESCRIPTION	DATE	DWN	APVD
B		REVISED PER ECR-14-013112	30JAN2015	I.T	W.H
B1		REVISED PER ECO-17-015614	16OCT2017	R.L	H.L



テープ幅
TAPE WIDTH

引出し方向
TOP OF REEL →



カバーテープ
リーダーテープ
外周巻
WEEDING THE COVER TAPE
AROUND THE OUTER
PERIPHERY IN
A TURN.
剥離角度、165°~180°
PEELING ANGLE.

FOR P/N *-1,-3,-4,-5,-6,-9,
5-*-3,5-*-5

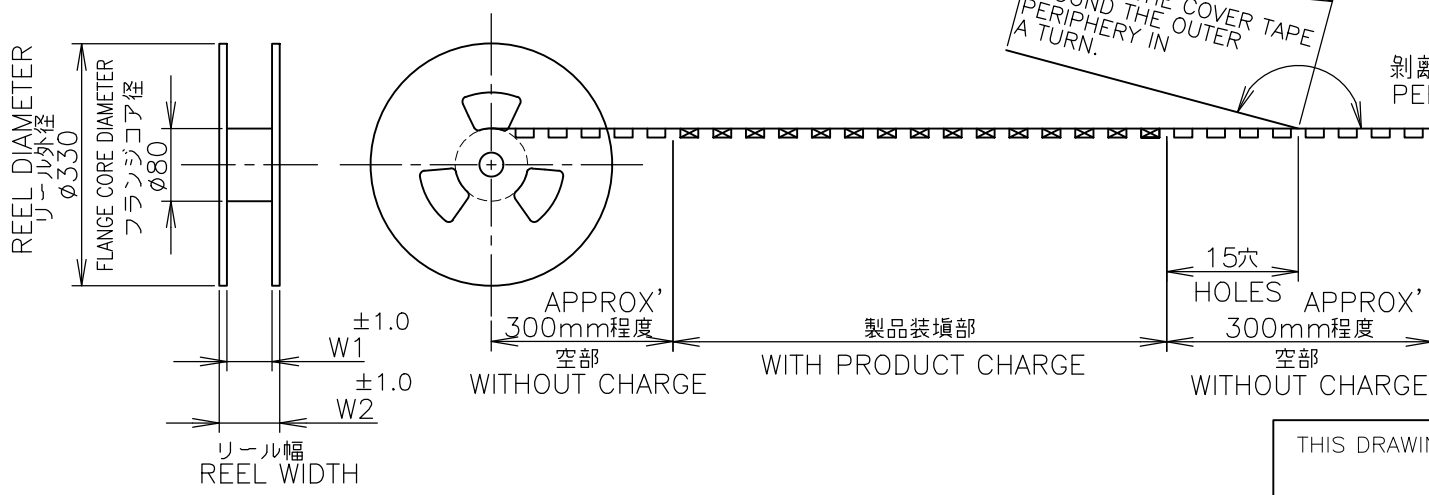
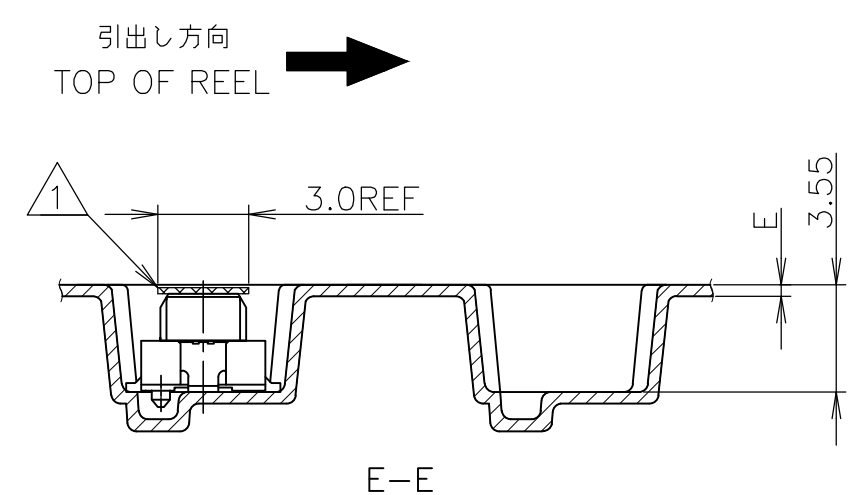
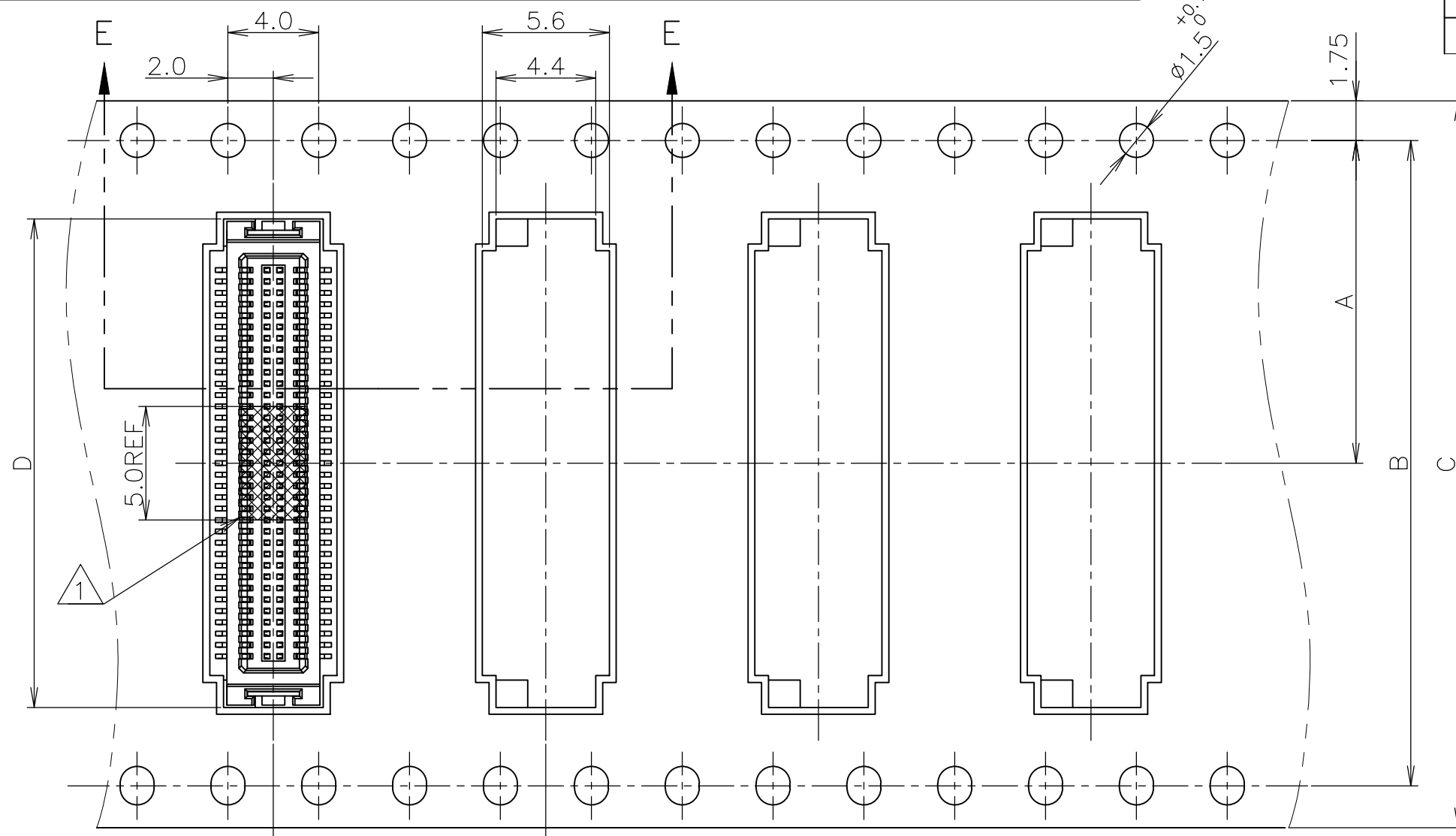
THIS DRAWING IS A CONTROLLED DOCUMENT.

DIMENSIONS: 単位: 耗 MM	TOLERANCES UNLESS OTHERWISE SPECIFIED: 一般公差
0 PLC	± 0.3
1 PLC	± 0.3
2 PLC	± 0.3
3 PLC	± 0.3
4 PLC	± 0.3
ANGLES	± 3°
MATERIAL 材料	FINISH 仕上

INSTRUCTION SHEET 取扱説明書 411-5808	WIRE RANGE 抱合電線断面積	INSULATION DIA 被覆外径
DWN Y.NAKAZAWA 23APR04	TE Connectivity	
CHK T.KUSUHARA 23APR04		
APVD H.MURAMATSU 23APR04	NAME 名称	
PRODUCT SPEC 製品規格 108-5496	ON TAPING (EMBOSS) 0.5mm PITCH FINE MATE CONN. RECEPTACLE ASSEMBLY	
APPLICATION SPEC 取付適用規格	SIZE A3	CAGE CODE 00779
WEIGHT 0	DRAWING NO 番号 C-1565357	RESTRICTED TO
CUSTOMER DRAWING	SCALE 尺度 4:1	SHEET 1 OF 3
		REV B1

THIS DRAWING IS UNPUBLISHED. RELEASED FOR PUBLICATION . APR 2004
 © COPYRIGHT 2004 By - ALL RIGHTS RESERVED.

REVISIONS					
変更					
P	LTR	DESCRIPTION	DATE	DWN	APVD
-	-	SEE SHEET 1	-	-	-



カバーテープ
リーダー部
外周一巻
WEEDING THE COVER TAPE
AROUND THE OUTER
PERIPHERY IN
A TURN.
剥離角度、165°~180°
PEELING ANGLE.

NOTES:
 ① POLYIMIDE TAPE FOR PICK AND PLACE.

THIS DRAWING IS A CONTROLLED DOCUMENT.

DIMENSIONS: 単位: 耗 MM	TOLERANCES UNLESS OTHERWISE SPECIFIED: 一般公差
0 PLC	± 0.3
1 PLC	± 0.3
2 PLC	± 0.3
3 PLC	± 0.3
4 PLC	± 0.3
ANGLES	± 3°
MATERIAL 材料	FINISH 仕上

INSTRUCTION SHEET 取扱説明書	WIRE RANGE 抱合電線断面積	INSULATION DIA 被覆外径
DWN	TE Connectivity	
CHK		
APVD	NAME 名称	
PRODUCT SPEC 製品規格	ON TAPING (EMBOSS) 0.5mm PITCH FINE MATE CONN. RECEPTACLE ASSEMBLY	
APPLICATION SPEC 取付適用規格	SIZE	CAGE CODE
WEIGHT	A3	00779
DRAWING NO 番号		RESTRICTED TO
C-1565357		
CUSTOMER DRAWING		SCALE 尺度 4:1
		SHEET 2 OF 3
		REV B1

FOR P/N 1-*--1

THIS DRAWING IS UNPUBLISHED.

RELEASED FOR PUBLICATION , APR 2004

© COPYRIGHT 2004 By -

ALL RIGHTS RESERVED.

REVISIONS

変更

P	LTR	DESCRIPTION	DATE	DWN	APVD
-	-	SEE SHEET 1	-	-	-

WITH BOSS	WITHOUT MYLAR	W2	W1	E	D	C	B	A	QTY/ REEL	POS	CONNECTOR P/N	TAPING P/N
		DIMENSIONS										
		37.5	33.5	0.4	19.1	32	28.4	14.2	1000	60	5-1565358-5	5-1565357-5
		50.5	45.5	0.4	24	44	40.4	20.2	1000	80	5-1565358-3	5-1565357-3
	WITH MYLAR	49.5	45.5	0.38	29.1	44	40.4	20.2	1000	100	1-1565358-1	1-1565357-1
	WITHOUT MYLAR	20.2	17.5	0.4	9.1	16	7.5	7.5	1000	20	1565358-9	1565357-9
	WITHOUT MYLAR	29.5	25.5	0.38	16.6	24	11.5	11.5	1000	50	1565358-6	1565357-6
	WITHOUT MYLAR	37.5	33.5	0.38	19.1	32	28.4	14.2	1000	60	1565358-5	1565357-5
	WITHOUT MYLAR	37.5	33.5	0.4	21.9	32	28.4	14.2	1000	70	1565358-4	1565357-4
	WITHOUT MYLAR	50.5	45.5	0.4	24	44	40.4	20.2	1000	80	1565358-3	1565357-3
	WITHOUT MYLAR	49.5	45.5	0.38	29.1	44	40.4	20.2	1000	100	1565358-1	1565357-1

ⓑ OBSOLETE

ⓑ OBSOLETE

ⓑ OBSOLETE

ⓑ OBSOLETE

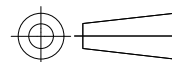
INSTRUCTION SHEET
取扱説明書

WIRE RANGE
抱合電線断面積

INSULATION DIA
被覆外径

THIS DRAWING IS A CONTROLLED DOCUMENT.

DIMENSIONS:
単位: 耗
MM



TOLERANCES UNLESS
OTHERWISE SPECIFIED:
一般公差

- 0 PLC ± 0.3
- 1 PLC ± 0.3
- 2 PLC ± 0.3
- 3 PLC ± 0.3
- 4 PLC ± 0.3
- ANGLES ± 3'

MATERIAL
材料

FINISH
仕上

DWN

CHK

APVD

PRODUCT SPEC
製品規格

APPLICATION SPEC
取付適用規格

WEIGHT

CUSTOMER DRAWING



TE Connectivity

NAME
名称

ON TAPING (EMBOSS)
0.5mm PITCH FINE MATE CONN.
RECEPTACLE ASSEMBLY

SIZE

CAGE CODE

DRAWING NO
番号

RESTRICTED TO

A300779

C-1565357

SCALE
尺度 4:1

SHEET
3 of 3

REV
B1