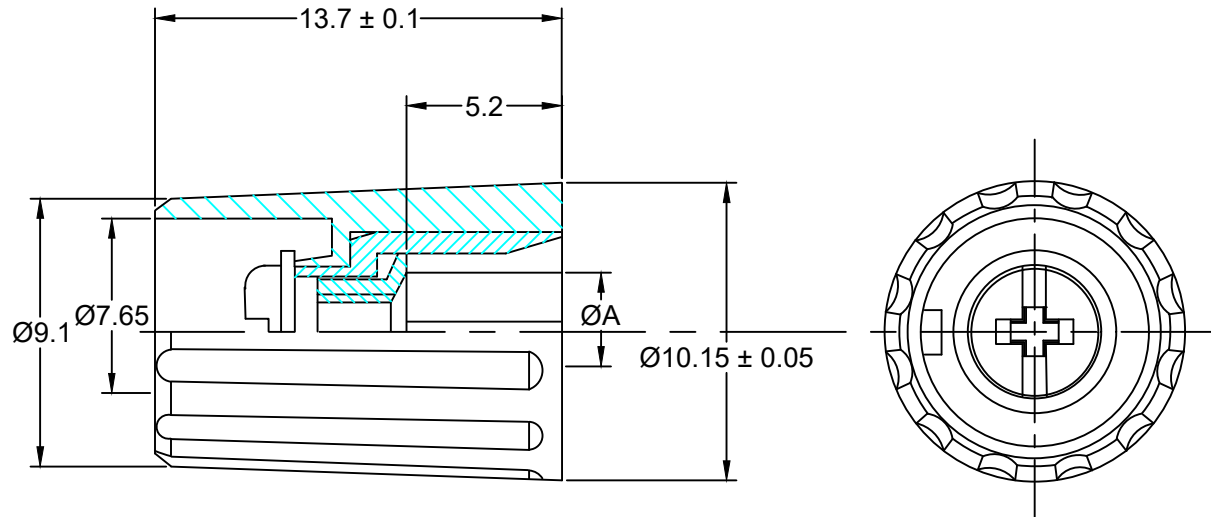


MATERIAL AND FINISH  
 Knob: Polyamide  
 Collet, Sleeve & nut: Brass 58

RoHS  
 COMPLIANT



ORDERING CODE:

20-10-XX X  
 1 2

1) SHAFT DIAMETER (A)

- 30 = 3mm
- 31 = 1/8"
- 40 = 4mm
- 60 = 6mm
- 61 = 1/4"

2) COLOR (SEE CHART)

P/N	COLOR
20-10-XX1	LIGHT GRAY
20-10-XX2	GRAY
20-10-XX3	BLACK
26-10-XX4	RED

TOLERANCE UNLESS OTHERWISE SPECIFIED	
X	± 1
X.X	± 0.4
X.XX	± 0.13

DRAWN BY: PB	DATE: 3/17/22
CHECK BY:	DATE:
APPR BY:	DATE:

**Power Dynamics, Inc.**  
 Phone: 973 560-0019 Whippary, New Jersey Fax: 973 560-0076

PART: STANDARD KNOB  
 10mm KNOB DIAMETER

PART #: **20-10-XXX**

SIZE: A  
 SCALE: NTS

ALL DIMENSIONS FOR REFERENCE ONLY  
 DIMENSIONS ARE IN MILLIMETERS

SHEET 1 of 1  
 REV:

REVISIONS	CHANGE	CHK	CHK	APPR
REV	DATE			