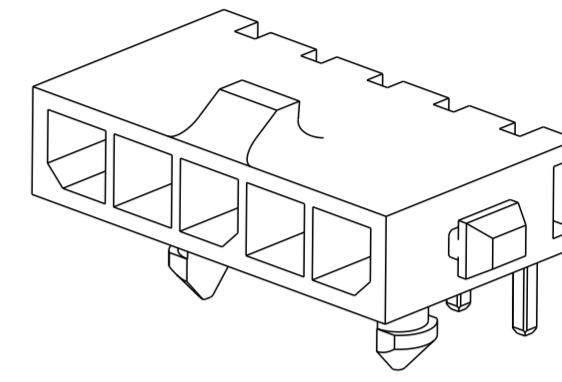
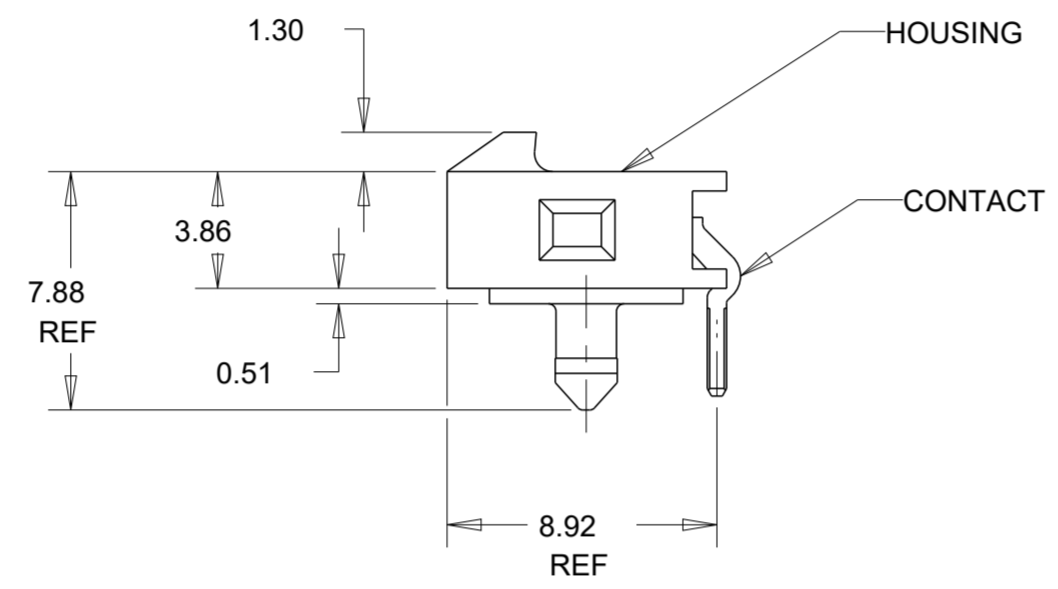
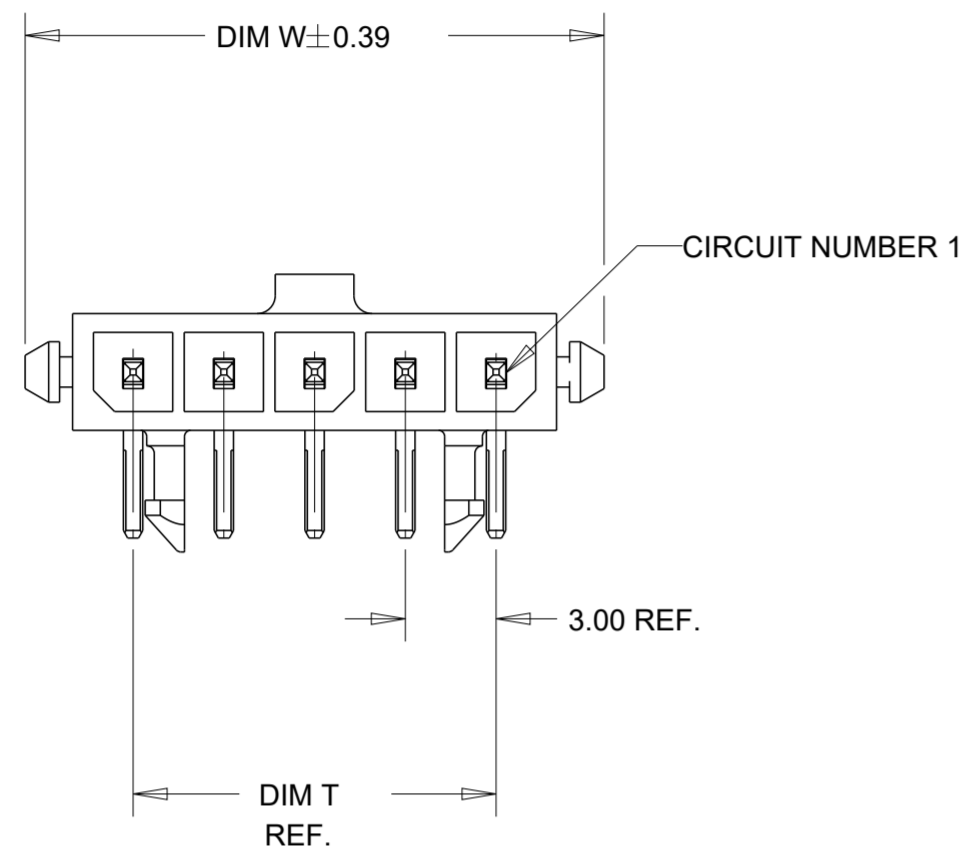
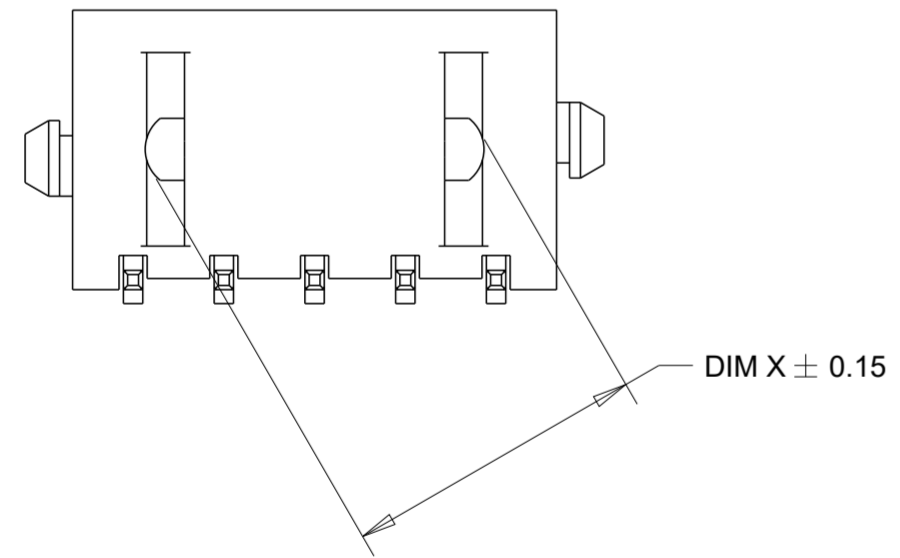


THIS DRAWING IS UNPUBLISHED. RELEASED FOR PUBLICATION 20
 © COPYRIGHT 20 BY - ALL RIGHTS RESERVED.

REVISIONS					
P	LTR	DESCRIPTION	DATE	DWN	APVD
B1		REVISED PER ECR-16-011494	20JUN2017	NK	CX
B2		ECO-19-006934	13MAY2019	AP	WS
C		REVISED PER ECN-20-100924	15DEC2020	WLS	VS



- 1 MATERIAL: HOUSING - UL 94V-O RATED HIGH TEMP., NYLON, COLOR BLACK. CONTACTS - BRASS
- 2 RECOMMENDED PC BOARD THICKNESS OF 1.57.
- 3 PLATING: CONTACTS - 2.54µm MINIMUM MATTE TIN OVER 1.27µm MINIMUM NICKEL.
- 4 COUNTERPART RECOMENDED IS PN 1445022 (DASH ACCORDING TO NUMBER OF POSITION).
- 5 FOR REELING DIRECTIONAND PACKAGING TYPE, SEE SPECIFICATION 114-13000.



32.20	33.00	28.70	33.00	40.14	12	3-1445055-2
29.20	30.00	25.70	30.00	37.14	11	3-1445055-1
26.20	27.00	22.70	27.00	34.14	10	3-1445055-0
23.20	24.00	19.70	24.00	31.14	9	2-1445055-9
20.20	21.00	16.70	21.00	28.14	8	2-1445055-8
17.20	18.00	13.70	18.00	25.14	7	2-1445055-7
14.20	15.00	10.70	15.00	22.14	6	2-1445055-6
11.20	12.00	7.70	12.00	19.14	5	2-1445055-5
8.00	9.00	4.70	9.00	16.14	4	2-1445055-4
3.30	-	-	6.00	13.14	3	2-1445055-3
3.30	-	-	3.00	10.14	2	2-1445055-2
DIM X	DIM Z	DIM V	DIM T	DIM W	NO. OF POSN	PART NUMBER

THIS DRAWING IS A CONTROLLED DOCUMENT.

DWN: J.ROOT 06OCT2000
 CHK: K.WHITAKER 13-MAR-2001
 APVD: K.WHITAKER 13-MAR-2001

STE TE Connectivity

NAME: RIGHT ANGLE THRU HOLEHEADER ASSY, TIN CONTACTS W/PLASTIC HOLDDOWNS, SINGLE ROW, MICRO MATE-N-LOK TM

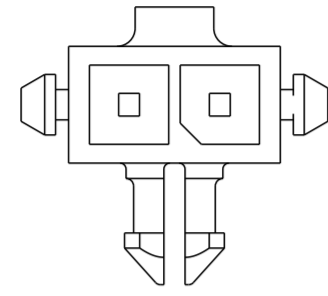
PRODUCT SPEC: 108-1836
 APPLICATION SPEC: 114-13000

SIZE: A2 CAGE CODE: 00779 DRAWING NO: 1445055 RESTRICTED TO: -
 WEIGHT: - SCALE: 4:1 SHEET 1 OF 2 REV C

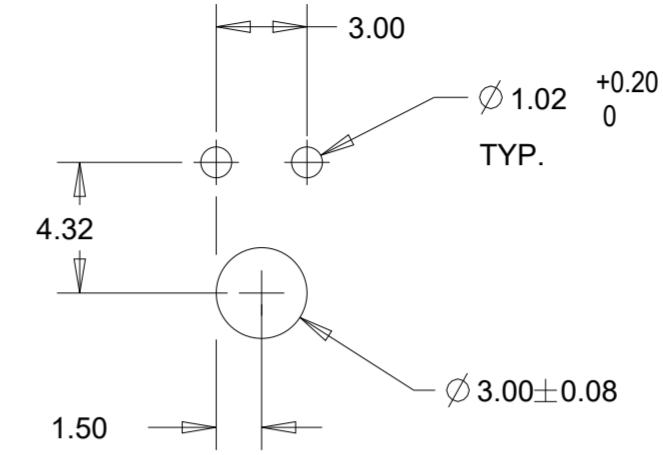
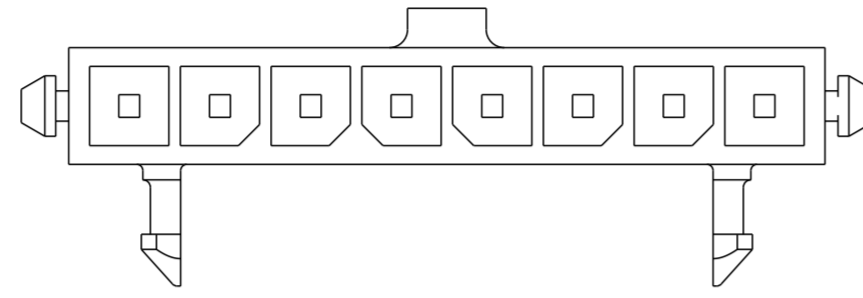
CUSTOMER DRAWING

REVISIONS					
P	LTR	DESCRIPTION	DATE	DWN	APVD
-	-	SEE SHEET 1	-	-	-

2 POS.

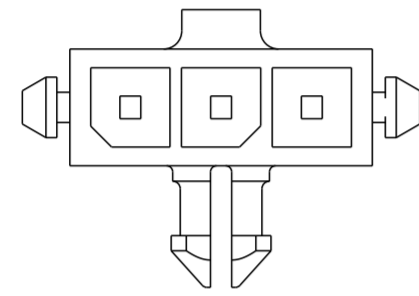


8 POS.

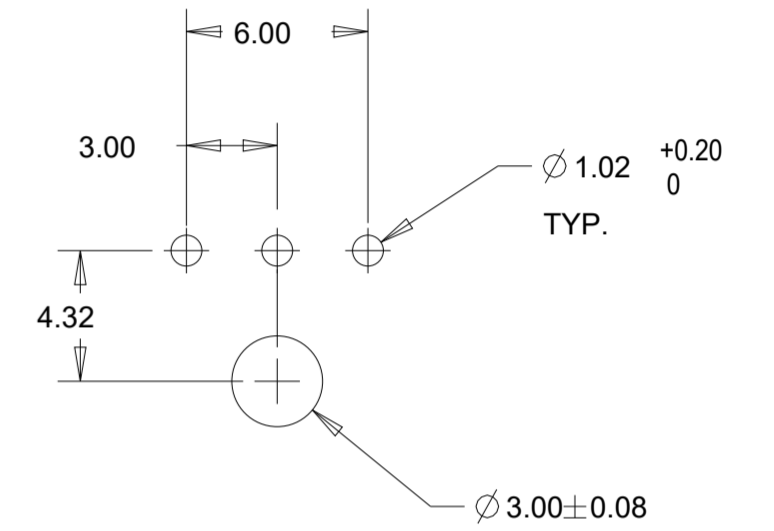
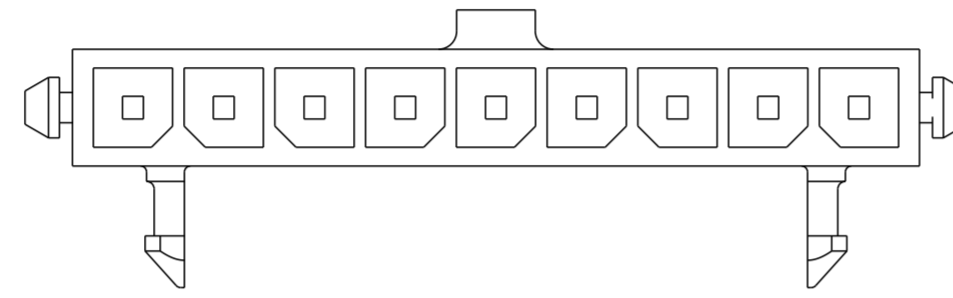


PCB LAYOUT FOR 2 POSITION COMPONENT SIDE

3 POS.

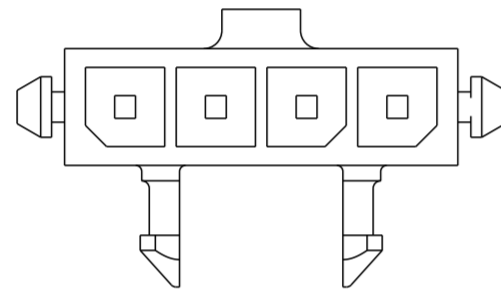


9 POS.

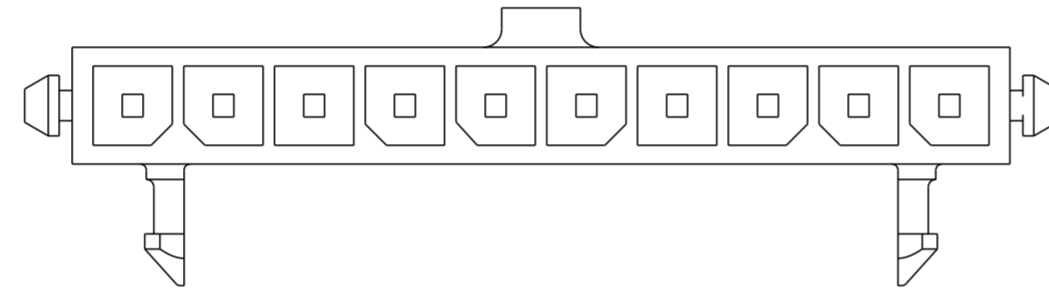


PCB LAYOUT FOR 3 POSITION COMPONENT SIDE

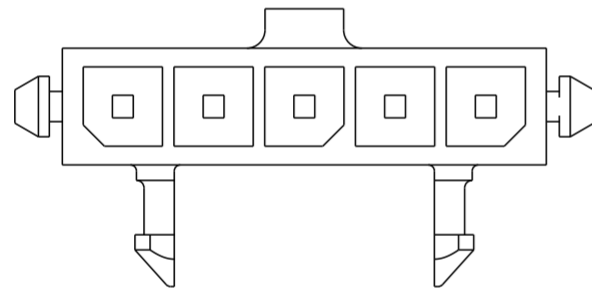
4 POS.



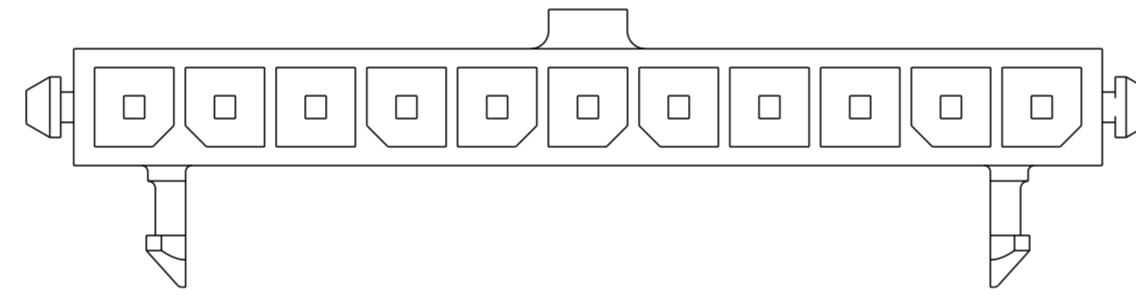
10 POS.



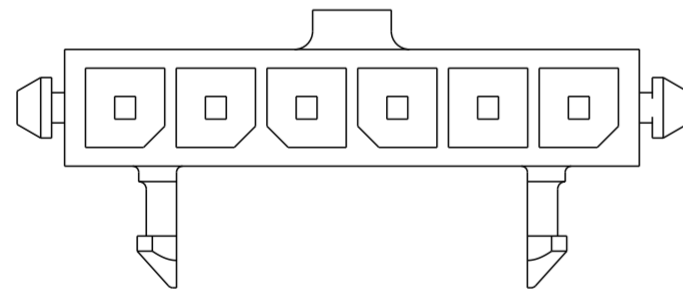
5 POS.



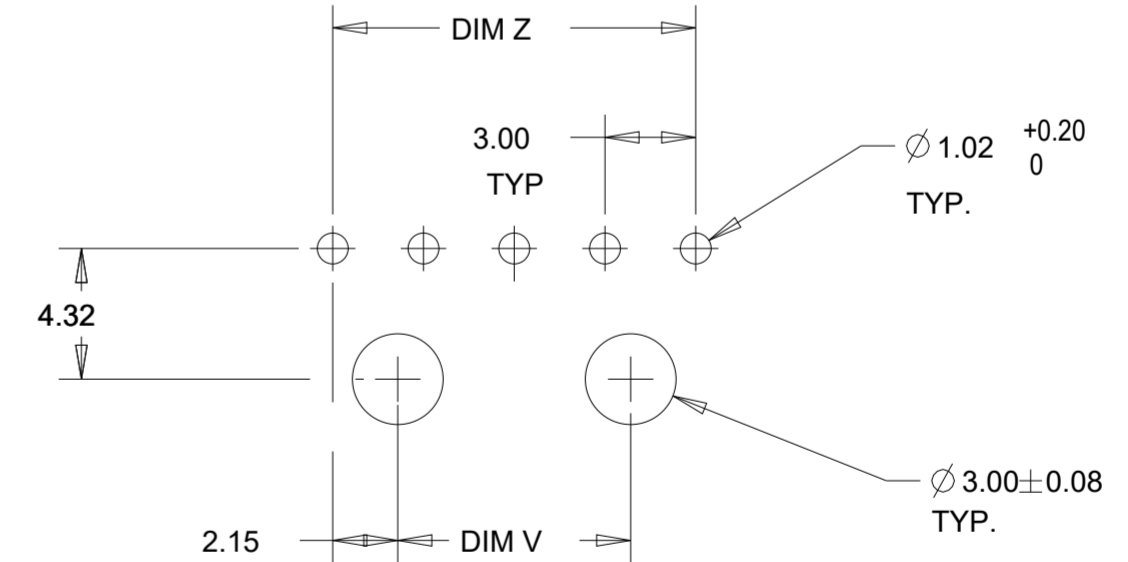
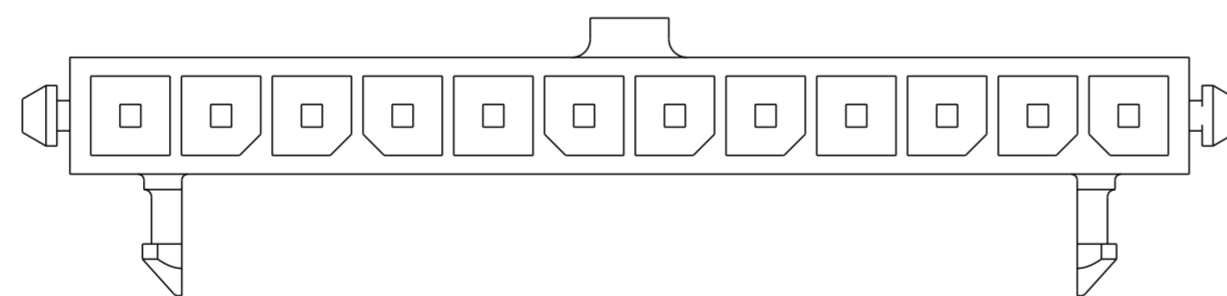
11 POS.



6 POS.

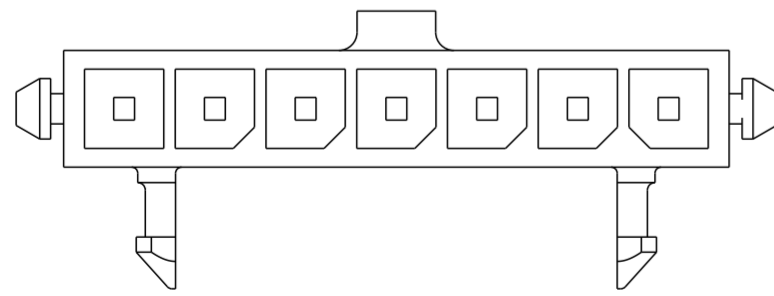


12 POS.



PCB LAYOUT FOR 4-12 POSITION COMPONENT SIDE

7 POS.



KEYING POSITION BI SIZE

THIS DRAWING IS A CONTROLLED DOCUMENT.		DWN J.ROOT 06OCT2000	TE Connectivity	
DIMENSIONS: mm		CHK K.WHITAKER 13-MAR-2001		
TOLERANCES UNLESS OTHERWISE SPECIFIED:		APVD K.WHITAKER 13-MAR-2001	NAME RIGHT ANGLE THRU HOLEHEADER ASSY, TIN CONTACTS W/PLASTIC HOLDDOWNS, SINGLE ROW, MICRO MATE-N-LOK TM	
0 PLC ± 1 PLC ± 2 PLC ±0.13 3 PLC ± 4 PLC ± ANGLES ±1° FINISH		PRODUCT SPEC -	SIZE A2	CAGE CODE 00779
MATERIAL -		APPLICATION SPEC -	DRAWING NO 1445055	RESTRICTED TO -
-		WEIGHT -	SCALE 5:1	SHEET 2 OF 2
-		CUSTOMER DRAWING	REV C	