

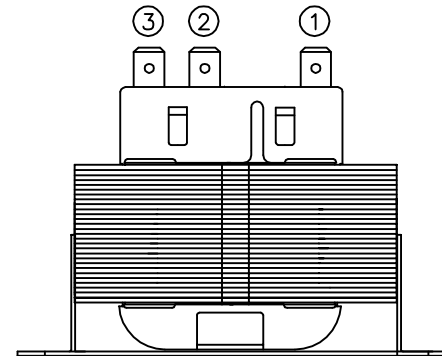
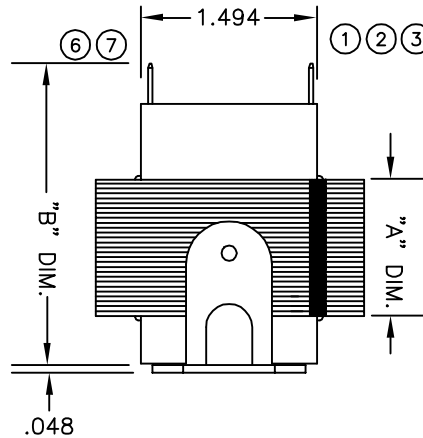
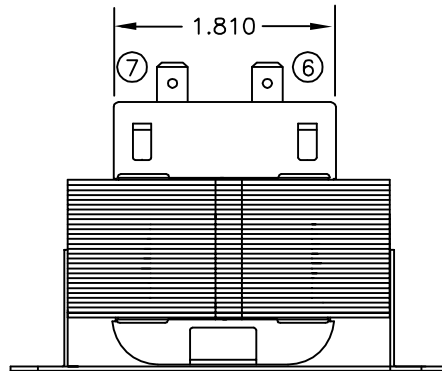
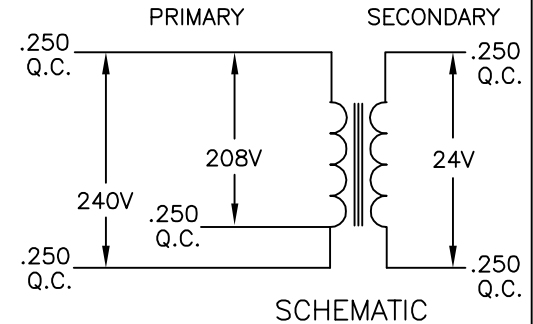
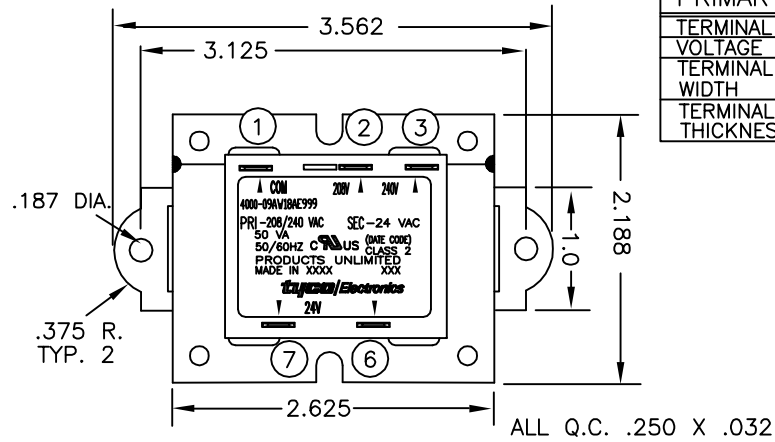
THIS DRAWING IS UNPUBLISHED. RELEASED FOR PUBLICATION - .02FEB04
 © COPYRIGHT - BY TYCO ELECTRONICS CORPORATION. ALL RIGHTS RESERVED.

LOC	DIST	REVISIONS		
GZ	00	P	LTR	DESCRIPTION
		A		NEW FORMAT & EC0720-0054-04
			DATE	DWN
			02FEB04	MD
				APVD
				WS

PRIMARY			
TERMINAL NO.	1	2	3
VOLTAGE	COM	208	240
TERMINAL WIDTH	.250	.250	.250
TERMINAL THICKNESS	.032	.032	.032

- NOTES
 1. DIMENSIONS FOR REFERENCE ONLY.
 2. WINDING PROTECTION-INHERENTLY LIMITING

CERTIFICATION: UL & CUL FILE NO. E87824		
SECONDARY		
TERMINAL NO.	6	7
VOLTAGE	24	VAC
TERMINAL WIDTH	.250	.250
TERMINAL THICKNESS	.032	.032



THIS DRAWING IS A CONTROLLED DOCUMENT.

DIMENSIONS:	TOLERANCES UNLESS OTHERWISE SPECIFIED:
INCHES	
	0 PLC +- 1 PLC +- 2 PLC +- 3 PLC +- 4 PLC +- ANGLES ±1°
MATERIAL	FINISH
-	-

DWN	M.DAVIS	02FEB04
CHK	W.SORAH	02FEB04
APVD	W.SORAH	02FEB04
PRODUCT SPEC	-	-
APPLICATION SPEC	-	-
WEIGHT	-	-
CUSTOMER DRAWING		

CUST. NO.	-	TYCO PART NUMBER	6-1611461-2
Products		Tyco Electronics Corporation	
-WWW.TYCOELECTRONICS.COM		Harrisburg, Pa 17105-3608	
NAME			
TRANSFORMER OUTLINE			
-			
SIZE	CAGE CODE	DRAWING NO	RESTRICTED TO
A3	00779	C=4000-09AW18AE999	-
SCALE		SHEET	REV
NTS		1 OF 1	A