

1 Products affected

Product hierarchy no. *				Part no.	SBU	Type / Description	Customer part no.
SBU	PG	PUG	Type				
02	005	106	0000001121	See list below	Appliance inlet	6150	

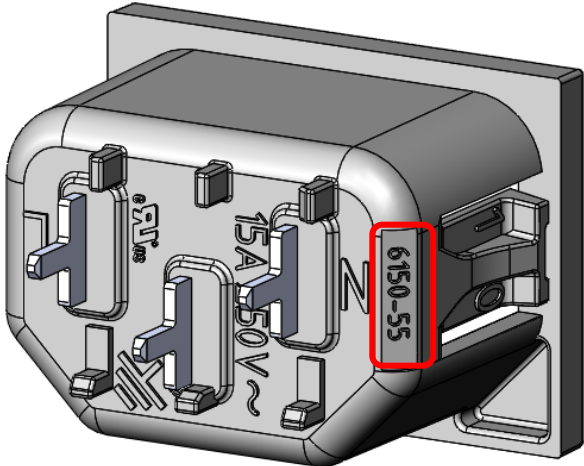
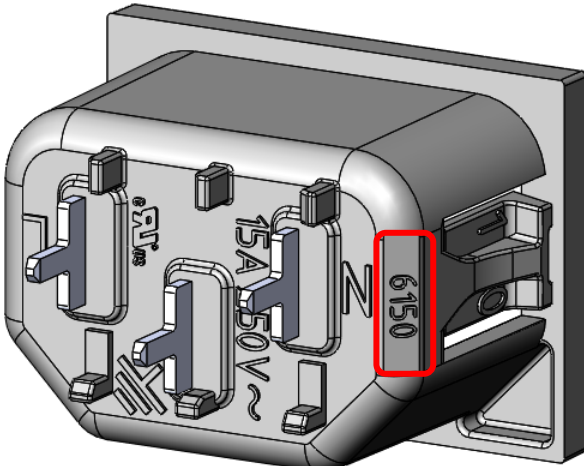
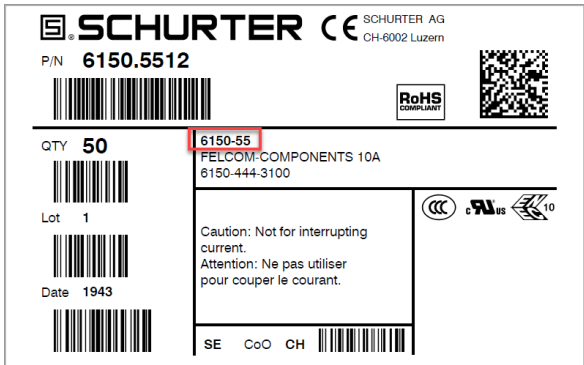
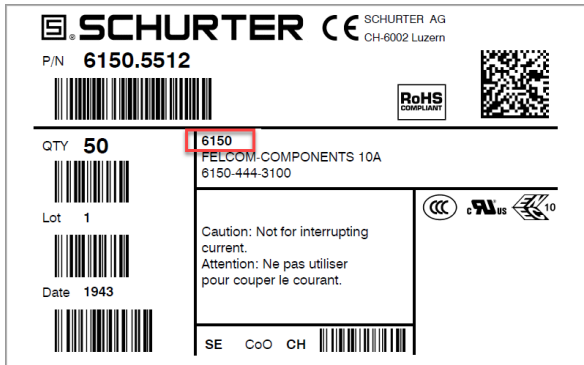
*SBU (2-digit) / PG (3-digit) / PUG (3-digit) / Type (10-digit)

List of numbers affected:							
6150.5510	6150.5512	6150.5515	6150.5520	6150.5525	6150.5530		

2 Type of change

- Change of markings for the type designation

3 Detailed description of change

Old product appearance	New product appearance
	
Old label	New label
	

4 Reason of change

- The modification is due to harmonization processes.

5 Release date

The change will be rolled-out starting ww 09/2020 (Date code 2009 or higher on label) and lasts approx. 6 months depending on the variant. This change has no effect on the validity of the approval certificates.

Product Change Notification						6150 type designation updated	
owner	creation date	release date	released by	change order no	rev	page	D10-040-249
sariogar	10.10.2019	11.12.2019	muehlema	2018525	A	1 of 2	

6 Impact of change and recommended action

Form	Yes	Change of type designation marking
Fit	No	-
Function	No	-
Manufacturing	No	-
Label	Yes	Change on label
Packaging	No	-

7 Reference Documents / Attachments

Kind of document	Remarks
Data sheet 6150	

Product Change Notification					6150 type designation updated		
owner	creation date	release date	released by	change order no	rev	page	D10-040-249
sariogar	10.10.2019	11.12.2019	muehlema	2018525	A	2 of 2	