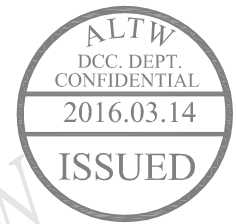
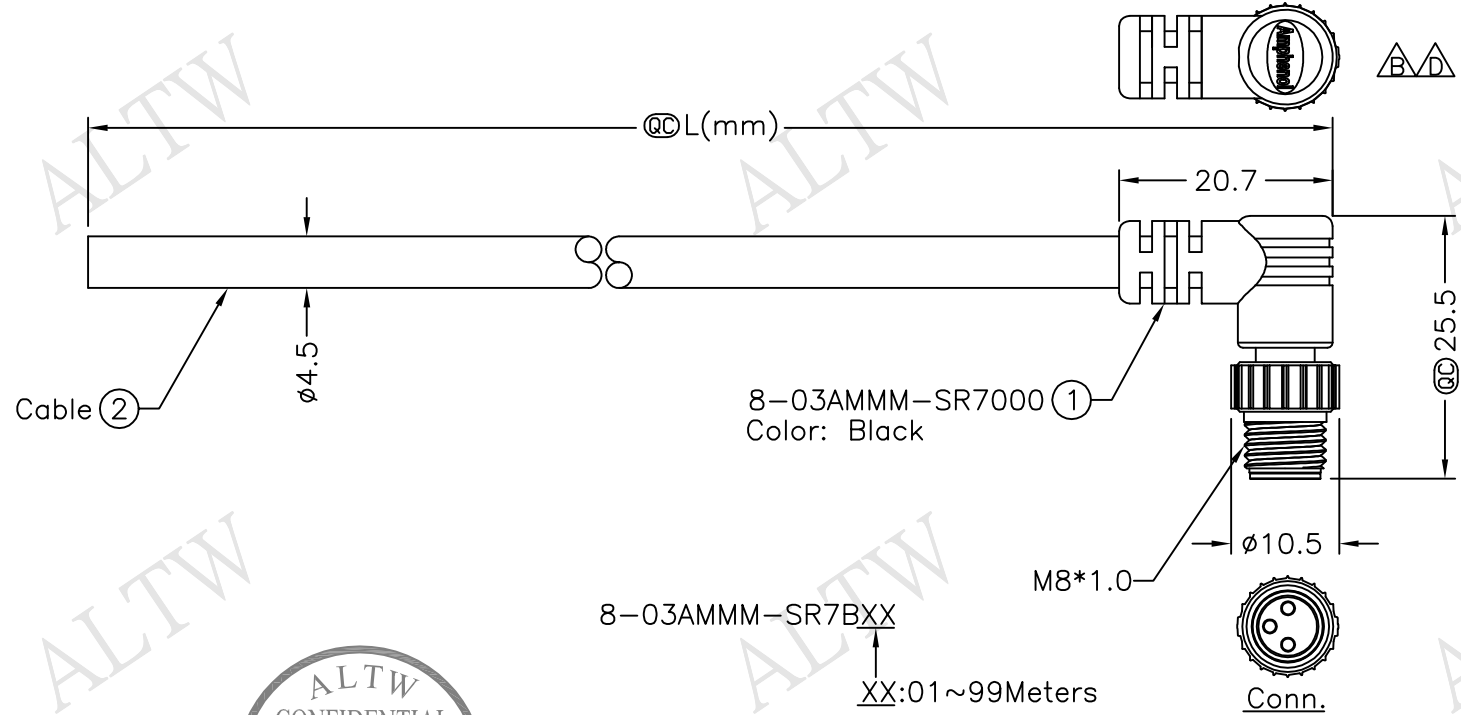
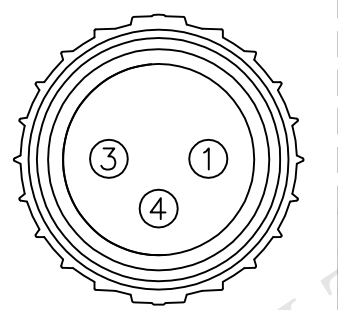


REV.	ECN NO.	DATE	SIGN	DESCRIPTION
B	LEN-780069	2007/06/06	J.De Castro	Add Projection,Change Pin-Out.
C	LEN-920217~220	2009/02/04	Vicky	Update the drawing.
D	LEN1630153~156	2016/03/07	Vicky	Update Logo



8-03AMMM-SR7BXX
 XX:01~99Meters
 01:01Meter
 02:02Meters
 :
 :
 99:99Meters
 Cable Length(L):01~99Meters

- Note:
- * @C Important Dimension.
 - * Waterproof Rate: IP67
 - * Connector: PU, Black
 - * Male Pin: Copper Alloy, Gold Plated
 - * Cable: 22AWG*3C+Insulation, Black, PU, OD=4.5mm
 - * Cable Length Tolerance:
 - 01M:±40mm
 - 02M~05M:±60mm
 - 06M~10M:±100mm
 - 11M~30M:±200mm
 - 31M~99M:±500mm



4	Black	黑	△
3	Blue	藍	
1	Brown	棕	△
Conn.	Wire Color		
Pin Out			

UNIT:mm	
TOLERANCE	±0.5 mm

TITLE	M8 Conn		
	Cable Screw 3P M Conn M Pin		
SCALE	Free	SHEET 1	OF 1
REV.	D	SIZE	A4
		@C	:Inspection Item

Amphenol LTW
 安費諾亮泰企業股份有限公司

ITEM NO	8-03AMMM-SR7BXX	DRAWN BY	Vicky	DATE	2016/03/07
DWG NO	8-03AMMM-SR7BXX	CHECKED BY	Rita	DATE	2016/03/07
CUSTOMER	ALTW	APPROVED BY	Lisa	DATE	2016/03/07

THIS DOCUMENT IS SUBJECT TO CHANGE WITHOUT NOTICE. IT IS CONFIDENTIAL AND A PROPERTY OF Amphenol LTW. DISCLOSURE TO THIRD PARTY HAS TO BE AUTHORIZED BY Amphenol LTW.

A B C D E F