

Specification / Drawing Change Notice

SANYO DENKI CO., LTD.
Design Department, Cooling Systems Division

SANYO DENKI America, Inc.
Cooling Systems Division

SANYO DENKI Ref. No.: A0050472B

1. Information

To: Sanyo Denki America Cooling Distributors

Product Affected: San Ace 200 9GV type
9GV2048P0G201, 9GV2048P0G203, 9GV2048P0G204,

Model No.: 9GV2048P0G205, 9GV2048P0G206, 9GV2048P0G207

Date of Publication: June 16th, 2021

Should you have any issues with the schedule or content of this change, please contact your sales representative.

2. Change Description

Item 1	Outline Change of drive IC.
	Before Change - Model number: LV8127T - Manufacturer: ON Semiconductor Corporation
	After Change - Model number: PIC16F1828 - Manufacturer: Microchip Technology Inc.
	Reason for Change The drive IC [LV8127T] is discontinued and will be changed to [PIC16F1828].

Item 2	Outline Change of the circuit.
	Reason for Change The circuit will be changed to match the specifications of the changed IC [PIC16F1828].

Specification / Drawing Change Notice

SANYO DENKI CO., LTD.
Design Department, Cooling Systems Division

SANYO DENKI America, Inc.
Cooling Systems Division

SANYO DENKI Ref. No.: A0050472B

Item 3	Outline Change of the control when power is turned off
	Before Change The brake work temporarily when power is turned off.
	After Change The brake does not work when power is turned off.
	Reason for Change The control when power is turned off will be changed to match the specifications of the changed IC [PIC16F1828]. And it will be changed relevant notes of outline drawing.

Item 4	Outline Change of the control when power is turned on
	Before Change If the rotor of fan is spinning when power is turned on, the fan does not start running until the rotation speed is less than 100 min ⁻¹ .
	After Change If the rotor of fan is spinning <u>in reverse</u> when power is turned on, the fan does not start running until the rotation speed is less than 100 min ⁻¹ .
	Reason for Change The control when power is turned on will be changed to match the specifications of the changed IC [PIC16F1828]. And it will be changed relevant notes of outline drawing.

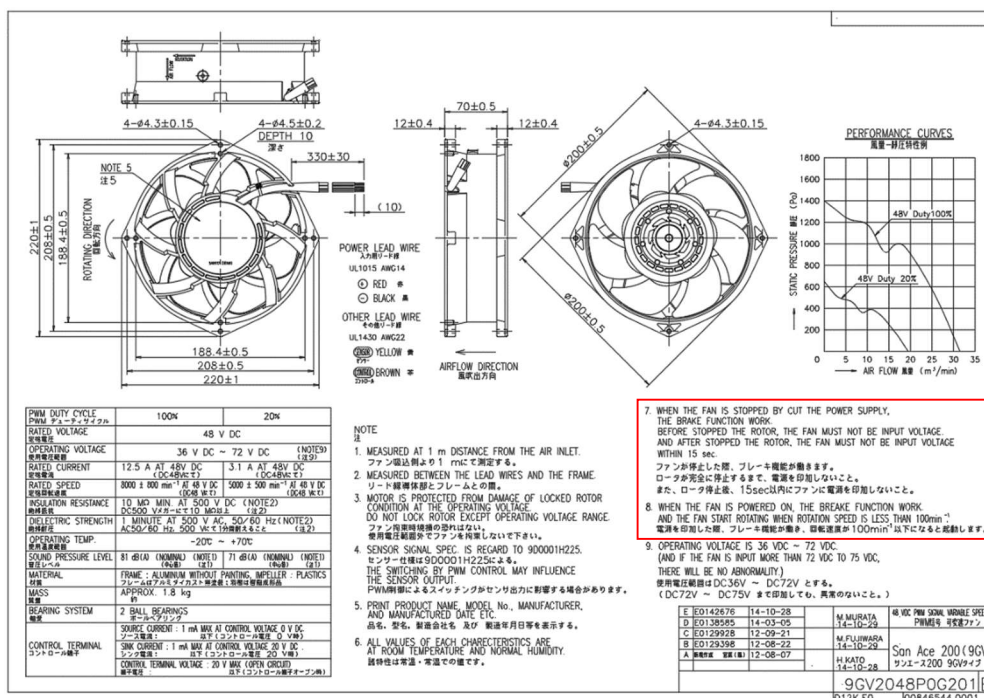
Specification / Drawing Change Notice

SANYO DENKI CO., LTD.
Design Department, Cooling Systems Division

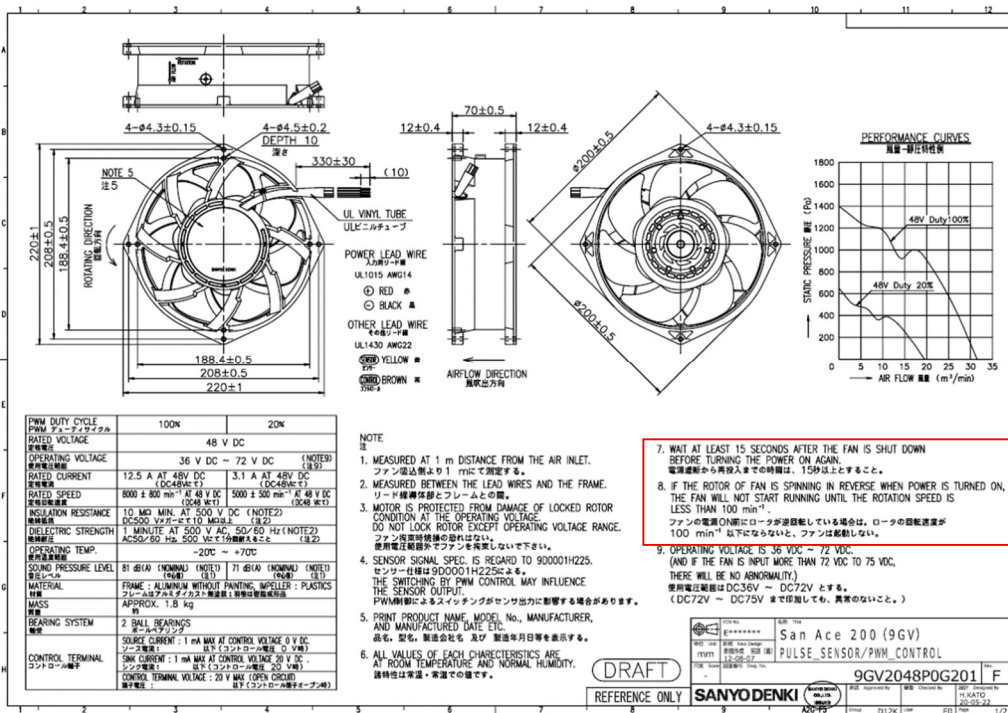
SANYO DENKI America, Inc.
Cooling Systems Division

SANYO DENKI Ref. No.: A0050472B

Outline drawing before change (Reference)



Outline drawing after change (Reference)



Specification / Drawing Change Notice

SANYO DENKI CO., LTD.
Design Department, Cooling Systems Division

SANYO DENKI America, Inc.
Cooling Systems Division

SANYO DENKI Ref. No.: A0050472B

3. Schedule of Change

Time of Implementation: It will be implemented from March 2022 production.
Please note that the Implementation date may change depending on the number of products in the inventory.
We will prepare a sample for evaluation, so please contact us when you need it.

There is no change in sensor specifications or fan performance.

Issued by: *Hidetoshi Kato*



Title:

Reviewed by: *Masato Murata*



Title: Senior Supervising Engineer

Authorized by: *Michinori Watanabe*



Title: Department Manager