

DS64MB201 Dual Lane 2:1/1:2 Mux/Buffer with Equalization and De-Emphasis

Check for Samples: [DS64MB201](#)

FEATURES

- Up to 6.4 Gbps dual lane 2:1 mux, 1:2 switch or fan-out
- Adjustable receive equalization up to +33 dB gain
- Adjustable transmit de-emphasis up to –12 dB
- Adjustable transmit VOD
- <0.25 UI of residual DJ at 6.4 Gbps with 40” FR4 trace
- SATA/SAS: OOB signal pass-through
- Adjustable electrical IDLE detect threshold
- Low power
- Signal conditioning programmable via pin selection or SMBus interface
- Single 2.5V supply operation
- >6 kV HBM ESD Rating
- 3.3V tolerant SMBus interface
- High speed signal flow–thru pinout package: 54-pin WQFN (10 mm x 5.5 mm)

APPLICATIONS

- SAS and SATA (1.5, 3.0 and 6 Gbps)
- XAUI (3.125 Gbps), RXAUI (6.25 Gbps)
- sRIO – Serial Rapid I/O
- Fibre Channel (4.25 Gbps)
- 10GBase-CX4, InfiniBand (SDR & DDR)
- FR-4 backplane traces

DESCRIPTION

The DS64MB201 is a dual lane 2:1 multiplexer and 1:2 switch or fan-out buffer with signal conditioning suitable for SATA/SAS and other high-speed bus applications up to 6.4 Gbps. The device performs both receive equalization and transmit de-emphasis, allowing maximum flexibility of physical placement within a system. The receiver's continuous time linear equalizer (CTLE) provides a boost of up to +33 dB at 3 GHz and is capable of opening an input eye that is completely closed due to inter-symbol interference (ISI) induced by the interconnect medium. The transmitter features a programmable output de-emphasis driver and allows amplitude voltage levels to be selected from 600 mVp-p to 1200 mVp-p to suit multiple application scenarios. The signal conditioning settings are programmable via control pin settings or SMBus interface.

To enable seamless upgrade from SAS/SATA 3.0 Gbps to 6.0 Gbps data rates without compromising physical reach, DS64MB201 automatically detects the incoming data rate and selects the optimal de-emphasis pulse width. The device detects the out-of-band (OOB) idle and active signals of the SAS/SATA specification and passes through with minimum signal distortion.



Please be aware that an important notice concerning availability, standard warranty, and use in critical applications of Texas Instruments semiconductor products and disclaimers thereto appears at the end of this data sheet.

All trademarks are the property of their respective owners.

Typical Application

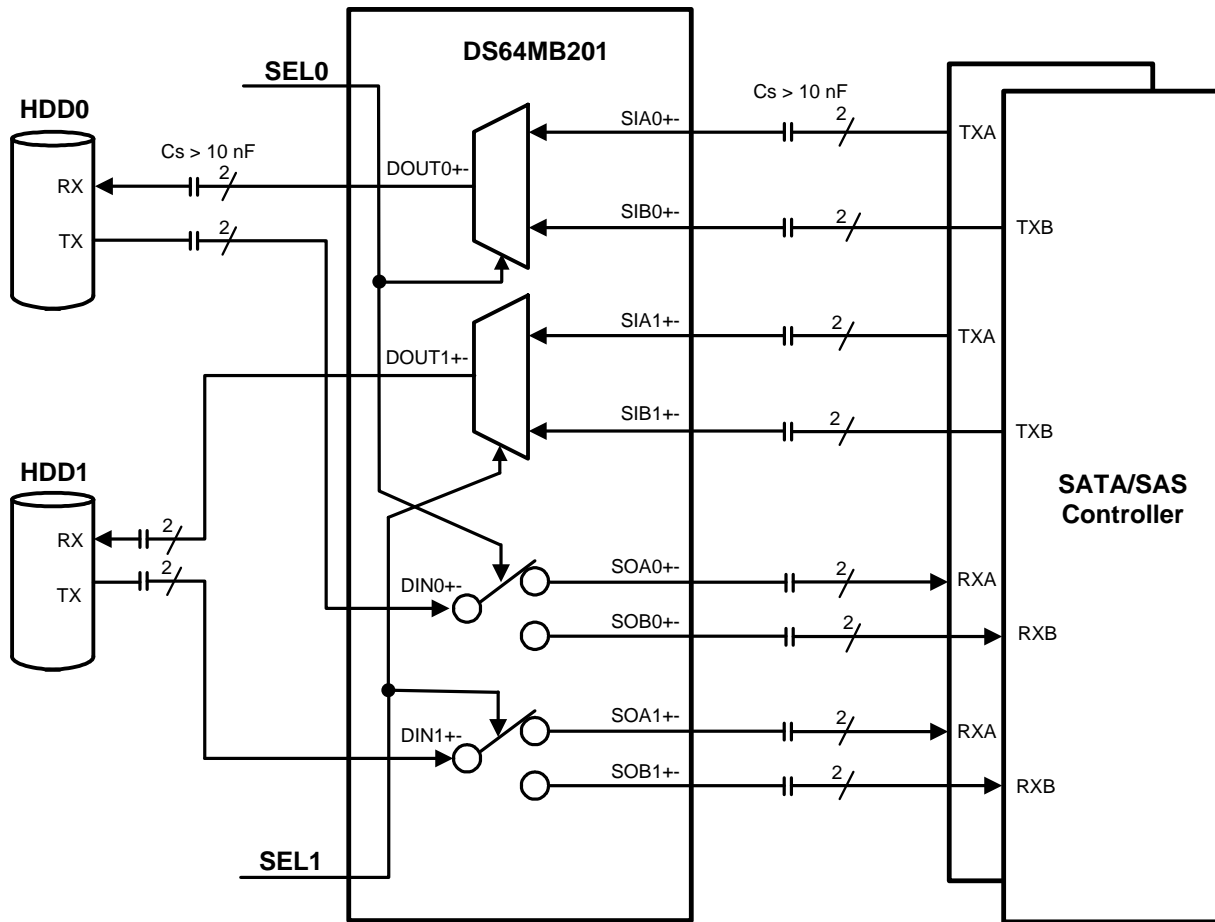
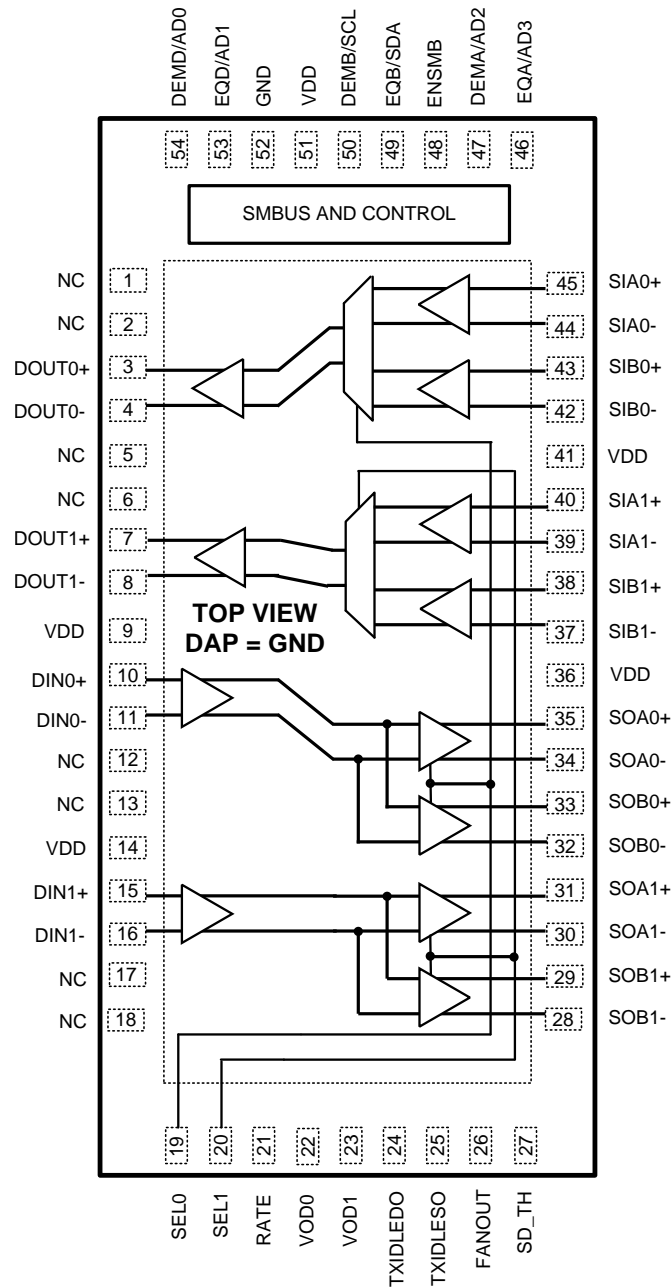


Figure 1.

Pin Diagram



The center DAP on the package bottom is the device GND connection. This pad must be connected to GND through multiple (minimum of 4) vias to ensure optimal electrical and thermal performance.

Figure 2. DS64MB201 Pin Diagram 54L WQFN

Table 1. Pin Descriptions

Pin Name	Pin Number	I/O, Type ⁽¹⁾	Pin Description
Differential High Speed I/O's			
SIA0+, SIA0-, SIA1+, SIA1-	45, 44, 40, 39	I, CML	Inverting and non-inverting CML differential inputs to the equalizer. A gated on-chip 50Ω termination resistor connects SIA_n+ to VDD and SIA_n- to VDD when enabled.
SOA0+, SOA0-, SOA1+, SOA1-	35, 34, 31, 30	O	Inverting and non-inverting low power differential signaling 50Ω outputs with de-emphasis. Fully compatible with AC coupled CML inputs.
SIB0+, SIB0-, SIB1+, SIB1-	43, 42, 38, 37	I, CML	Inverting and non-inverting CML differential inputs to the equalizer. A gated on-chip 50Ω termination resistor connects SIB_n+ to VDD and SIB_n- to VDD when enabled.
SOB0+, SOB0-, SOB1+, SOB1-	33, 32, 29, 28	O	Inverting and non-inverting low power differential signaling 50Ω outputs with de-emphasis. Fully compatible with AC coupled CML inputs.
DIN0+, DIN0-, DIN1+, DIN1-	10, 11, 15, 16	I, CML	Inverting and non-inverting CML differential inputs to the equalizer. A gated on-chip 50Ω termination resistor connects SIB_n+ to VDD and SIB_n- to VDD when enabled.
DOUT0+, DOUT0-, DOUT1+, DOUT1-	3, 4, 7, 8	O	Inverting and non-inverting low power differential signaling 50Ω outputs with de-emphasis. Fully compatible with AC coupled CML inputs.
Control Pins — Shared (LVCMOS)			
ENSMB	48	I, LVCMOS w/ internal pull- down	System Management Bus (SMBus) enable pin. HIGH = Register Access: Provides access to internal digital registers to control such functions as equalization, de-emphasis, VOD, rate, channel powerdown, and idle detection threshold. LOW = Pin Mode: Access to the SMBus registers are disabled and control pins are used to program VOD, rate, idle detection, equalization and de-emphasis settings. Please refer to System Management Bus (SMBus) and Configuration Registers section and Electrical Characteristics — Serial Management Bus Interface for detailed information.
ENSMB = 1 (SMBUS MODE)			
SDA, SCL	49, 50	I, LVCMOS	ENSMB = 1 The SMBus SDA (data input/output bi-directional) and SCL (clock input) pins are enabled.
AD[3:0]	54, 53, 47, 46	I, LVCMOS w/ internal pull- down	ENSMB = 1 SMBus Slave Address Inputs. In SMBus mode, these pins are the user set SMBus slave address inputs.
ENSMB = 0 (NORMAL PIN MODE)			
EQA, EQB, EQD	46, 49, 53	I, Float, LVCMOS	EQA/B/D, 3-level input controls the level of equalization. EQA controls the level of equalization of the SIA0 and SIA1 inputs. EQB controls the level of equalization of the SIB0 and SIB1 inputs. EQD controls the level of equalization of the DIN0 and DIN1 inputs. The pins are active only when ENSMB is de-asserted (Low). When ENSMB goes high the SMBus control registers provide independent control of each lane. See Table 2
DEMA, DEMB, DEMD	47, 50, 54	I, Float, LVCMOS	DEMA/B/D, 3-level input controls the level of de-emphasis. DEMA controls the level of de-emphasis of the SOA0 and SOA1 outputs. DEMB controls the level of de-emphasis of the SOB0 and SOB1 outputs. DEMD controls the level of de-emphasis of the DOUT0 and DOUT1 outputs. The pins are active only when ENSMB is de-asserted (Low). When ENSMB goes High the SMBus control registers provide independent control of each lane. See Table 3
Control Pins — Both Modes (LVCMOS)			
RATE	21	I, Float, LVCMOS	RATE, 3-level input controls the pulse width of de-emphasis of the output. RATE = 0 forces ~3 Gbps, RATE = 1 forces ~6 Gbps, RATE = Float enables auto rate detection. See Table 3

(1) 1 = HIGH, 0 = LOW, FLOAT = 3rd input state. FLOAT condition; Do not drive pin; pin is internally biased to mid level with 50 kΩ pull-up/pull-down. Internal pulled-down = Internal 30 kΩ pull-down resistor to GND is present on the input. Input edge rate for LVCMOS/FLOAT inputs must be faster than 50 ns from 10–90%.

Table 1. Pin Descriptions (continued)

Pin Name	Pin Number	I/O, Type ⁽¹⁾	Pin Description
TXIDLEDO	24	I, Float, LVCMOS	TXIDLEDO, 3-level input controls the driver output. TXIDLEDO = 0 disables the signal detect/squelch function for DOUT. TXIDLEDO = 1 forces the DOUT to be muted (electrical idle). TXIDLEDO = Float enables the signal auto detect/squelch function for DOUT and the signal detect voltage threshold level can be adjusted using the SD_TH pin. See Table 4
TXIDLESO	25	I, Float, LVCMOS	TXIDLESO, 3-level input controls the driver output. TXIDLESO = 0 disables the signal detect/squelch function for SOUT. TXIDLESO = 1 forces the SOUT to be muted (electrical idle). TXIDLESO = Float enables the signal auto detect/squelch function for SOUT and the signal detect voltage threshold level can be adjusted using the SD_TH pin. See Table 4
FANOUT	26	I, LVCMOS w/ internal pull-down	FANOUT = 1 enables both A/B outputs for broadcast mode. FANOUT = 0 disables one of the outputs depending on the SEL0, SEL1 pin. See Table 6
SEL0, SEL1	19, 20	I, LVCMOS w/ internal pull-down	SEL0 is for lane 0, SEL1 is for lane 1 SEL0, SEL1 = 0 selects B input and B output. SEL0, SEL1 = 1 selects A input and A output. See Table 6
VOD0, VOD1	22, 23	I, LVCMOS w/ internal pull-down	VOD[1:0] adjusts the output differential amplitude voltage level on all outputs. 00 set output VOD = 600 mVp-p (Default) 01 sets output VOD = 800 mVp-p 10 sets output VOD = 1000 mVp-p 11 sets output VOD = 1200 mVp-p Note: VOD should be set to a minimum of 1000 mV to achieve stated DE levels.
Analog			
SD_TH	27	I, ANALOG	Threshold select pin for electrical idle detect threshold. Float pin for default 130 mVp-p (differential). See Table 5
Power			
VDD	9, 14, 36, 41, 51	Power	2.5V Power supply pins.
GND	DAP, 52	Power	DAP is the large metal contact at the bottom side, located at the center of the 54 pin WQFN package. It should be connected to the GND plane with at least 4 via to lower the ground impedance and improve the thermal performance of the package. NOTE: DAP is the primary GND
NC	1, 2, 5, 6, 12, 13, 17, 18		No Connect — Leave pin open



These devices have limited built-in ESD protection. The leads should be shorted together or the device placed in conductive foam during storage or handling to prevent electrostatic damage to the MOS gates.

Absolute Maximum Ratings ⁽¹⁾⁽²⁾

Supply Voltage (VDD)		-0.5V to +3.0V
LVC MOS Input/Output Voltage		-0.5V to +4.0V
Differential Input Voltage		-0.5V to (VDD+0.5V)
Differential Output Voltage		-0.5V to (VDD+0.5V)
Analog (SD_TH)		-0.5V to (VDD+0.5V)
Junction Temperature		+125°C
Storage Temperature		-40°C to +125°C
Maximum Package Power Dissipation at 25°C	NJY Package	4.21 W
Derate NJY Package		52.6mW/°C above +25°C
ESD Rating	HBM, STD - JESD22-A114C	≥6 kV
	MM, STD - JESD22-A115-A	≥250 V
	CDM, STD - JESD22-C101-C	≥1250 V
Thermal Resistance	θ_{JC}	11.5°C/W
	θ_{JA} , No Airflow, 4 layer JEDEC	19.1°C/W
For soldering specifications:		
See product folder at http://www.ti.com/lit/SNOA549		

- (1) "Absolute Maximum Ratings" indicate limits beyond which damage to the device may occur, including inoperability and degradation of device reliability and/or performance. Functional operation of the device and/or non-degradation at the Absolute Maximum Ratings or other conditions beyond those indicated in the Recommended Operating Conditions is not implied. The Recommended Operating Conditions indicate conditions at which the device is functional and the device should not be operated beyond such conditions. Absolute Maximum Numbers are ensured for a junction temperature range of -40°C to +125°C. Models are validated to Maximum Operating Voltages only.
- (2) **If Military/Aerospace specified devices are required, please contact the Texas Instruments Sales Office / Distributors for availability and specifications.**

Recommended Operating Conditions

	Min	Typ	Max	Units
Supply Voltage				
VDD to GND	2.375	2.5	2.625	V
Ambient Temperature ⁽¹⁾	-40	25	+85	°C
SMBus (SDA, SCL)	0		3.6	V
CML Differential Input Voltage	0		2.0	V _{p-p}
Supply Noise Tolerance up to 50 MHz ⁽²⁾		100		mV _{p-p}

- (1) OOB signal pass-through limited to a minimum ambient temperature of -10C
- (2) Allowed supply noise (mV_{p-p} sine wave) under typical conditions.

Electrical Characteristics

Over recommended operating supply and temperature ranges with default register settings unless other specified.⁽¹⁾

Symbol	Parameter	Conditions	Min	Typ	Max	Units
POWER						
PD	Power Dissipation 2.5V Operation	EQx = 0, DEMx = 0 dB, K28.5 pattern, VOD = 1.0 V p-p		850	950	mW
		Channel powerdown ⁽²⁾			11	mW
LVC MOS / LVTTTL DC SPECIFICATIONS						
V _{IH}	High Level Input Voltage		2.0		3.6	V
V _{IL}	Low Level Input Voltage		0		0.8	V
I _{IH}	Input High Current	V _{IN} = 3.3V	-15		+15	μA

- (1) The Electrical Characteristics tables list ensured specifications under the listed Recommended Operating Conditions except as otherwise modified or specified by the Electrical Characteristics Conditions and/or Notes. Typical specifications are estimations only and are not ensured.
- (2) Measured with ENSMB = 1, all channels disabled using SMBus registers 0x01 and 0x02, and EQ in bypass (Default)

Electrical Characteristics (continued)

Over recommended operating supply and temperature ranges with default register settings unless other specified.⁽¹⁾

Symbol	Parameter	Conditions	Min	Typ	Max	Units
I_{IL}	Input Low Current	$V_{IN} = 0V$	-15		+15	μA
CML RECEIVER INPUTS (IN_{n+}, IN_{n-})						
$RL_{RX-DIFF}$	Rx Differential Return Loss (SDD11) ⁽³⁾	150 MHz – 1.5 GHz		-20		dB
		150 MHz – 3.0 GHz		-13.5		
		150 MHz – 6.0 GHz		-8		
RL_{RX-CM}	Rx Common Mode Input Return Loss (SCC11)	150 MHz – 3.0 GHz See ⁽³⁾		-10		dB
R_{RX-IB}	Rx Impedance Balance (SDC11)	150 MHz – 3.0 GHz See ⁽³⁾		-27		dB
I_{IN}	Maximum current allowed at IN+ or IN- input pin.		-30		+30	mA
R_{IN}	Input Resistance	Single ended to V_{DD} See ⁽³⁾		50		Ω
R_{ITD}	Input Differential Impedance between IN+ and IN-	See ⁽³⁾	85	100	115	Ω
R_{ITIB}	Input Differential Impedance Imbalance	See ⁽³⁾			5	Ω
R_{ICM}	Input Common Mode Impedance	See ⁽⁴⁾	20	25	40	Ω
$V_{RX-DIFF}$	Differential Rx peak to peak voltage	DC voltage, SD_TH = 20 k Ω to GND	0.1		1.2	V
V_{RX-SD_TH}	Electrical Idle detect threshold (differential)	SD_TH = Float See ⁽⁵⁾ and Figure 7	40		175	mV _{p-p}
DIFFERENTIAL OUTPUTS (OUT_{n+}, OUT_{n-})						
V_{OD}	Output Differential Voltage Swing with de-emphasis disabled	$R_L = 50 \Omega \pm 1\%$ to GND (AC coupled with 10 nF), 6.4 Gbps DEMA = DEMB = 0 dB, VOD1-0 = 00 See ⁽⁶⁾	500	600	700	mV _{p-p}
		VOD1-0 = 11	1100	1265	1450	mV _{p-p}
V_{OCM}	Output Common-Mode Voltage	Single-ended measurement DC-Coupled with 50 Ω termination See ⁽⁴⁾		$V_{DD} - 1.4$		V
T_{TX-RF}	Transmitter Rise/ Fall Time	20% to 80% of differential output voltage, measured within 1" from output pins See ⁽⁴⁾ , ⁽⁶⁾ , and Figure 3		65	85	ps
$T_{RF-DELTA}$	Tx rise/fall mismatch	20% to 80% of differential output voltage See ⁽⁴⁾ and ⁽⁶⁾			0.1	UI
$RL_{TX-DIFF}$	Tx Differential Return Loss (SDD22) See ⁽⁴⁾	Repeating 1100b (D24.3) pattern, VOD = 1.0 V _{p-p} , 150 MHz – 1.5 GHz		-11		dB
		1.5 GHz – 3.0 GHz		-10		
		3 GHz – 6.0 GHz		-5		
RL_{TX-CM}	Tx Common Mode Return Loss (SCC22)	Repeating 1100b (D24.3) pattern, VOD = 1.0 V _{p-p} , 50 MHz – 3.0 GHz See ⁽⁴⁾		-10		dB

(3) Typical values represent most likely parametric norms at $V_{DD} = 2.5V$, $T_A = 25^\circ C$., and at the Recommended Operation Conditions at the time of product characterization and are not ensured.

(4) Typical values represent most likely parametric norms at $V_{DD} = 2.5V$, $T_A = 25^\circ C$., and at the Recommended Operation Conditions at the time of product characterization and are not ensured.

(5) Measured at package pins of receiver. Less than 65 mV_{p-p} is IDLE, greater than 175 mV_{p-p} is ACTIVE. SD_TH pin connected with resistor to GND overrides this default setting.

(6) Measured with clock-like {11111 00000} pattern.

Electrical Characteristics (continued)

Over recommended operating supply and temperature ranges with default register settings unless other specified.⁽¹⁾

Symbol	Parameter	Conditions	Min	Typ	Max	Units
R _{TX-IB}	Tx Impedance Balance (SDC22)	Repeating 1100b (D24.3) pattern, VOD = 1.0 Vp-p, 50 MHz – 3.0 GHz See ⁽⁴⁾		-30		dB
I _{TX-SHORT}	Tx Output Short Circuit Current Limit				90	mA
R _{OTD}	Output Differential Impedance between OUT+ and OUT-	See ⁽⁴⁾	85	100	125	Ω
R _{OTIB}	Output Differential Impedance Imbalance	See ⁽⁴⁾			5	Ω
R _{OCM}	Output Common Mode Impedance	See ⁽⁴⁾	20	25	35	Ω
V _{TX-CM-DELTA}	Common Mode Voltage Delta between active burst and electrical Idle of an OOB signal	Minimum Temperature for OOB signal pass-through is -10C. VIN = 800 mVp-p, at 3 Gbps, See ⁽⁷⁾			±40	mV
T _{DI}	Max time to transition to valid electrical idle after leaving active burst in OOB signaling	Minimum Temperature for OOB signal pass-through is -10C. VIN = 800 mVp-p, at 3 Gbps, See Figure 5		6.5	9.5	ns
T _{ID}	Max time to transition to valid active burst after leaving idle in OOB signaling	Minimum Temperature for OOB signal pass-through is -10C. VIN = 800 mVp-p, at 3 Gbps, See Figure 5		5.5	8.0	ns
T _{PD}	Differential Propagation Delay (Low to High and High to Low Edge)	Propagation delay measure at midpoint crossing between input to output EQx[1:0] = 11, DEMx[1:0] = -6 dB See Figure 4	150	200	250	ps
		EQz[1:0] = OFF, DEMx[1:0] = 0 dB	120	170	220	ps
T _{LSK}	Lane to Lane Skew in a Single Part	V _{DD} = 2.5V, T _A = 25C			27	ps
T _{PPSK}	Part to Part Propagation Delay Skew	V _{DD} = 2.5V, T _A = 25C			35	ps
T _{SM}	Switch/Mux Time	Time to switch/mux between A and B input/output signals			150	ns
EQUALIZATION						
DJ1	Residual Deterministic Jitter at 6.4 Gbps	Tx Launch Amplitude = 0.8 to 1.2 Vp-p, 40" 4-mil FR4 trace, ENSMB = 1, EQ setting = 0x3B, DEMx[1:0] = 0dB, VOD = 1.0 Vp-p, K28.5, SD_TH = float See ⁽⁸⁾		0.12	0.25	UI _{p-p}
DJ2	Residual Deterministic Jitter at 3.2 Gbps	Tx Launch Amplitude = 0.8 to 1.2 Vp-p, 40" 4-mil FR4 trace, EQ setting = 0x3C, DEMx[1:0] = 0dB, VOD = 1.0 Vp-p, K28.5, SD_TH = float See ⁽⁸⁾		0.05	0.125	UI _{p-p}
RJ	Random Jitter	Tx Launch Amplitude = 0.8 to 1.2 Vp-p, Repeating 1100b (D24.3) pattern		0.5		psrms
DE-EMPHASIS						
DJ3	Residual Deterministic Jitter at 6.4 Gbps	Tx Launch Amplitude = 0.8 to 1.2 Vp-p, 10" 4-mil FR4 trace, EQx = off, DEMx = -6 dB, VOD = 1.0 Vp-p, K28.5, RATE = 1 See ⁽⁸⁾		0.09	0.20	UI _{p-p}

(7) Common-mode voltage (VCM) is expressed mathematically as the average of the two signal voltages with respect to local ground. VCM = (A + B) / 2, A = OUT+, B = OUT-.

(8) Typical values represent most likely parametric norms at V_{DD} = 2.5V, T_A = 25°C., and at the Recommended Operation Conditions at the time of product characterization and are not ensured.

Electrical Characteristics (continued)

Over recommended operating supply and temperature ranges with default register settings unless other specified.⁽¹⁾

Symbol	Parameter	Conditions	Min	Typ	Max	Units
DJ4	Residual Deterministic Jitter at 3.2 Gbps	Tx Launch Amplitude = 0.8 to 1.2 V _{p-p} , 20" 4-mil FR4 trace, EQx = off, DEMx = -6 dB, VOD = 1.0 V _{p-p} , K28.5, RATE = 0 See ⁽⁸⁾		0.07	0.18	UI _{p-p}

Electrical Characteristics — Serial Management Bus Interface

Over recommended operating supply and temperature ranges unless other specified.

Symbol	Parameter	Conditions	Min	Typ	Max	Units
SERIAL BUS INTERFACE DC SPECIFICATIONS						
V _{IL}	Data, Clock Input Low Voltage				0.8	V
V _{IH}	Data, Clock Input High Voltage		2.1		3.6	V
I _{PULLUP}	Current Through Pull-Up Resistor or Current Source	High Power Specification	4			mA
V _{DD}	Nominal Bus Voltage		2.375		3.6	V
I _{LEAK-Bus}	Input Leakage Per Bus Segment	See ⁽¹⁾	-200		+200	μA
I _{LEAK-Pin}	Input Leakage Per Device Pin			-15		μA
C ₁	Capacitance for SDA and SDC	See ⁽¹⁾ and ⁽²⁾			10	pF
R _{TERM}	External Termination Resistance pull to V _{DD} = 2.5V ± 5% OR 3.3V ± 10%	V _{DD3,3} , See ⁽¹⁾ , ⁽²⁾ , and ⁽³⁾ V _{DD2,5} , ⁽¹⁾ , ⁽²⁾ , and ⁽³⁾		2000		Ω
				1000		Ω
SERIAL BUS INTERFACE TIMING SPECIFICATIONS. See Figure 6						
FSMB	Bus Operating Frequency	See ⁽⁴⁾	10		100	kHz
TBUF	Bus Free Time Between Stop and Start Condition		4.7			μs
THD:STA	Hold time after (Repeated) Start Condition. After this period, the first clock is generated.	At I _{PULLUP} , Max	4.0			μs
TSU:STA	Repeated Start Condition Setup Time		4.7			μs
TSU:STO	Stop Condition Setup Time		4.0			μs
THD:DAT	Data Hold Time		300			ns
TSU:DAT	Data Setup Time		250			ns
T _{TIMEOUT}	Detect Clock Low Timeout	See ⁽⁴⁾	25		35	ms
T _{LOW}	Clock Low Period		4.7			μs
T _{HIGH}	Clock High Period	See ⁽⁴⁾	4.0		50	μs
T _{LOW:SEXT}	Cumulative Clock Low Extend Time (Slave Device)	See ⁽⁴⁾			2	ms
t _F	Clock/Data Fall Time	See ⁽⁴⁾			300	ns
t _R	Clock/Data Rise Time	See ⁽⁴⁾			1000	ns
t _{POR}	Time in which a device must be operational after power-on reset	See ⁽⁴⁾			500	ms

(1) Recommended value. Parameter not tested in production.

(2) Recommended maximum capacitance load per bus segment is 400pF.

(3) Maximum termination voltage should be identical to the device supply voltage.

(4) Compliant to SMBus 2.0 physical layer specification. See System Management Bus (SMBus) Specification Version 2.0, section 3.1.1 SMBus common AC specifications for details.

Timing Diagrams

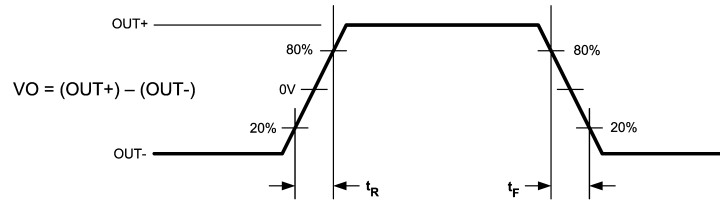


Figure 3. LPDS Output Transition Times

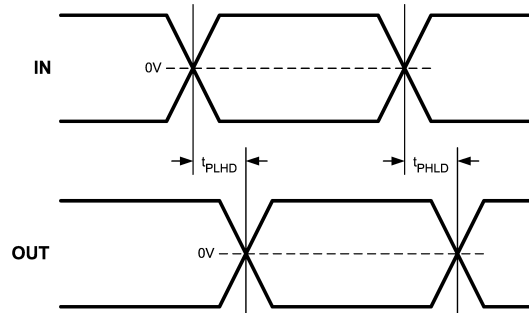


Figure 4. Propagation Delay Timing Diagram

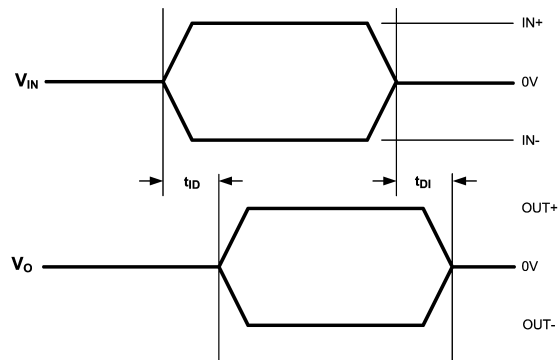


Figure 5. Idle Timing Diagram

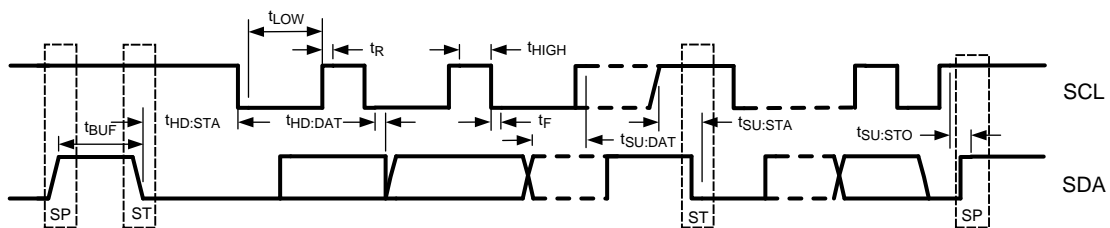


Figure 6. SMBus Timing Parameters

Functional Description

The DS64MB201 is a 2-lane signal conditioning 2:1 multiplexer and 1:2 switch or fan-out buffer optimized for PCB FR4 trace and cable interconnects up to 6 Gbps data rate. The DS64MB201 operates in two modes: Pin Control Mode (ENSMB = 0) and SMBus Mode (ENSMB = 1).

Pin Control Mode:

When in pin mode (ENSMB = 0), the transceiver is configurable with external pins. Equalization and de-emphasis can be selected via pin for each side independently. When de-emphasis is asserted VOD is automatically increased per the De-Emphasis table below for improved performance over lossy media. Rate optimization is also pin controllable, with pin selections for 3 Gbps, 6 Gbps, and auto detect. The receiver electrical idle detect threshold is also programmable via an optional external resistor on the SD_TH pin.

SMBUS Mode:

When in SMBus mode the VOD amplitude level, equalization and de-emphasis are all programmable on a individual lane basis, instead of grouped by sides as in the pin mode case. Upon assertion of ENSMB pins EQx and DEMx functions revert to register control immediately. The EQx and DEMx pins are converted to AD0-AD3 SMBus address pins. The other external control pins remain active unless their respective registers are written to, in which case they are ignored until ENSMB is driven low. On power-up and when ENSMB is driven low all registers are reset to their default state.

Table 2. Equalization Input Select Pins for SIA, SIB and DIN (3-Level Input)

EQA, EQB, EQD ⁽¹⁾	Equalization Level
0	9 dB at 3 GHz
Float (No Connect)	13.5 dB at 3 GHz
1	18.4 dB at 3 GHz

(1) F = Float (No Connect), 1 = High and 0 = Low.

Table 3. De-Emphasis Input Select Pins for SOA, SOB and DOUT (3-Level Input)

RATE ⁽¹⁾	DEMA, DEMB, DEMD	De-Emphasis Level (typ)	DE Pulse Width (typ)	VOD (typ)
0/F	0	-3.5 dB	330 ps	VOD = 1000 mVp-p
		-2 dB	330 ps	VOD = 1200 mVp-p
0/F	1	-6 dB	330 ps	VOD = 1000 mVp-p
		-3 dB	330 ps	VOD = 1200 mVp-p
1/F	0	-3.5 dB	200 ps	VOD = 1000 mVp-p
		-2 dB	200 ps	VOD = 1200 mVp-p
1/F	1	-6 dB	200 ps	VOD = 1000 mVp-p
		-3 dB	200 ps	VOD = 1200 mVp-p
0/F	F	-9 dB	250 ps enhanced	VOD = 1200 mVp-p
1/F	F	-12 dB	160 ps enhanced	VOD = 1200 mVp-p

(1) F = Float (No Connect), 1 = High and 0 = Low. Enhanced DE pulse width provides de-emphasis on second bit. When RATE = F (auto rate detection active), the DE level and pulse width settings follow detected rate. RATE = 0 is 3 Gbps and RATE = 1 is 6 Gbps. De-emphasis should only be used with VOD = 1000 mVp-p or 1200 mVp-p. VOD less than 1000 mVp-p is not recommended with de-emphasis. Please refer to VOD1 and VOD0 pin description to set the output differential voltage level.

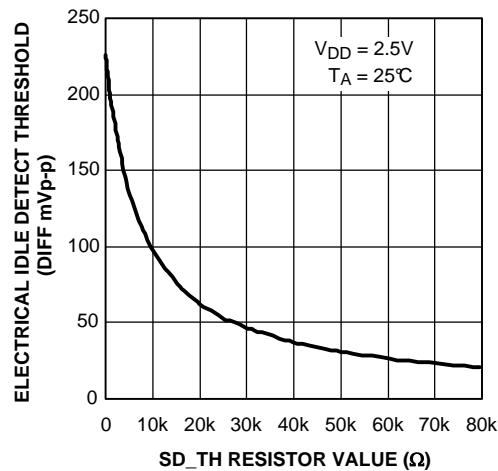
Table 4. Idle Control (3–Level Input)

TXIDLEDO/SO	Function
0	This state is for lossy media, dedicated Idle threshold detect circuit disabled, output follows input based on EQ settings. Idle state not ensured.
Float	Float enables automatic idle detection. Idle on the input is passed to the output. Internal 50K Ω resistors hold TXIDLEDO/SO pin at a mid level - don't connect this pin if the automatic idle detect function is desired. This is the default state. Output in Idle if differential input signal less than value set by SD_TH pin.
1	Manual override, output in electrical Idle. Differential inputs are ignored.

Table 5. Receiver Electrical Idle Detect Threshold Adjust

SD_TH resistor value (Ω) ⁽¹⁾	Receiver Electrical Idle Detect Threshold (DIFF p-p)
Float (no resistor required)	130 mV (default condition)
0	225 mV
80k	20 mV

(1) SD_TH resistor value can be set from 0 through 80k ohms to achieve desired idle detect threshold, see [Figure 7](#)

**Figure 7. Typical Idle Threshold vs. SD_TH resistor value**

Device Connection Paths

The lanes of the DS64MB201 can be configured either as a 2:1 multiplexer, 1:2 switch or fan-out buffer. The controller side is muxed to the disk drive side. The below table shows the logic for the multiplexer and switch functions.

Table 6. Logic Table of Switch and Mux Control

FANOUT	SEL0	SEL1	Function — connection path
0	0	0	DOUT0 connects to SIB0. DOUT1 connects to SIB1. DIN0 connects to SOB0. SOA0 is in idle (output muted). DIN1 connects to SOB1. SOA1 is in idle (output muted).
0	0	1	DOUT0 connects to SIB0. DOUT1 connects to SIA1. DIN0 connects to SOB0. SOA0 is in idle (output muted). DIN1 connects to SOA1. SOB1 is in idle (output muted).
0	1	0	DOUT0 connects to SIA0. DOUT1 connects to SIB1. DIN0 connects to SOA0. SOB0 is in idle (output muted). DIN1 connects to SOB1. SOA1 is in idle (output muted).
0	1	1	DOUT0 connects to SIA0. DOUT1 connects to SIA1. DIN0 connects to SOA0. SOB0 is in idle (output muted). DIN1 connects to SOA1. SOB1 is in idle (output muted).
1	0	0	DOUT0 connects to SIB0. DOUT1 connects to SIB1. DIN0 connects to SOB0 and SOA0. DIN1 connects to SOB1 and SOA1.
1	0	1	DOUT0 connects to SIB0. DOUT1 connects to SIA1. DIN0 connects to SOB0 and SOA0. DIN1 connects to SOA1 and SOB1.
1	1	0	DOUT0 connects to SIA0. DOUT1 connects to SIB1. DIN0 connects to SOA0 and SOB0. DIN1 connects to SOB1 and SOA1.
1	1	1	DOUT0 connects to SIA0. DOUT1 connects to SIA1. DIN0 connects to SOA0 and SOB0. DIN1 connects to SOA1 and SOB1.

System Management Bus (SMBus) and Configuration Registers

The System Management Bus interface is compatible to SMBus 2.0 physical layer specification. ENSMB must be pulled high to enable SMBus mode and allow access to the configuration registers.

The DS64MB201 has the AD[3:0] inputs in SMBus mode. These pins set the SMBus slave address inputs. The AD[3:0] pins have internal pull-down. When left floating or pulled low the AD[3:0] = 0000'b, the device default address byte is A0'h. Based on the SMBus 2.0 specification, the DS64MB201 has a 7-bit slave address of 1010000'b. The LSB is set to 0'b (for a WRITE), thus the 8-bit value is 1010 **0000**'b or A0'h. The bold bits indicate the AD[3:0] pin map to the slave address bits [4:1]. The device address byte can be set with the use of the AD[3:0] inputs. Below are some examples.

AD[3:0] = 0001'b, the device address byte is A2'h

AD[3:0] = 0010'b, the device address byte is A4'h

AD[3:0] = 0100'b, the device address byte is A8'h

AD[3:0] = 1000'b, the device address byte is B0'h

The SDC and SDA pins are 3.3V LVCMOS signaling and include high-Z internal pull up resistors. External low impedance pull up resistors maybe required depending upon SMBus loading and speed. Note, these pins are not 5V tolerant.

Transfer of Data via the SMBus

During normal operation the data on SDA must be stable during the time when SDC is High.

There are three unique states for the SMBus:

START: A High-to-Low transition on SDA while SDC is High indicates a message START condition.

STOP: A Low-to-High transition on SDA while SDC is High indicates a message STOP condition.

IDLE: If SDC and SDA are both High for a time exceeding t_{BUF} from the last detected STOP condition or if they are High for a total exceeding the maximum specification for t_{HIGH} then the bus will transfer to the IDLE state.

SMBus Transactions

The device supports WRITE and READ transactions. See [Table 8](#) for register address, type (Read/Write, Read Only), default value and function information.

When SMBus is enabled, all outputs of the DS64MB201 **must use one of the following De-emphasis settings** ([Table 7](#)). The driver de-emphasis value is set on a per lane basis using 6 different registers. Each register (0x18, 0x26, 0x2E, 0x35, 0x3C, 0x43) requires one of the following De-emphasis settings when in SMBus mode. The VOD for each output should be set via register write or pin control to be a minimum of 1000 mV.

Table 7. De-Emphasis Register Settings (must write one of the following when in SMBus mode)

De-Emphasis Value	Register Setting	3 Gbps Operation	6 Gbps Operation
0.0 dB	0x01	10" trace or 1 meter 28 awg cable	5" trace or 0.5 meter 28 awg cable
-3.5 dB	0xE8	20" trace or 2 meters 28 awg cable	10" trace or 1 meters 28 awg cable
-6 dB	0x88	25" trace or 3 meters cable	20" trace or 2 meters cable
-9 dB	0x90	5 meters 28 awg cable	3 meters 28 awg cable
-12 dB	0xA0	8 meters 28 awg cable	5 meters 28 awg cable

Writing a Register

To write a register, the following protocol is used (see SMBus 2.0 specification).

1. The Host drives a START condition, the 7-bit SMBus address, and a "0" indicating a WRITE.
2. The Device (Slave) drives the ACK bit ("0").
3. The Host drives the 8-bit Register Address.
4. The Device drives an ACK bit ("0").
5. The Host drive the 8-bit data byte.

6. The Device drives an ACK bit (“0”).
7. The Host drives a STOP condition.

The WRITE transaction is completed, the bus goes IDLE and communication with other SMBus devices may now occur.

Reading a Register

To read a register, the following protocol is used (see SMBus 2.0 specification).

1. The Host drives a START condition, the 7-bit SMBus address, and a “0” indicating a WRITE.
2. The Device (Slave) drives the ACK bit (“0”).
3. The Host drives the 8-bit Register Address.
4. The Device drives an ACK bit (“0”).
5. The Host drives a START condition.
6. The Host drives the 7-bit SMBus Address, and a “1” indicating a READ.
7. The Device drives an ACK bit “0”.
8. The Device drives the 8-bit data value (register contents).
9. The Host drives a NACK bit “1” indicating end of the READ transfer.
10. The Host drives a STOP condition.

The READ transaction is completed, the bus goes IDLE and communication with other SMBus devices may now occur.

Recommended SMBus Register Settings

When SMBus mode is enabled (ENSMB = 1), the default register settings are not configured to an appropriate level. Below is the recommended settings to configure the EQ, VOD and DE to a medium level that supports interconnect length of 20 inches FR4 trace or 3 to 5 meters of cable length. Please refer to [Table 2](#), [Table 3](#), [Table 7](#), [Table 8](#) for additional information and recommended settings.

1. Reset the SMBus registers to default values:
 - **Write 01'h to 0x00.**
2. Set de-emphasis to -6 dB for all lanes:
 - **Write 88'h to 0x18, 0x26, 0x2E, 0x35, 0x3C, 0x43.**
3. Set equalization to external pin level EQ[1:0] = 00 (~9 dB at 3 GHz) for all lanes:
 - **Write 30'h to 0x0F, 0x16, 0x1D, 0x24, 0x2C, 0x3A.**
4. Set VOD = 1.0 Vp-p for all lanes:
 - **Write 0F'h to 0x17, 0x25, 0x2D, 0x34, 0x3B, 0x42.**

Table 8. SMBus Register Map

Address	Register Name	Bit (s)	Field	Type	Default	Description
0x00	Reset	7:1	Reserved	R/W	0x00	Set bits to 0.
		0	Reset			SMBus Reset 1: Reset registers to default value
0x01	PWDN lanes	7:0	PWDN CHx	R/W	0x00	Power Down per lane [7]: NC — SOB1 [6]: DIN1 — SOA1 [5]: NC — SOB0 [4]: DIN0 — SOA0 [3]: SIB1 — DOUT1 [2]: SIA1 — NC [1]: SIB0 — DOUT0 [0]: SIA0 — NC 00'h = all lanes enabled FF'h = all lanes disabled

Table 8. SMBus Register Map (continued)

0x02	PWDN Control	7:1	Reserved	R/W	0x00	Set bits to 0.
		0	PWDN Control			0: Normal operation 1: Enable PWDN control in Register 0x01
0x03	SEL / FANOUT Control	7:3	Reserved	R/W	0x00	Set bits to 0.
		2	SEL1			0: Selects SIB1 input and SOB1 output 1: Selects SIA1 input and SOA1 output
		1	SEL0			0: Selects SIB0 input and SOB0 output 1: Selects SIA0 input and SOA0 output
		0	FANOUT			0: Enable only A or B output depends on SEL1 and SEL0 (See Table 6) 1: Enable both SOAn and SOBn output
0x08	Pin Control Override	7:5	Reserved	R/W	0x00	Set bits to 0.
		4	Override IDLE			0: Allow IDLE pin control 1: Block IDLE pin control
		3	Reserved			Set bit to 0.
		2	Override RATE			0: Allow RATE pin control 1: Block RATE pin control
		1	Override SEL			0: Allow SEL pin control 1: Block SEL pin control
		0	Override FANOUT			0: Allow FANOUT pin control 1: Block FANOUT pin control
0x0F	SIA0 EQ Control	7:6	Reserved	R/W	0x20	Set bits to 0.
		5:0	SIA0 EQ			SIA0 EQ Control - total of 24 levels (3 gain stages with 8 settings) [5]: Enable EQ [4:3]: Gain Stage Control [2:0]: Boost Level Control Register [EN] [GST] [BST] = Hex Value 100000 = 20'h = Bypass (Default) 101010 = 2A'h = 5 dB at 3 GHz 110000 = 30'h = 9 dB at 3 GHz 110010 = 32'h = 11.7 dB at 3 GHz 111001 = 39'h = 14.6 dB at 3 GHz 110101 = 35'h = 18.4 dB at 3 GHz 110111 = 37'h = 20 dB at 3 GHz 111011 = 3B'h = 21.2 dB at 3 GHz 111101 = 3D'h = 28.4 dB at 3 GHz
0x12	SIA0 IDLE Threshold	7:4	Reserved	R/W	0x00	Set bits to 0.
		3:0	IDLE threshold			De-assert = [3:2], assert = [1:0] 00 = 110 mV, 70 mV (Default) 01 = 150 mV, 110 mV 10 = 170 mV, 130 mV 11 = 190 mV, 150 mV
0x15	DOUT0 IDLE RATE Select	7:6	Reserved	R/W	0x00	Set bits to 0.
		5	IDLE auto			0: Allow IDLE_sel control in Bit 4 1: Automatic IDLE detect
		4	IDLE select			0: Output is ON (SD is disabled) 1: Output is muted (electrical idle)
		3:2	Reserved			Set bits to 0.
		1	RATE auto			0: Allow RATE_sel control in Bit 0 1: Automatic RATE detect
		0	RATE select			0: 2.5 to 3.2 Gbps 1: 5.0 to 6.4 Gbps

Table 8. SMBus Register Map (continued)

0x16	SIB0 EQ Control	7:6	Reserved	R/W	0x20	Set bits to 0.
		5:0	SIB0 EQ			SIB0 Control - total of 24 levels (3 gain stages with 8 settings) [5]: Enable EQ [4:3]: Gain Stage Control [2:0]: Boost Level Control Register [EN] [GST] [BST] = Hex Value 100000 = 20'h = Bypass (Default) 101010 = 2A'h = 5 dB at 3 GHz 110000 = 30'h = 9 dB at 3 GHz 110010 = 32'h = 11.7 dB at 3 GHz 111001 = 39'h = 14.6 dB at 3 GHz 110101 = 35'h = 18.4 dB at 3 GHz 110111 = 37'h = 20 dB at 3 GHz 111011 = 3B'h = 21.2 dB at 3 GHz 111101 = 3D'h = 28.4 dB at 3 GHz
0x17	DOUT0 VOD Control	7	Reserved	R/W	0x03	Set bit to 0.
		6:0	DOUT0 VOD			DOUT0 VOD Control 03'h = 600 mV (Default) 07'h = 800 mV 0F'h = 1000 mV 1F'h = 1200 mV 3F'h = Reserved
0x18	DOUT0 DE Control	7:0	DOUT0 DEM	R/W	0x03	DOUT0 DEM Control [7]: DEM TYPE (Compatibility = 0 / Enhanced = 1) [6:0]: DEM Level Control Register [TYPE] [Level Control] = Hex Value 00000001 = 01'h = 0.0 dB 00111000 = E8'h = -3.5 dB 10001000 = 88'h = -6.0 dB 10010000 = 90'h = -9.0 dB 10100000 = A0'h = -12.0 dB
0x19	SIB0 IDLE Threshold	7:4	Reserved	R/W	0x00	Set bits to 0.
		3:0	IDLE threshold			De-assert = [3:2], assert = [1:0] 00 = 110 mV, 70 mV (Default) 01 = 150 mV, 110 mV 10 = 170 mV, 130 mV 11 = 190 mV, 150 mV
0x1D	SIA1 EQ Control	7:6	Reserved	R/W	0x20	Set bits to 0.
		5:0	SIA1 EQ			SIA1 EQ Control - total of 24 levels (3 gain stages with 8 settings) [5]: Enable EQ [4:3]: Gain Stage Control [2:0]: Boost Level Control Register [EN] [GST] [BST] = Hex Value 100000 = 20'h = Bypass (Default) 101010 = 2A'h = 5 dB at 3 GHz 110000 = 30'h = 9 dB at 3 GHz 110010 = 32'h = 11.7 dB at 3 GHz 111001 = 39'h = 14.6 dB at 3 GHz 110101 = 35'h = 18.4 dB at 3 GHz 110111 = 37'h = 20 dB at 3 GHz 111011 = 3B'h = 21.2 dB at 3 GHz 111101 = 3D'h = 28.4 dB at 3 GHz
0x20	SIA1 IDLE Threshold	7:4	Reserved	R/W	0x00	Set bits to 0.
		3:0	IDLE threshold			De-assert = [3:2], assert = [1:0] 00 = 110 mV, 70 mV (Default) 01 = 150 mV, 110 mV 10 = 170 mV, 130 mV 11 = 190 mV, 150 mV

Table 8. SMBus Register Map (continued)

0x23	DOUT1 IDLE RATE Select	7:6	Reserved	R/W	0x00	Set bits to 0.
		5	IDLE auto			0: Allow IDLE_sel control in Bit 4 1: Automatic IDLE detect
		4	IDLE select			0: Output is ON (SD is disabled) 1: Output is muted (electrical idle)
		3:2	Reserved			Set bits to 0.
		1	RATE auto			0: Allow RATE_sel control in Bit 0 1: Automatic RATE detect
		0	RATE select			0: 2.5 to 3.2 Gbps 1: 5.0 to 6.4 Gbps
0x24	SIB1 EQ Control	7:6	Reserved	R/W	0x20	Set bits to 0.
		5:0	SIB1 EQ			SIB1 EQ Control - total of 24 levels (3 gain stages with 8 settings) [5]: Enable EQ [4:3]: Gain Stage Control [2:0]: Boost Level Control Register [EN] [GST] [BST] = Hex Value 100000 = 20'h = Bypass (Default) 101010 = 2A'h = 5 dB at 3 GHz 110000 = 30'h = 9 dB at 3 GHz 110010 = 32'h = 11.7 dB at 3 GHz 111001 = 39'h = 14.6 dB at 3 GHz 110101 = 35'h = 18.4 dB at 3 GHz 110111 = 37'h = 20 dB at 3 GHz 111011 = 3B'h = 21.2 dB at 3 GHz 111101 = 3D'h = 28.4 dB at 3 GHz
0x25	DOUT1 VOD Control	7	Reserved	R/W	0x03	Set bit to 0.
		6:0	DOUT1 VOD			DOUT1 VOD Control 03'h = 600 mV (Default) 07'h = 800 mV 0F'h = 1000 mV 1F'h = 1200 mV 3F'h = Reserved
0x26	DOUT1 DE Control	7:0	DOUT1 DEM	R/W	0x03	DOUT1 DEM Control [7]: DEM TYPE (Compatibility = 0 / Enhanced = 1) [6:0]: DEM Level Control Register [TYPE] [Level Control] = Hex Value 00000001 = 01'h = 0.0 dB 00111000 = E8'h = -3.5 dB 10001000 = 88'h = -6.0 dB 10010000 = 90'h = -9.0 dB 10100000 = A0'h = -12.0 dB
0x27	SIB1 IDLE Threshold	7:4	Reserved	R/W	0x00	Set bits to 0.
		3:0	IDLE threshold			De-assert = [3:2], assert = [1:0] 00 = 110 mV, 70 mV (Default) 01 = 150 mV, 110 mV 10 = 170 mV, 130 mV 11 = 190 mV, 150 mV
0x2B	SOA0 IDLE RATE Select	7:6	Reserved	R/W	0x00	Set bits to 0.
		5	IDLE auto			0: Allow IDLE_sel control in Bit 4 1: Automatic IDLE detect
		4	IDLE select			0: Output is ON (SD is disabled) 1: Output is muted (electrical idle)
		3:2	Reserved			Set bits to 0.
		1	RATE auto			0: Allow RATE_sel control in Bit 0 1: Automatic RATE detect
		0	RATE select			0: 2.5 to 3.2 Gbps 1: 5.0 to 6.4 Gbps

Table 8. SMBus Register Map (continued)

0x2C	DIN0 EQ Control	7:6	Reserved	R/W	0x20	Set bits to 0.
		5:0	DIN0 EQ			DIN0 EQ Control - total of 24 levels (3 gain stages with 8 settings) [5]: Enable EQ [4:3]: Gain Stage Control [2:0]: Boost Level Control Register [EN] [GST] [BST] = Hex Value 100000 = 20'h = Bypass (Default) 101010 = 2A'h = 5 dB at 3 GHz 110000 = 30'h = 9 dB at 3 GHz 110010 = 32'h = 11.7 dB at 3 GHz 111001 = 39'h = 14.6 dB at 3 GHz 110101 = 35'h = 18.4 dB at 3 GHz 110111 = 37'h = 20 dB at 3 GHz 111011 = 3B'h = 21.2 dB at 3 GHz 111101 = 3D'h = 28.4 dB at 3 GHz
0x2D	SOA0 VOD Control	7	Reserved	R/W	0x03	Set bit to 0.
		6:0	SOA0 VOD			SOA0 VOD Control 03'h = 600 mV (Default) 07'h = 800 mV 0F'h = 1000 mV 1F'h = 1200 mV 3F'h = Reserved
0x2E	SOA0 DE Control	7:0	SOA0 DEM	R/W	0x03	SOA0 DEM Control [7]: DEM TYPE (Compatibility = 0 / Enhanced = 1) [6:0]: DEM Level Control Register [TYPE] [Level Control] = Hex Value 00000001 = 01'h = 0.0 dB 00111000 = E8'h = -3.5 dB 10001000 = 88'h = -6.0 dB 10010000 = 90'h = -9.0 dB 10100000 = A0'h = -12.0 dB
0x2F	DIN0 IDLE Threshold	7:4	Reserved	R/W	0x00	Set bits to 0.
		3:0	IDLE threshold			De-assert = [3:2], assert = [1:0] 00 = 110 mV, 70 mV (Default) 01 = 150 mV, 110 mV 10 = 170 mV, 130 mV 11 = 190 mV, 150 mV
0x32	SOB0 IDLE RATE Select	7:6	Reserved	R/W	0x00	Set bits to 0.
		5	IDLE auto			0: Allow IDLE_sel control in Bit 4 1: Automatic IDLE detect
		4	IDLE select			0: Output is ON (SD is disabled) 1: Output is muted (electrical idle)
		3:2	Reserved			Set bits to 0.
		1	RATE auto			0: Allow RATE_sel control in Bit 0 1: Automatic RATE detect
		0	RATE select			0: 2.5 to 3.2 Gbps 1: 5.0 to 6.4 Gbps
0x34	SOB0 VOD Control	7	Reserved	R/W	0x03	Set bit to 0.
		6:0	SOB0 VOD			SOB0 VOD Control 03'h = 600 mV (Default) 07'h = 800 mV 0F'h = 1000 mV 1F'h = 1200 mV 3F'h = Reserved

Table 8. SMBus Register Map (continued)

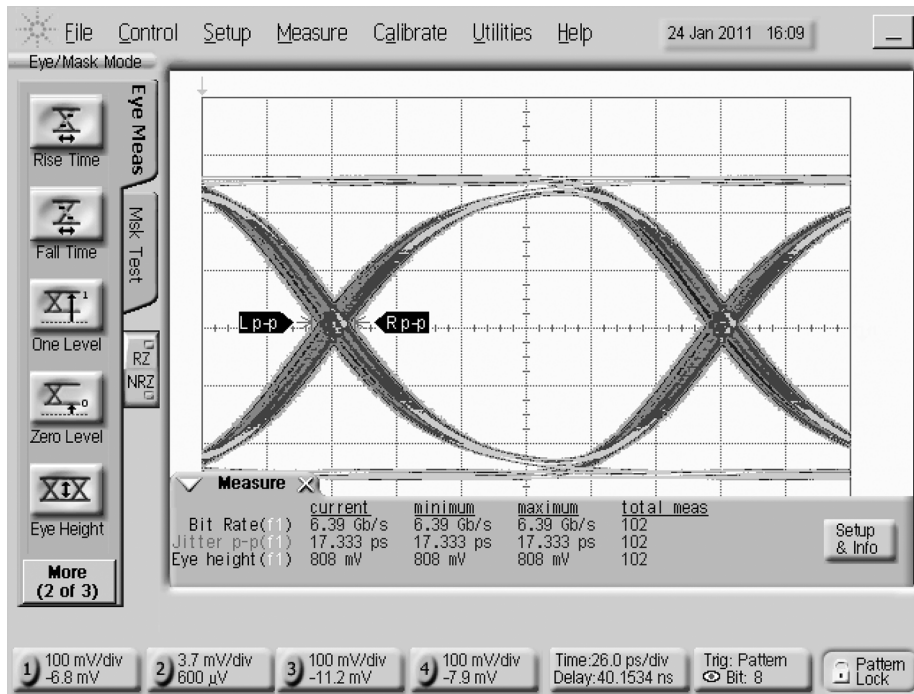
0x35	SOB0 DE Control	7:0	SOB0 DEM	R/W	0x03	SOB0 DEM Control [7]: DEM TYPE (Compatibility = 0 / Enhanced = 1) [6:0]: DEM Level Control Register [TYPE] [Level Control] = Hex Value 00000001 = 01'h = 0.0 dB 00111000 = E8'h = -3.5 dB 10001000 = 88'h = -6.0 dB 10010000 = 90'h = -9.0 dB 10100000 = A0'h = -12.0 dB
0x39	SOA1 IDLE RATE Select	7:6	Reserve	R/W	0x00	Set bits to 0.
		5	IDLE auto			0: Allow IDLE_sel control in Bit 4 1: Automatic IDLE detect
		4	IDLE select			0: Output is ON (SD is disabled) 1: Output is muted (electrical idle)
		3:2	Reserved			Set bits to 0.
		1	RATE auto			0: Allow RATE_sel control in Bit 0 1: Automatic RATE detect
		0	RATE select			0: 2.5 to 3.2 Gbps 1: 5.0 to 6.4 Gbps
0x3A	DIN1 EQ Control	7:6	Reserved	R/W	0x20	Set bits to 0.
		5:0	DIN1 EQ			DIN1 EQ Control - total of 24 levels (3 gain stages with 8 settings) [5]: Enable EQ [4:3]: Gain Stage Control [2:0]: Boost Level Control Register [EN] [GST] [BST] = Hex Value 100000 = 20'h = Bypass (Default) 101010 = 2A'h = 5 dB at 3 GHz 110000 = 30'h = 9 dB at 3 GHz 110010 = 32'h = 11.7 dB at 3 GHz 111001 = 39'h = 14.6 dB at 3 GHz 110101 = 35'h = 18.4 dB at 3 GHz 110111 = 37'h = 20 dB at 3 GHz 111011 = 3B'h = 21.2 dB at 3 GHz 111101 = 3D'h = 28.4 dB at 3 GHz
0x3B	SOA1 VOD Control	7	Reserved	R/W	0x03	Set bit to 0.
		6:0	SOA1 VOD			SOA1 VOD Control 03'h = 600 mV (Default) 07'h = 800 mV 0F'h = 1000 mV 1F'h = 1200 mV 3F'h = Reserved
0x3C	SOA1 DE Control	7:0	SOA1 DEM	R/W	0x03	SOA1 DEM Control [7]: DEM TYPE (Compatibility = 0 / Enhanced = 1) [6:0]: DEM Level Control Register [TYPE] [Level Control] = Hex Value 00000001 = 01'h = 0.0 dB 00111000 = E8'h = -3.5 dB 10001000 = 88'h = -6.0 dB 10010000 = 90'h = -9.0 dB 10100000 = A0'h = -12.0 dB
0x3D	DIN1 IDLE Threshold	7:4	Reserved	R/W	0x00	Set bits to 0.
		3:0	IDLE threshold			De-assert = [3:2], assert = [1:0] 00 = 110 mV, 70 mV (Default) 01 = 150 mV, 110 mV 10 = 170 mV, 130 mV 11 = 190 mV, 150 mV

Table 8. SMBus Register Map (continued)

0x40	SOB1 IDLE RATE Select	7:6	Reserved	R/W	0x00	Set bits to 0.
		5	IDLE auto			0: Allow IDLE_sel control in Bit 4 1: Automatic IDLE detect
		4	IDLE select			0: Output is ON (SD is disabled) 1: Output is muted (electrical idle)
		3:2	Reserved			Set bits to 0.
		1	RATE auto			0: Allow RATE_sel control in Bit 0 1: Automatic RATE detect
		0	RATE select			0: 2.5 to 3.2 Gbps 1: 5.0 to 6.4 Gbps
0x42	SOB1 VOD Control	7	Reserved	R/W	0x03	Set bit to 0.
		6:0	SOB1 VOD			SOB1 VOD Control 03'h = 600 mV (Default) 07'h = 800 mV 0F'h = 1000 mV 1F'h = 1200 mV 3F'h = Reserved
0x43	SOB1 DE Control	7:0	SOB1 DEM	R/W	0x03	SOB1 DEM Control [7]: DEM TYPE (Compatibility = 0 / Enhanced = 1) [6:0]: DEM Level Control Register [TYPE] [Level Control] = Hex Value 00000001 = 01'h = 0.0 dB 00111000 = E8'h = -3.5 dB 10001000 = 88'h = -6.0 dB 10010000 = 90'h = -9.0 dB 10100000 = A0'h = -12.0 dB
0x47	Global VOD Adjust	7:2	Reserved	R/W	0x02	Set bits to 0.
		1:0	VOD Adjust			00 = -25.0% 01 = -12.5% 10 = +0.0% (Default) 11 = +12.5%

Typical Performance

Unless otherwise noted, Typical Performance is measured at room temperature and nominal supply voltage.

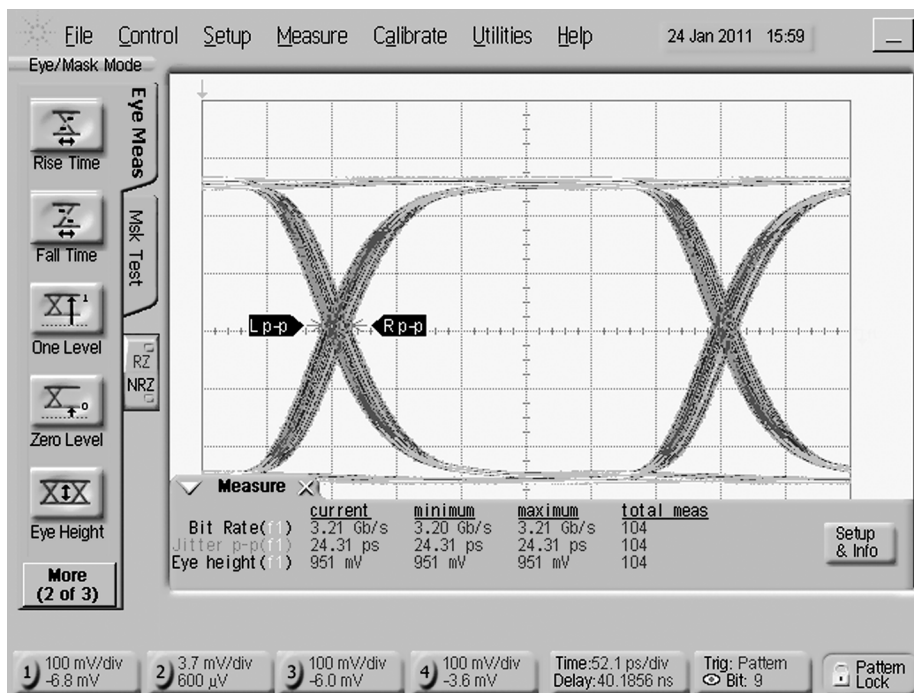


Datarate: 6.4 Gbps

Input Pattern: K28.5

Signal Conditioning: EQ Setting = 3B'h

Figure 8. Electrical Specification DJ1: 40" 4-mil microstrip trace on Input



Datarate: 3.2 Gbps

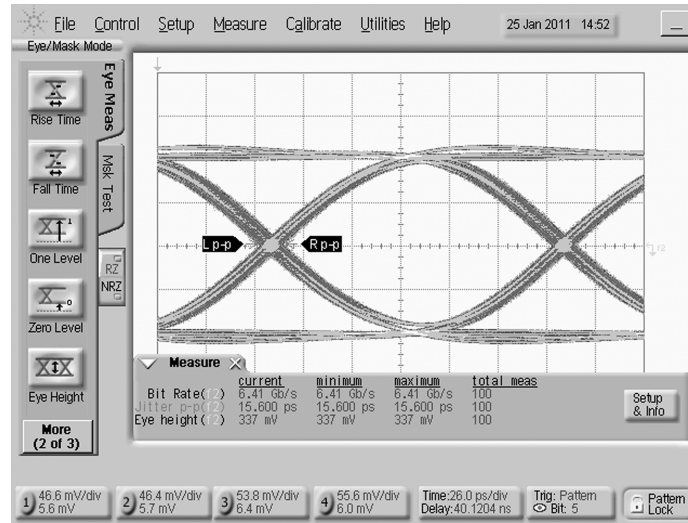
Input Pattern: K28.5

Signal Conditioning: EQ Setting = 3C'h

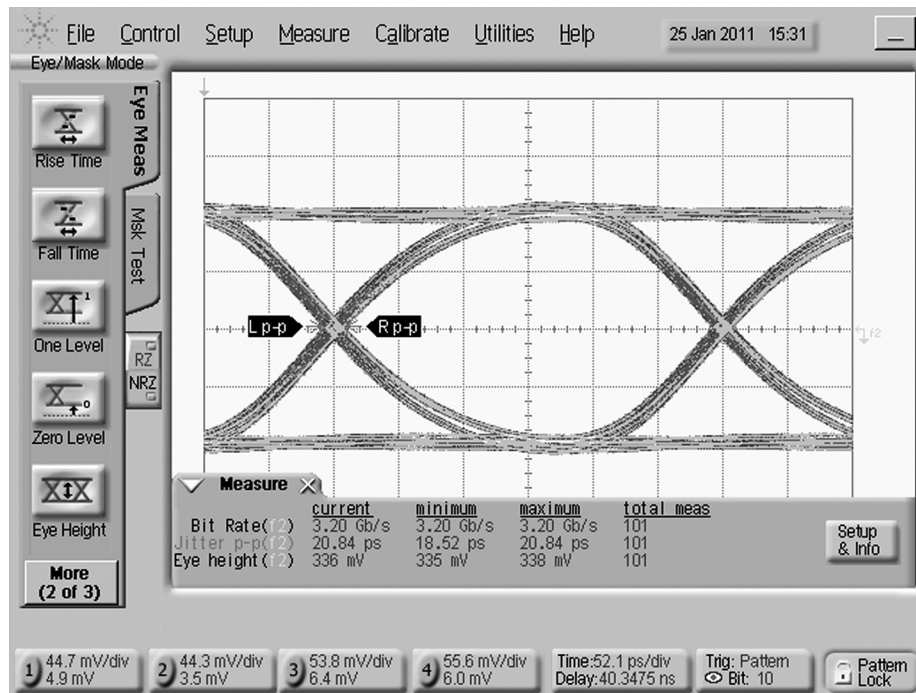
Figure 9. Electrical Specification DJ2: 40" 4-mil microstrip trace on Input

Typical Performance (continued)

Unless otherwise noted, Typical Performance is measured at room temperature and nominal supply voltage.



Datarate: 6.4 Gbps
 Input Pattern: K28.5
 Signal Conditioning: EQ Setting = 20'h (Bypass) and DE Setting = 88'h
Figure 10. Electrical Specification DJ3: 10" 4-mil microstrip trace on Output



Datarate: 3.2 Gbps
 Input Pattern: K28.5
 Signal Conditioning: EQ Setting = 20'h (Bypass) and DE Setting = 88'h
Figure 11. Electrical Specification DJ4: 20" 4-mil microstrip trace on Output

APPLICATIONS INFORMATION

General Recommendations

The DS64MB201 is a high performance circuit capable of delivering excellent performance. Careful attention must be paid to the details associated with high-speed design as well as providing a clean power supply. Refer to the LVDS Owner's Manual for more detailed information on high speed design tips to address signal integrity design issues.

PCB Layout Considerations for Differential Pairs

The CML inputs and LPDS outputs must have a controlled differential impedance of 100Ω. It is preferable to route differential lines exclusively on one layer of the board, particularly for the input traces. The use of vias should be avoided if possible. If vias must be used, they should be used sparingly and must be placed symmetrically for each side of a given differential pair. Route the differential signals away from other signals and noise sources on the printed circuit board. See AN-1187 ([SNOA401](#)) for additional information on WQFN packages.



Power Supply Bypassing

Two approaches are recommended to ensure that the DS64MB201 is provided with an adequate power supply. First, the supply (V_{DD}) and ground (GND) pins should be connected to power planes routed on adjacent layers of the printed circuit board. The layer thickness of the dielectric should be minimized so that the V_{DD} and GND planes create a low inductance supply with distributed capacitance. Second, careful attention to supply bypassing through the proper use of bypass capacitors is required. A 0.01 μF bypass capacitor should be connected to each V_{DD} pin such that the capacitor is placed as close as possible to the DS64MB201. Smaller body size capacitors can help facilitate proper component placement. Additionally, three capacitors with capacitance in the range of 2.2 μF to 10 μF should be incorporated in the power supply bypassing design as well. These capacitors can be either tantalum or an ultra-low ESR ceramic.

REVISION HISTORY

Changes from Revision C (April 2013) to Revision D	Page
• Changed layout of National Data Sheet to TI format	24

PACKAGING INFORMATION

Orderable Device	Status (1)	Package Type	Package Drawing	Pins	Package Qty	Eco Plan (2)	Lead finish/ Ball material (6)	MSL Peak Temp (3)	Op Temp (°C)	Device Marking (4/5)	Samples
DS64MB201SQ/NOPB	ACTIVE	WQFN	NJY	54	2000	RoHS & Green	SN	Level-2-260C-1 YEAR	-40 to 85	DS64MB201 SQ	
DS64MB201SQE/NOPB	ACTIVE	WQFN	NJY	54	250	RoHS & Green	SN	Level-2-260C-1 YEAR	-40 to 85	DS64MB201 SQ	

(1) The marketing status values are defined as follows:

ACTIVE: Product device recommended for new designs.

LIFEBUY: TI has announced that the device will be discontinued, and a lifetime-buy period is in effect.

NRND: Not recommended for new designs. Device is in production to support existing customers, but TI does not recommend using this part in a new design.

PREVIEW: Device has been announced but is not in production. Samples may or may not be available.

OBSOLETE: TI has discontinued the production of the device.

(2) **RoHS:** TI defines "RoHS" to mean semiconductor products that are compliant with the current EU RoHS requirements for all 10 RoHS substances, including the requirement that RoHS substance do not exceed 0.1% by weight in homogeneous materials. Where designed to be soldered at high temperatures, "RoHS" products are suitable for use in specified lead-free processes. TI may reference these types of products as "Pb-Free".

RoHS Exempt: TI defines "RoHS Exempt" to mean products that contain lead but are compliant with EU RoHS pursuant to a specific EU RoHS exemption.

Green: TI defines "Green" to mean the content of Chlorine (Cl) and Bromine (Br) based flame retardants meet JS709B low halogen requirements of <=1000ppm threshold. Antimony trioxide based flame retardants must also meet the <=1000ppm threshold requirement.

(3) MSL, Peak Temp. - The Moisture Sensitivity Level rating according to the JEDEC industry standard classifications, and peak solder temperature.

(4) There may be additional marking, which relates to the logo, the lot trace code information, or the environmental category on the device.

(5) Multiple Device Markings will be inside parentheses. Only one Device Marking contained in parentheses and separated by a "~" will appear on a device. If a line is indented then it is a continuation of the previous line and the two combined represent the entire Device Marking for that device.

(6) Lead finish/Ball material - Orderable Devices may have multiple material finish options. Finish options are separated by a vertical ruled line. Lead finish/Ball material values may wrap to two lines if the finish value exceeds the maximum column width.

Important Information and Disclaimer:The information provided on this page represents TI's knowledge and belief as of the date that it is provided. TI bases its knowledge and belief on information provided by third parties, and makes no representation or warranty as to the accuracy of such information. Efforts are underway to better integrate information from third parties. TI has taken and continues to take reasonable steps to provide representative and accurate information but may not have conducted destructive testing or chemical analysis on incoming materials and chemicals. TI and TI suppliers consider certain information to be proprietary, and thus CAS numbers and other limited information may not be available for release.

In no event shall TI's liability arising out of such information exceed the total purchase price of the TI part(s) at issue in this document sold by TI to Customer on an annual basis.

TAPE AND REEL INFORMATION

QUADRANT ASSIGNMENTS FOR PIN 1 ORIENTATION IN TAPE

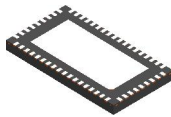

*All dimensions are nominal

Device	Package Type	Package Drawing	Pins	SPQ	Reel Diameter (mm)	Reel Width W1 (mm)	A0 (mm)	B0 (mm)	K0 (mm)	P1 (mm)	W (mm)	Pin1 Quadrant
DS64MB201SQ/NOPB	WQFN	NJY	54	2000	330.0	16.4	5.8	10.3	1.0	12.0	16.0	Q1
DS64MB201SQE/NOPB	WQFN	NJY	54	250	178.0	16.4	5.8	10.3	1.0	12.0	16.0	Q1

TAPE AND REEL BOX DIMENSIONS


*All dimensions are nominal

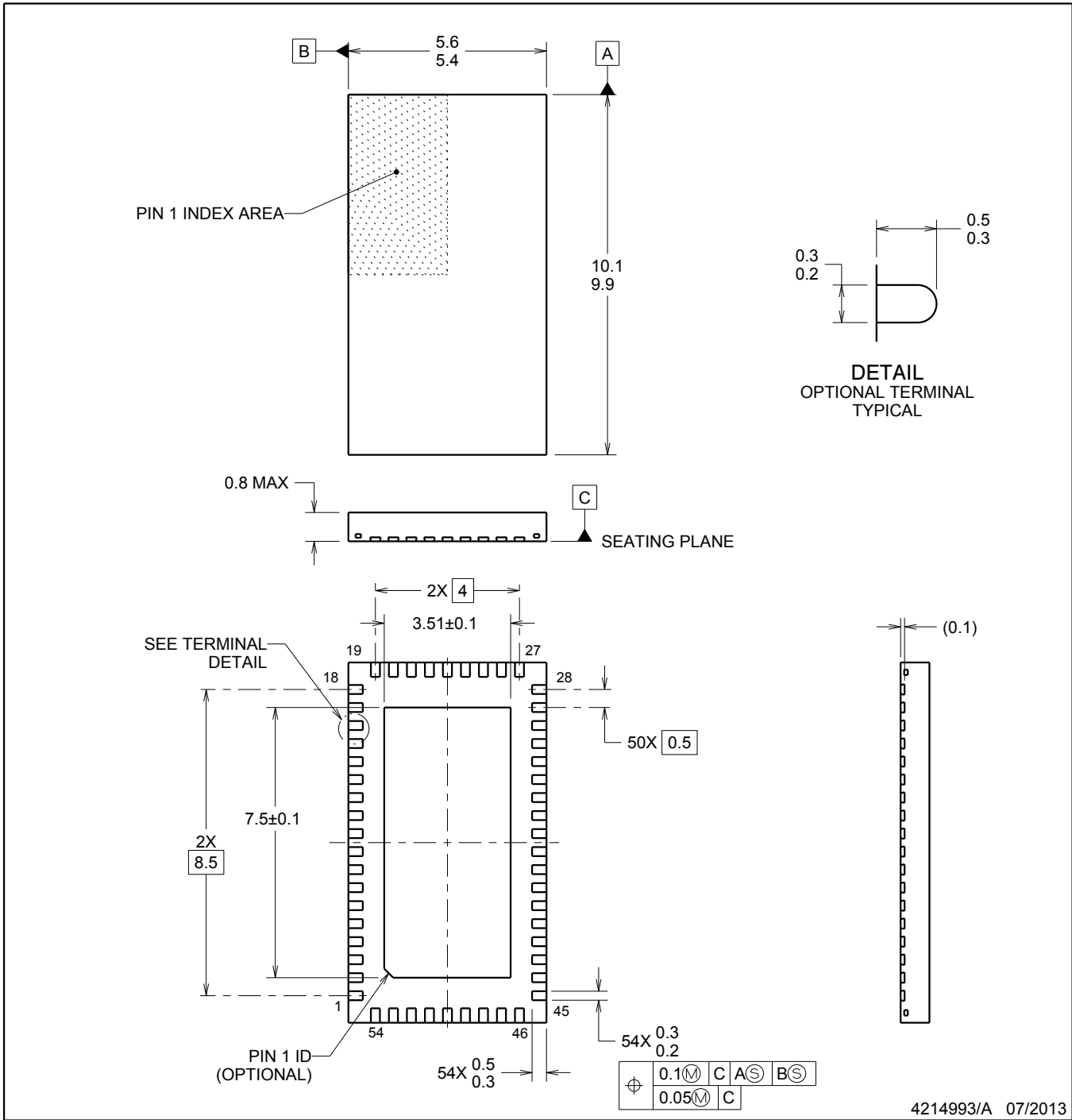
Device	Package Type	Package Drawing	Pins	SPQ	Length (mm)	Width (mm)	Height (mm)
DS64MB201SQ/NOPB	WQFN	NJY	54	2000	853.0	449.0	35.0
DS64MB201SQE/NOPB	WQFN	NJY	54	250	208.0	191.0	35.0



NJY0054A

WQFN

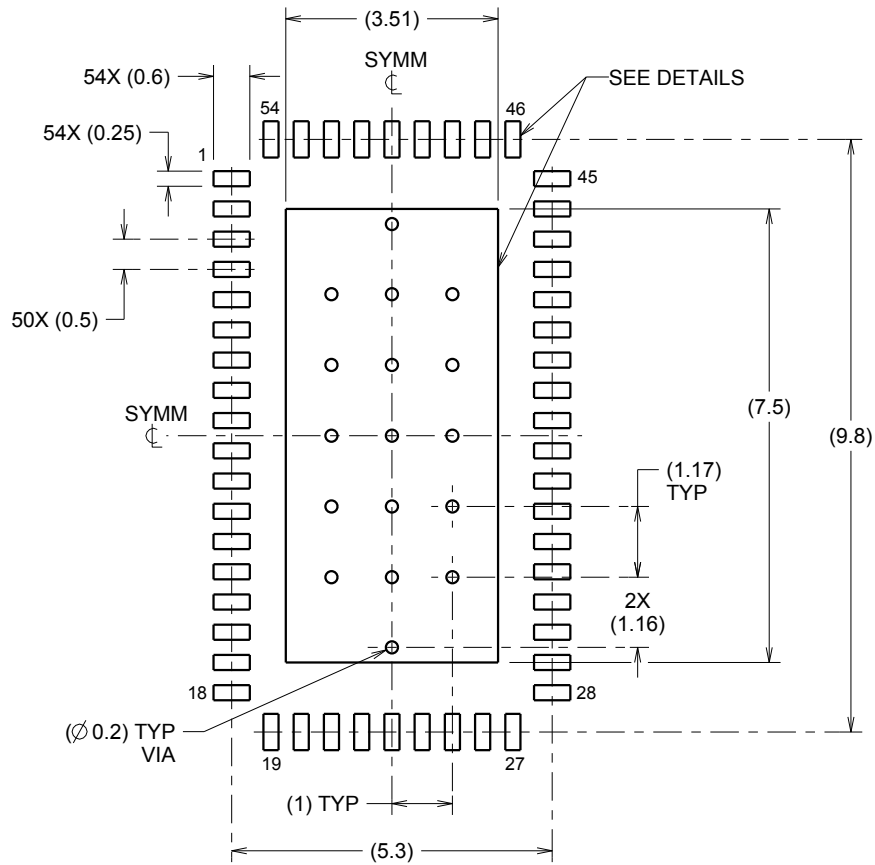
WQFN



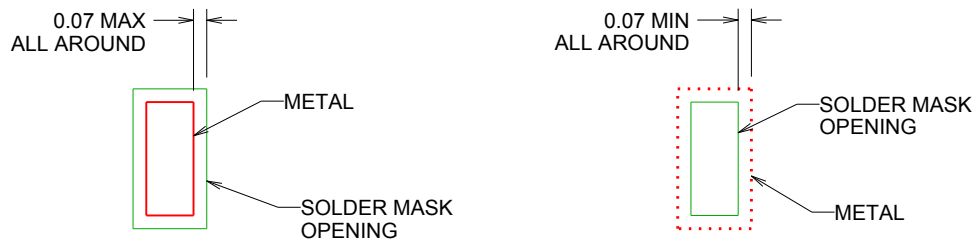
4214993/A 07/2013

NOTES:

1. All linear dimensions are in millimeters. Dimensions in parenthesis are for reference only. Dimensioning and tolerancing per ASME Y14.5M.
2. This drawing is subject to change without notice.
3. The package thermal pad must be soldered to the printed circuit board for thermal and mechanical performance.



LAND PATTERN EXAMPLE
SCALE:8X

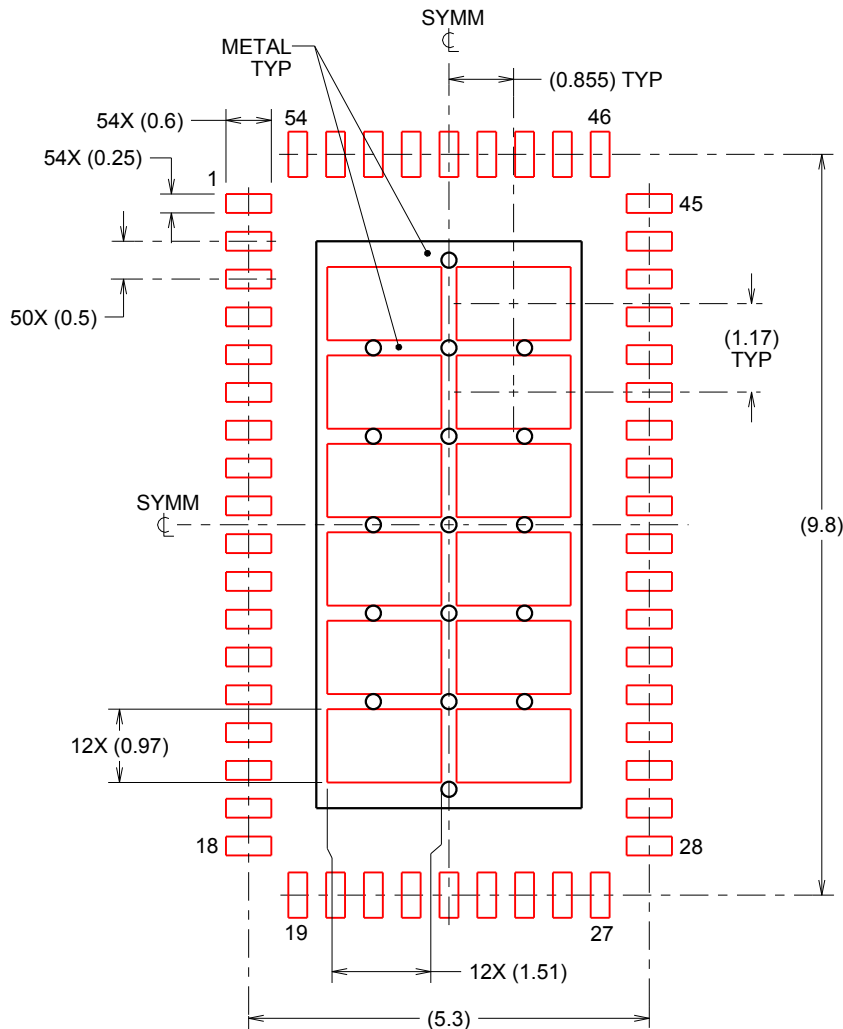


SOLDER MASK DETAILS

4214993/A 07/2013

NOTES: (continued)

4. This package is designed to be soldered to a thermal pad on the board. For more information, refer to QFN/SON PCB application note in literature No. SLUA271 (www.ti.com/lit/slua271).



SOLDERPASTE EXAMPLE
 BASED ON 0.125mm THICK STENCIL

EXPOSED PAD
 67% PRINTED SOLDER COVERAGE BY AREA
 SCALE:10X

4214993/A 07/2013

NOTES: (continued)

- 5. Laser cutting apertures with trapezoidal walls and rounded corners may offer better paste release. IPC-7525 may have alternate design recommendations.

IMPORTANT NOTICE AND DISCLAIMER

TI PROVIDES TECHNICAL AND RELIABILITY DATA (INCLUDING DATA SHEETS), DESIGN RESOURCES (INCLUDING REFERENCE DESIGNS), APPLICATION OR OTHER DESIGN ADVICE, WEB TOOLS, SAFETY INFORMATION, AND OTHER RESOURCES "AS IS" AND WITH ALL FAULTS, AND DISCLAIMS ALL WARRANTIES, EXPRESS AND IMPLIED, INCLUDING WITHOUT LIMITATION ANY IMPLIED WARRANTIES OF MERCHANTABILITY, FITNESS FOR A PARTICULAR PURPOSE OR NON-INFRINGEMENT OF THIRD PARTY INTELLECTUAL PROPERTY RIGHTS.

These resources are intended for skilled developers designing with TI products. You are solely responsible for (1) selecting the appropriate TI products for your application, (2) designing, validating and testing your application, and (3) ensuring your application meets applicable standards, and any other safety, security, regulatory or other requirements.

These resources are subject to change without notice. TI grants you permission to use these resources only for development of an application that uses the TI products described in the resource. Other reproduction and display of these resources is prohibited. No license is granted to any other TI intellectual property right or to any third party intellectual property right. TI disclaims responsibility for, and you will fully indemnify TI and its representatives against, any claims, damages, costs, losses, and liabilities arising out of your use of these resources.

TI's products are provided subject to [TI's Terms of Sale](#) or other applicable terms available either on ti.com or provided in conjunction with such TI products. TI's provision of these resources does not expand or otherwise alter TI's applicable warranties or warranty disclaimers for TI products.

TI objects to and rejects any additional or different terms you may have proposed.

Mailing Address: Texas Instruments, Post Office Box 655303, Dallas, Texas 75265
Copyright © 2021, Texas Instruments Incorporated