

Type LPT-08-L (Left Hand Exit) “Add-On” Automotive Fuse Holder Tiny Automotive Blade Type Fuse

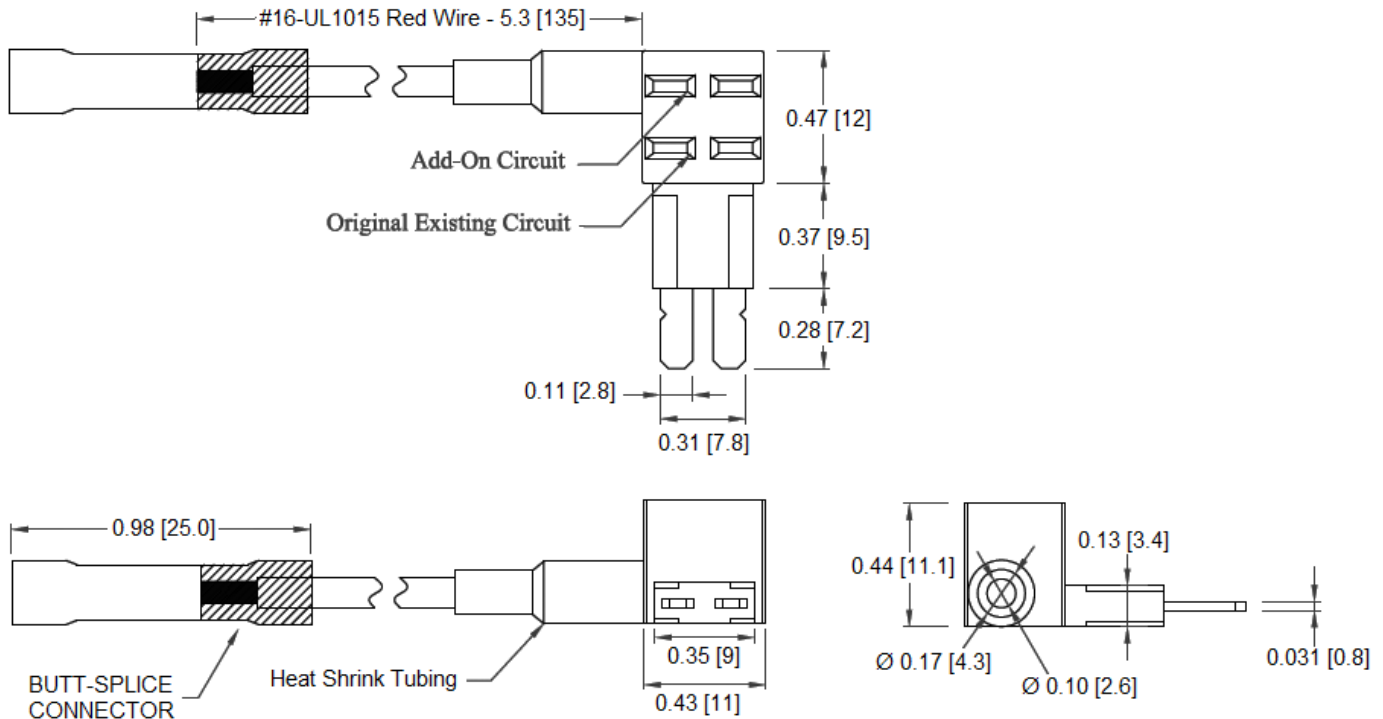



www.optifuse.com (619) 593-5050

Rating: 58VDC
 Max Combined Current - Both Circuits - 30A
 Max Primary Circuit - 25A
 Max Auxiliary Circuit - 15A

Body Material: Nylon PA66 UL94V-0
 Terminals: Tin plated Brass
 For use with Type APT/ANT (Tiny[Micro2] Style Auto Blade Fuses)
 Wire: 16 AWG Red Wire, UL1015 105°C
 Connector: Butt-Splice Connector

Mechanical Dimensions: Inches [mm]



<p>Warning:</p> 	<ul style="list-style-type: none"> -Operation beyond the specified maximum ratings or improper use may result in damage and possible electrical arcing and/or flame. -Device is intended for occasional overcurrent protection. Application for repeated overcurrent condition and/or prolonged trip are not anticipated. -Avoid contact of device with chemical solvent. Prolonged contact will damage the device performance.
--	--

Note: All specifications and dimensions subject to change without notice.