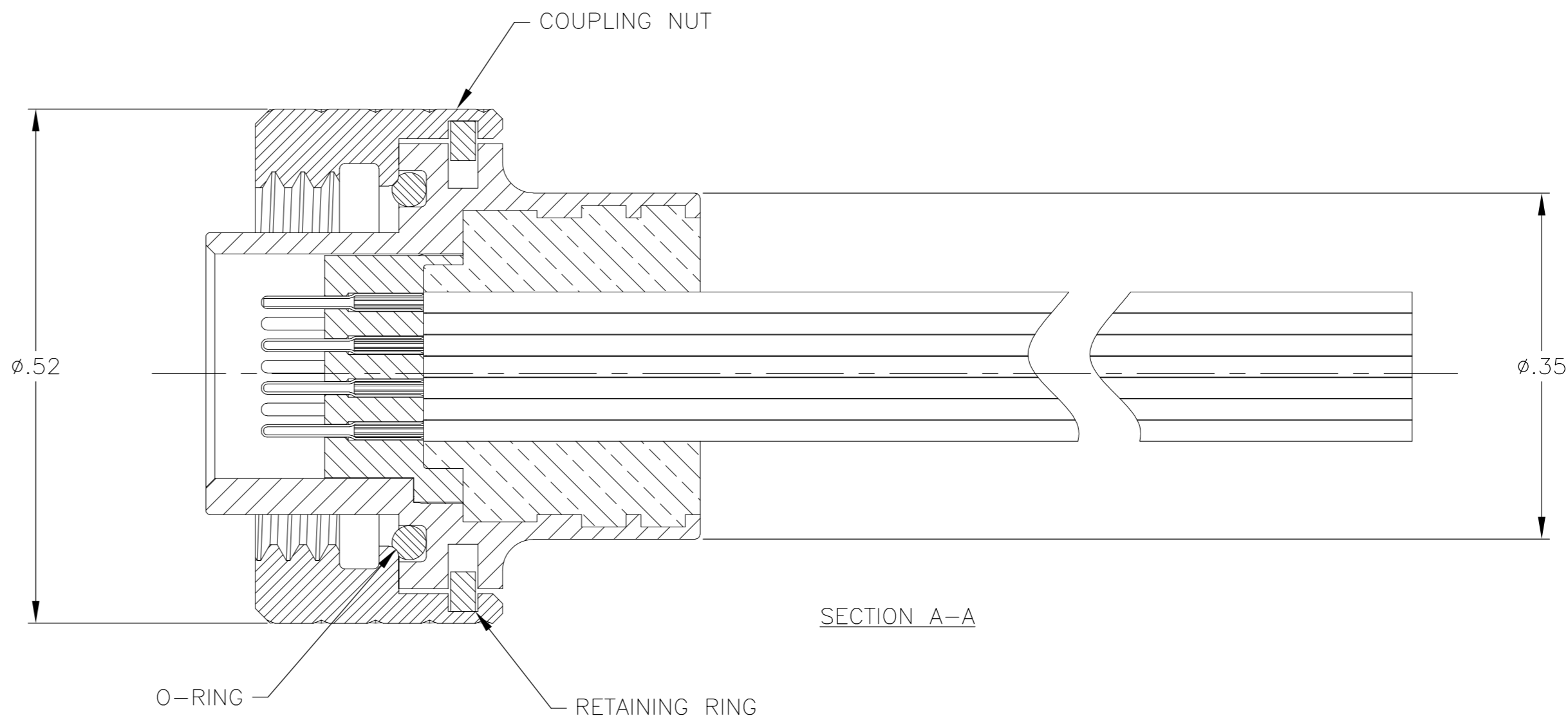
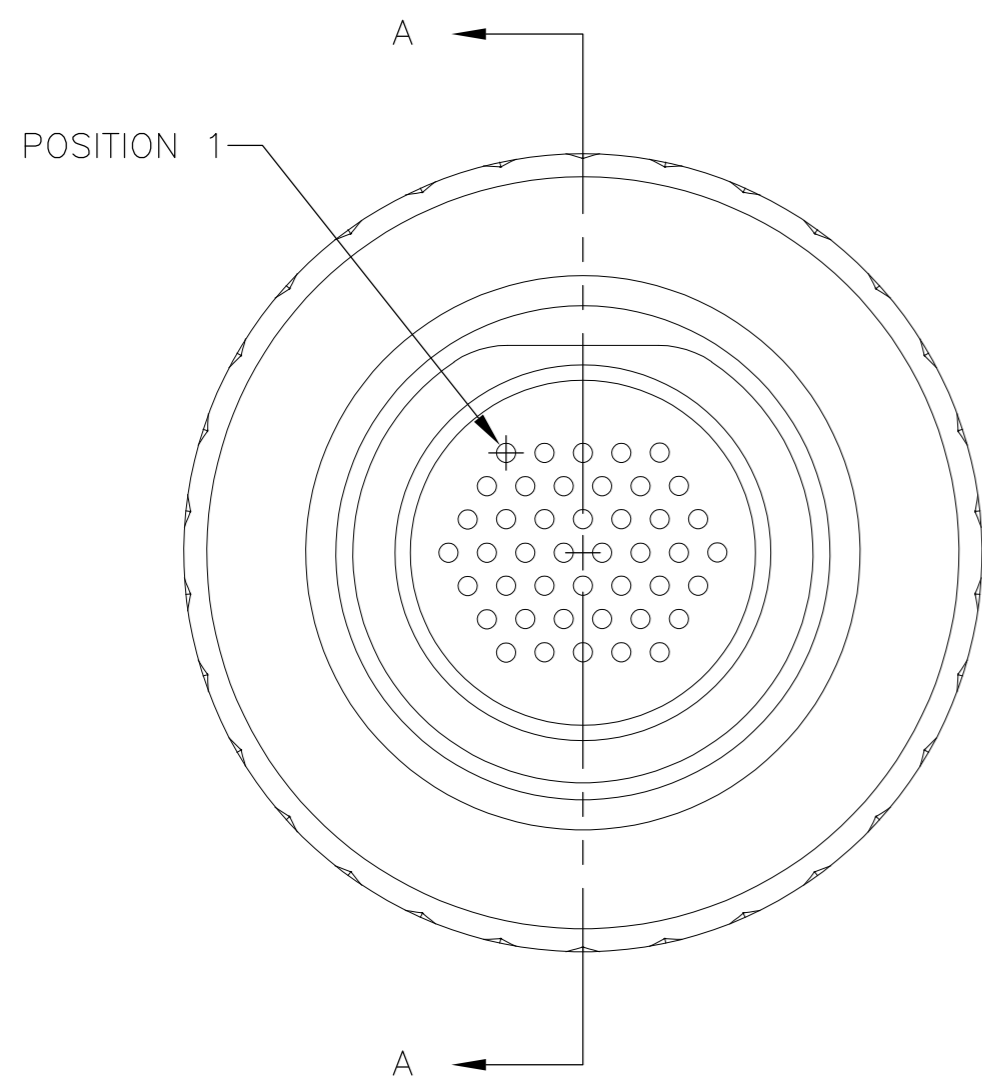
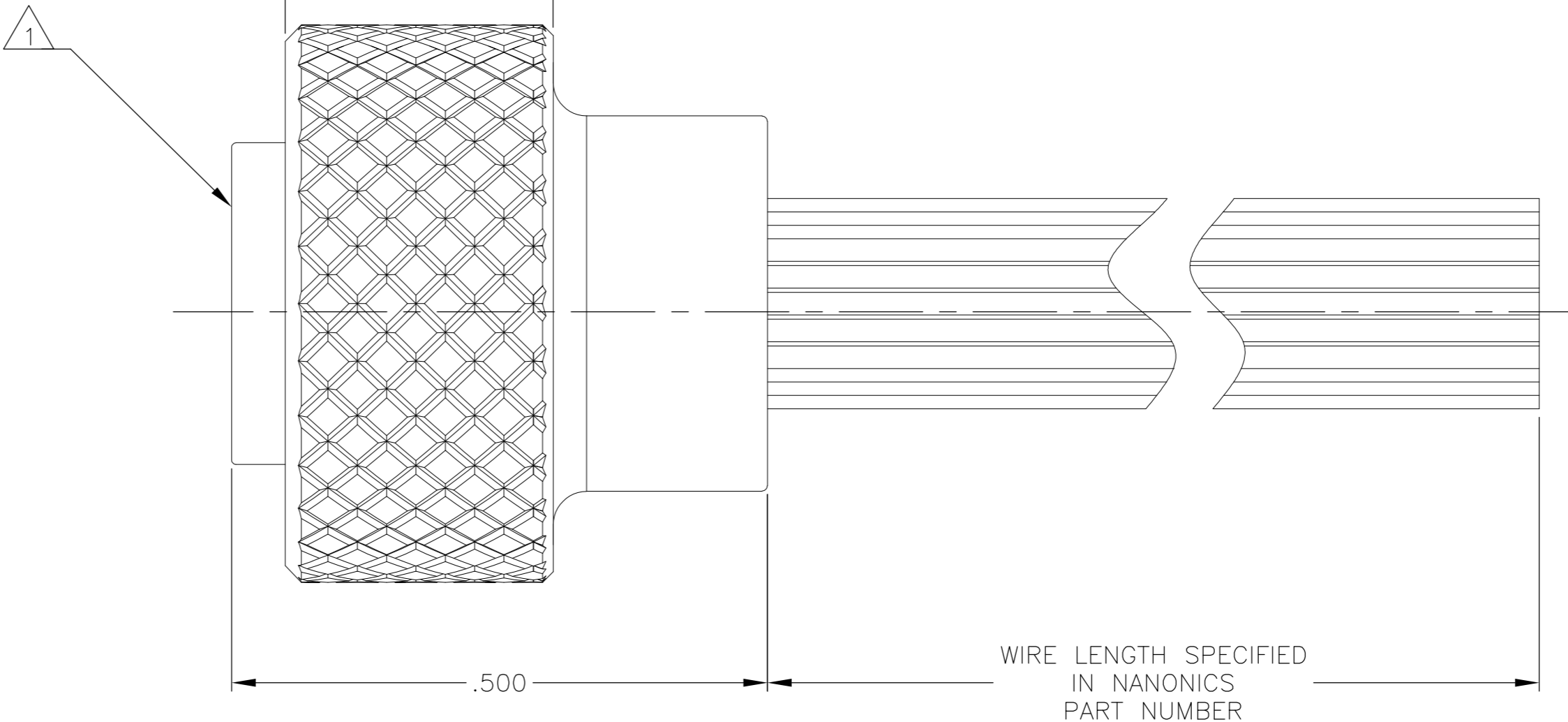
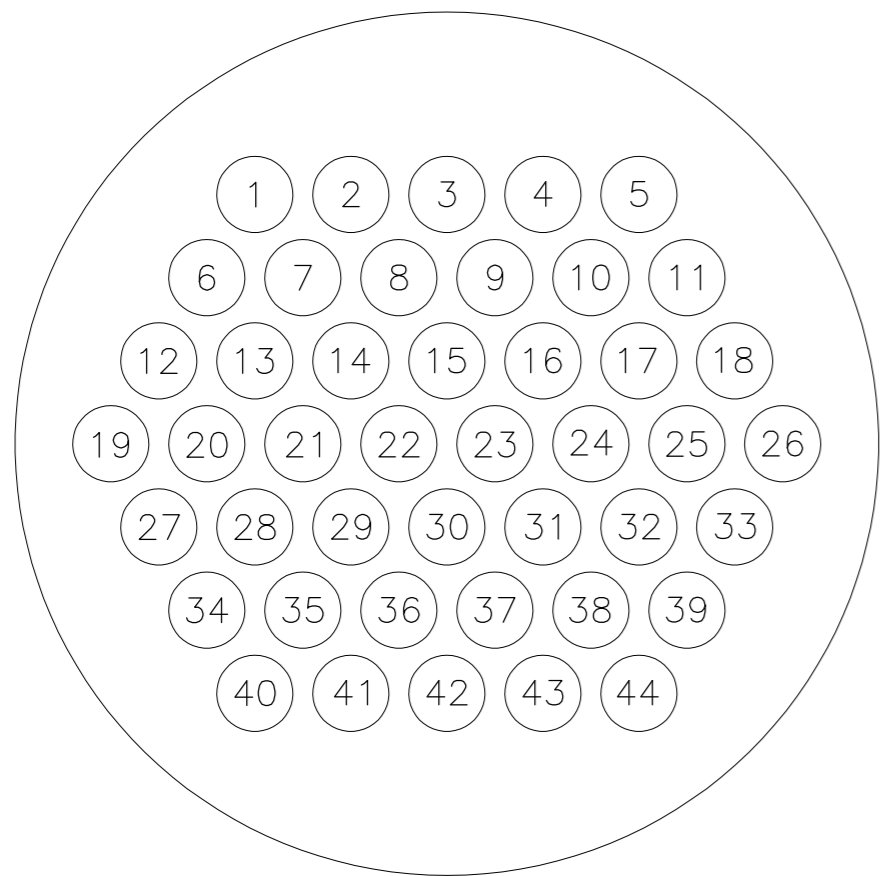


THIS DRAWING IS UNPUBLISHED. RELEASED FOR PUBLICATION  
 © COPYRIGHT - By - ALL RIGHTS RESERVED.

LOC		DIST		REVISIONS			
P	LTR	DESCRIPTION	DATE	DWN	APVD		
	G	UPDATE PER ECO-11-013272	28 JUN 11	CAS	MKS		

CONTACT IDENTIFICATION



- 1 CONNECTOR BODY AND COUPLING NUT MATERIAL: 6061-T6 ALUMINUM, GOLD PLATED PER MIL-DTL-45204  
 INSULATOR MATERIAL: LIQUID CRYSTAL POLYMER (LCP) PER ASTM D5138 OR POLYPHENYLENE SULFIDE (PPS) PER ASTM D4067  
 RETAINING RING MATERIAL: STAINLESS STEEL, PASSIVATED PER SAE-AMS-2700  
 O-RING MATERIAL: NITRILE
- 2 WIRE TERMINATION: 28 AWG SOLID, 30 AWG STRANDED WIRE OR SMALLER
- 3 PREVIOUS NANONICS DRAWING NUMBER C66011

THIS DRAWING IS A CONTROLLED DOCUMENT.		DWN M. STORRY 05-06-97		
DIMENSIONS: INCHES		CHK E. PAULUS 09-05-97		
TOLERANCES UNLESS OTHERWISE SPECIFIED:		APVD M. STORRY 04-24-02	NAME PLUG ASSEMBLY, 44 POSITION, CIRCULAR, NCG SERIES	
		PRODUCT SPEC	SIZE A2	
MATERIAL SEE NOTE		FINISH SEE NOTE	CAGE CODE OPJN9	DRAWING NO 1589429
		APPLIC. SPEC	RESTRICTED TO	
		WEIGHT	SCALE 8:1	SHEET 1 of 1
		CUSTOMER DRAWING	REV G	