



50 ohm SMA plug to SMA jack DC Block inner from 10MHz to 18GHz rated 200 Volt in Stainless Steel

DC Blocks Technical Data Sheet

PE8266

Features

- Inner DC Blocks with Stainless Steel Body
- SMA connectorized configuration
- Operates from 10 MHz to 18 GHz
- 50 Ohm Impedance

Applications

- Test & Measurement
- Ground Loop Elimination
- Signal to Noise Ratio (SNR) Improvement

Description

Pasternack's PE8266 is an inner DC block with SMA connectors. It has a blocking capacitor on the inner conductor and operates from 10 MHz to 18 GHz. Our SMA DC block offers good insertion loss of 0.6 dB and has a maximum operating voltage of 200 Vdc. DC blocks are commonly used to filter out unwanted DC signals, while allowing AC drive signals to pass through. They can help improve signal to noise ratio (SNR), eliminate ground loops, or provide isolation in your test setup. All of Pasternack's DC blocks are in stock and available to ship same-day.

Electrical Specifications

Description	Minimum	Typical	Maximum	Units
Frequency Range	0.01		18	GHz
Impedance		50		Ohms
VSWR			1.35:1	
Insertion Loss			0.6	dB
Operating Voltage (DC)			200	Volts

Mechanical Specifications

Size

Length	0.97 in [24.64 mm]
Width	0.315 in [8 mm]
Height	0.315 in [8 mm]
Weight	0.05 lbs [22.68 g]
Housing Material and Plating	Stainless Steel

Configuration

Package Type	Connectorized
--------------	---------------

Description	Connector 1	Connector 2
Type	SMA Male	SMA Female
Inner Conductor Material and Plating	Beryllium Copper, Gold	Beryllium Copper, Gold

Click the following link (or enter part number in "SEARCH" on website) to obtain additional part information including price, inventory and certifications: [50 ohm SMA plug to SMA jack DC Block inner from 10MHz to 18GHz rated 200 Volt in Stainless Steel PE8266](#)



50 ohm SMA plug to SMA jack DC Block inner from
10MHz to 18GHz rated 200 Volt in Stainless Steel

DC Blocks Technical Data Sheet

PE8266

Compliance Certifications (see [product page](#) for current document)

Plotted and Other Data

Notes:

50 ohm SMA plug to SMA jack DC Block inner from 10MHz to 18GHz rated 200 Volt in Stainless Steel from Pasternack Enterprises has same day shipment for domestic and International orders. Our RF, microwave and millimeter wave products maintain a 99.4% availability and are part of the broadest selection in the industry.

Click the following link (or enter part number in "SEARCH" on website) to obtain additional part information including price, inventory and certifications: [50 ohm SMA plug to SMA jack DC Block inner from 10MHz to 18GHz rated 200 Volt in Stainless Steel PE8266](#)

URL: <https://www.pasternack.com/50-ohm-sma-dc-block-10-mhz-18-ghz-pe8266-p.aspx>

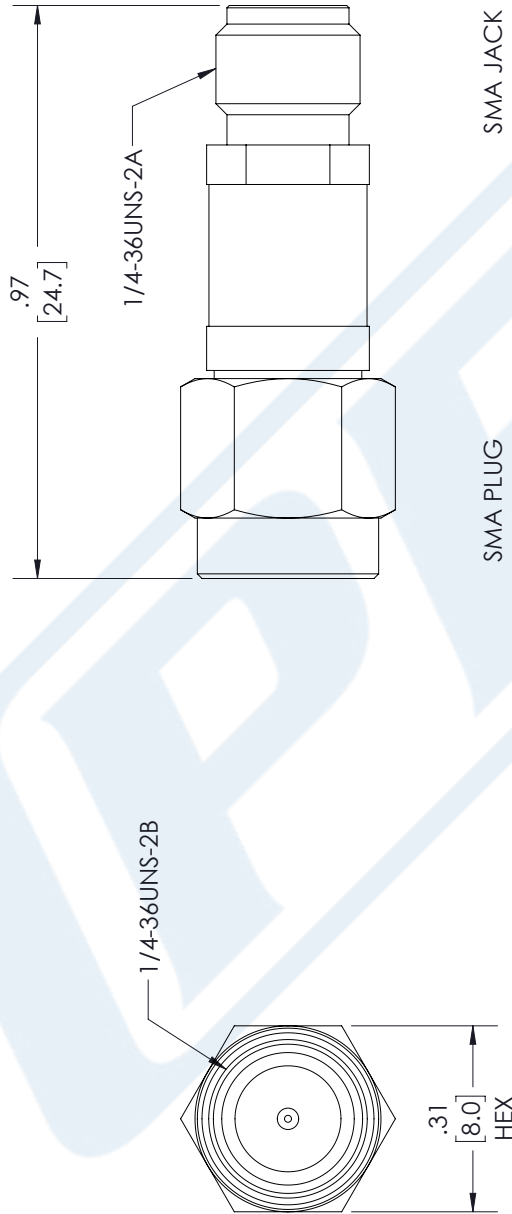
The information contained in this document is accurate to the best of our knowledge and representative of the part described herein. It may be necessary to make modifications to the part and/or the documentation of the part, in order to implement improvements. Pasternack reserves the right to make such changes as required. Unless otherwise stated, all specifications are nominal. Pasternack does not make any representation or warranty regarding the suitability of the part described herein for any particular purpose, and Pasternack does not assume any liability arising out of the use of any part or documentation.

PE8266 CAD Drawing

50 ohm SMA plug to SMA jack DC Block inner from 10MHz to 18GHz rated 200 Volt in Stainless Steel

REVISIONS

REV.	DESCRIPTION	DATE	APPROVED
A	INITIAL RELEASE	1/25/22	JNAJERA



UNLESS OTHERWISE SPECIFIED
LEADING DIMENSIONS ARE INCHES
DIMENSIONS IN [] ARE MILLIMETERS

TOLERANCES:

.X = ±.2	[5.08]	FRACTIONS	
.XX = ±.02	[.51]		±.1/32
.XXX = ±.005	[.13]	ANGLES ± 1°	

CABLE LENGTH (L) TOLERANCES:

L ≤ 12	[305]	= +1	[25] / -0	
12	[305]	< L ≤ 60	[1524] = +2	[51] / -0
60	[1524]	< L ≤ 120	[3048] = +4	[102] / -0
120	[3048]	< L ≤ 300	[7620] = +6	[152] / -0
300	[7620]	< L =	+5%	/ -0

ALL DIMENSIONS SHOWN
ARE FOR REFERENCE ONLY.

PE PASTERNAK
an INFINITI® brand

Pasternack Enterprises, Inc.
P.O. Box 16759, Irvine, CA 92623.
Phone: 1.949.261.1920 | 1.866.727.8376
Fax: 1.949.261.7451
Website: www.pasternack.com
E-mail: sales@pasternack.com

SIZE [CAGE CODE] DRAWN BY [ITEM NO.]
A 53919 HBAKKE PE8266

THIRD-ANGLE PROJECTION

THE INFORMATION AND
DESIGN IN THIS DOCUMENT
IS THE PROPERTY OF
PASTERNAK CORPORATION
ALL RIGHTS RESERVED.

SHEET 1 OF 1
SCALE N/A
REV A