



## MCU solution for Alexa built-in IoT products

# MCU-Based Solution for Alexa Voice Service

NXP's MCU-based solution for Amazon's Alexa Voice Service (AVS) Integration for AWS IoT Core leverages the i.MX RT106A audio crossover processor, enabling developers to quickly and easily add the Alexa voice assistant to their products. This turnkey design with ultra-small form factor comes fully integrated with Amazon-qualified software for an out-of-the-box AVS experience.

### OVERVIEW

NXP's MCU-based AVS solution provides OEMs with a fully integrated, self-contained, software and hardware solution that includes both the MCU and an NXP smart audio amplifier with speaker protection. It comes with all far field audio processing algorithms including noise suppression, echo cancellation, beamforming and barge-in capabilities, to enable use in acoustically difficult environments. Also included is the Amazon Alexa client application and a machine learning inference engine for Alexa wake word identification.

This cost-effective, easy to use AVS implementation facilitates the demand for ubiquitous voice control embedded in a diverse variety of products across home, commercial and industrial applications. It eliminates the need to deploy dedicated stand-alone voice control devices such as smart speakers or smart displays.



### TARGET APPLICATIONS

The i.MX RT106A MCU-based solution for AVS enables designers to integrate Alexa into a wide variety of smart home, appliance, retail and industrial products.

- ▶ Smart switches, smart lighting, shade, and fan controls
- ▶ Smart plugs and outlets
- ▶ Smart appliances
- ▶ Set top boxes and residential gateways
- ▶ Alarm/access panels and thermostats
- ▶ Garage door openers
- ▶ Room air conditioners
- ▶ POS terminals
- ▶ Bluetooth® beacons
- ▶ Electronic shelf labels
- ▶ Industrial automation
- ▶ Hands-free process control

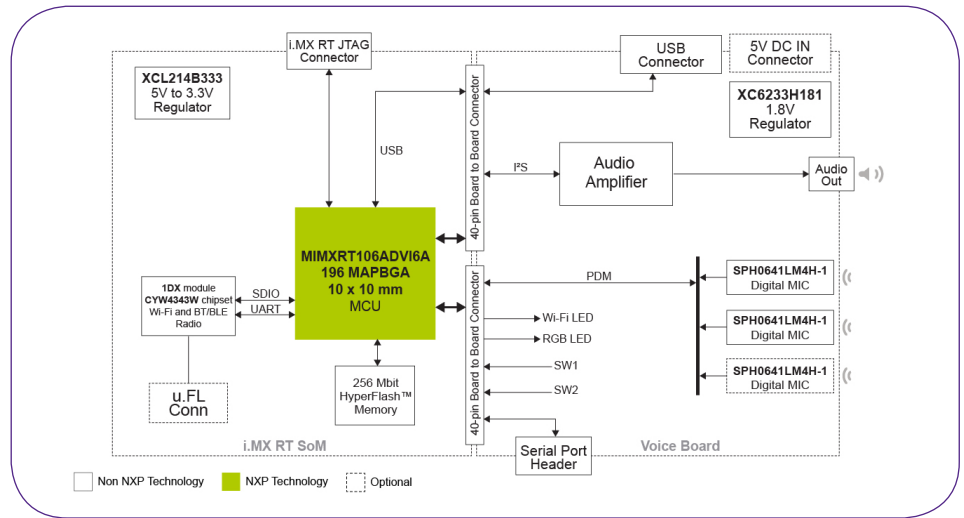


## i.MX RT106A AUDIO CROSSOVER PROCESSOR OVERVIEW

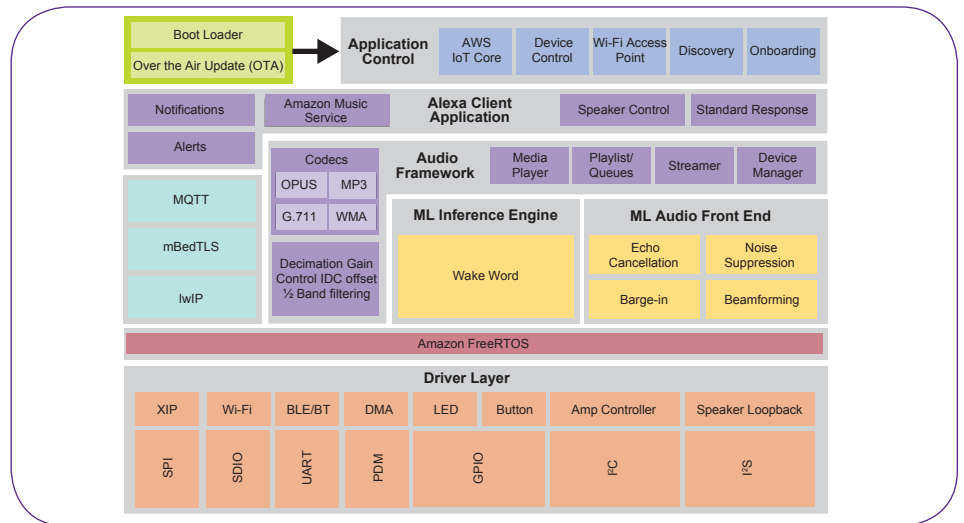
The i.MX RT106A is an EdgeReady member of the i.MX RT1060 family of crossover processors, targeting cloud-based embedded voice applications. It features NXP's advanced implementation of the Arm® Cortex®-M7 core, which operates at speeds up to 600 MHz to provide high CPU performance and real-time response. i.MX RT106A-based solution enables system designers to easily and inexpensively add voice control capabilities to a wide variety of smart appliance, home, retail, and industrial devices. The i.MX RT106A processor is licensed to run NXP's turnkey voice assistant software solutions, which includes:

- ▶ Machine Learning far field audio front end
- ▶ Acoustic echo cancellation (barge-in)
- ▶ Ambient noise reduction
- ▶ Beamforming
- ▶ Playback processing
- ▶ Codecs
- ▶ Wake word inference engine
- ▶ Media player/streamer
- ▶ MQTT, lwIP, TLS
- ▶ Discovery and onboarding
- ▶ All drivers, including Wi-Fi® and Bluetooth
- ▶ Supported by MCUXpresso SDK, IDE and Config Tools

## HARDWARE BLOCK DIAGRAM



## SOFTWARE BLOCK DIAGRAM



PART NUMBER	DESCRIPTION	FEATURES	DIMENSIONS
SLN-ALEXA-IOT	MCU-based Alexa Voice Service solution evaluation and development kit	<ul style="list-style-type: none"> <li>• Turnkey, cost-optimized, production-ready, AVS-qualified solution software</li> <li>• i.MX RT106A audio crossover processor software</li> <li>• Audio amplifier</li> <li>• 32 MB HyperFlash</li> <li>• 802.11 b/g/n Wi-Fi®</li> <li>• Bluetooth®/Bluetooth LE 4.2</li> <li>• Digital MEMS microphones (x3)</li> </ul>	40 x 30 mm dual stack 4-layer PCBs
MIMXRT106ADVL6A	i.MX RT106A Audio crossover processor	<ul style="list-style-type: none"> <li>• 600 MHz Arm® Cortex®-M7 MCU with complete voice solution software</li> <li>• 1 MB On-chip RAM</li> </ul>	10 x 10 mm 0.65 mm pitch 196-pin MABGA