

## Specifications

Electrical Ratings	50mA @ 48VDC	Actuator Travel	.25 ± 0.10mm
Electrical Life	500,000 cycles typical	Dielectric Strength	250Vrms min
Contact Resistance	<50mΩ initial	Insulation Resistance	>100MΩ min
Actuation Force	160 ± 50gF	Operating Temperature	-40°C to 85°C
	260 ± 50gF	Storage Temperature	-40°C to 85°C
		Sealing Degree	IP67

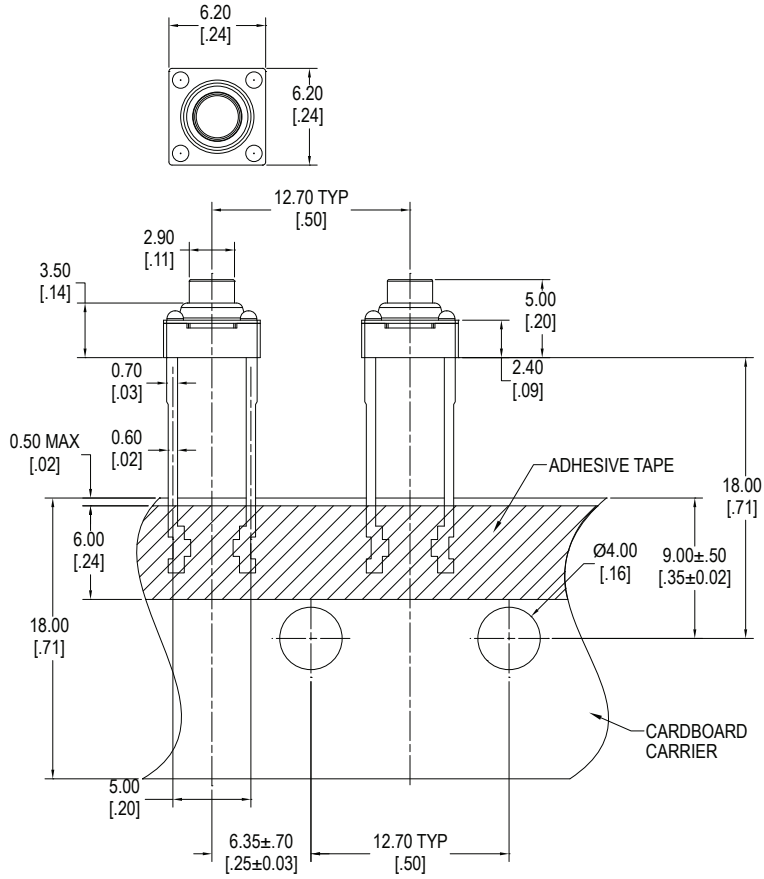
## Materials

Actuator	Polybutylene Terephthalate (PBT)
Housing	Polybutylene Terephthalate (PBT)
Seal	Silicone, Rubber
Cover	Brass, Tin Plated
Contacts	Stainless Steel, Silver Plated
Terminals	Copper Alloy, Silver Plated

## Ordering Information

1. Series	STK	5.0	L	G
STK				
2. Actuator Height				
4.3 = 4.3mm				
5.0 = 5.0mm				
7.0 = 7.0mm				
3. Contact Options				
L = Stainless Steel dome				
4. Actuation Force				
F160 = 160gF				
F260 = 260gF				

**Dimensions**



**Schematic & PC Layout**

