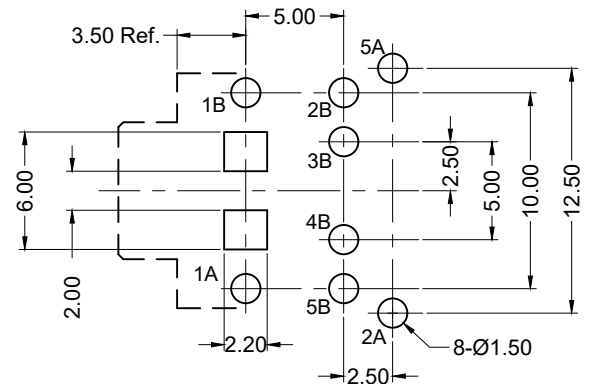
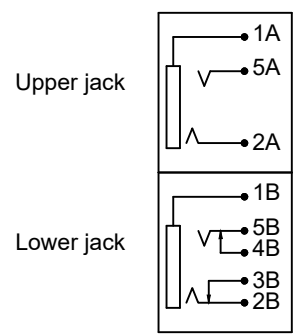


**Schematic**



Recommended PCB Layout (Top View)

**Materials and Finish**

Housing: PA46 Thermoplastic  
 15% Glass Filled, Black  
 UL 94V-2 Rated  
 Color: Black

Terminals: Phosphor Bronze  
 Tin Plated  
 Pin# 3B, 4B: Brass, Tin plated

**Electrical Characteristics**

Contact Resistance:  
 Before Test: 50 mohms Max.  
 After Durability Test:  
 100 mohms Max.

Insulation Resistance:  
 More than 100 Megohms  
 at 500V DC

Dielectric Strength:  
 500V AC RMS for 1 minute

Operating Temp:  
 -25°C to +85°C

Voltage Rating:  
 16 Volts DC

Current Rating:  
 0.3 A

Max Process Temp:  
 With Jack mounted on PCB,  
 Terminals immersed in solder bath at  
 260±5°C for 10±1 sec.

**Mechanical Characteristics**

Insertion Force:  
 0.4kg - 3.0kg

Extraction Force:  
 0.4kg - 3.0kg

Durability: 5000 mating cycles

| Tolerances    |
|---------------|
| X.X ± 0.3     |
| X.XX ± 0.2    |
| Unless Stated |
| Otherwise     |



| REV. | DATE     | DESCRIPTION    | REV. BY    | CHK. BY     | DRAWN BY   | DATE     |
|------|----------|----------------|------------|-------------|------------|----------|
| A1   | 8/5/05   | New Drawing    | R. Aguirre | H. MA       | R. Aguirre | 07/14/05 |
| A2   | 01/11/11 | ECO #10-095    | S. Vien    | H. MA       |            |          |
| A3   | 06/15/11 | ECO #11-040    | S. Vien    | H. MA       |            |          |
| A4   | 06/17/13 | ECO #13-038    | W. Cook    | P. DalCanto |            |          |
| A5   | 08/14/18 | Update Address | D. Shehan  | N/A         |            |          |

**STX-4235-3/5-N**

Stacked 3.5mm/3.5mm Stereo Jacks,

3 Position over 5 Position, RoHS Compliant

