

## PCN – Process Change Notification

Change:	WS.01.B.305151
Date:	2017/04/27
Author	Bonnie Chen

### Affected Products

Model#	Part Number	Changes
2.4GHz/5.2GHz Hercules Antenna with 3M CFD200 RP- SMA(M)	WS.01.B.305151	1. Amend Package Rule.

### Type of Change

- Hardware Modification  
 Production Process Advance  
 Others –Amend Package Rule.
- 

### Description of Change

1. Amend Package Rule.

### Schedule

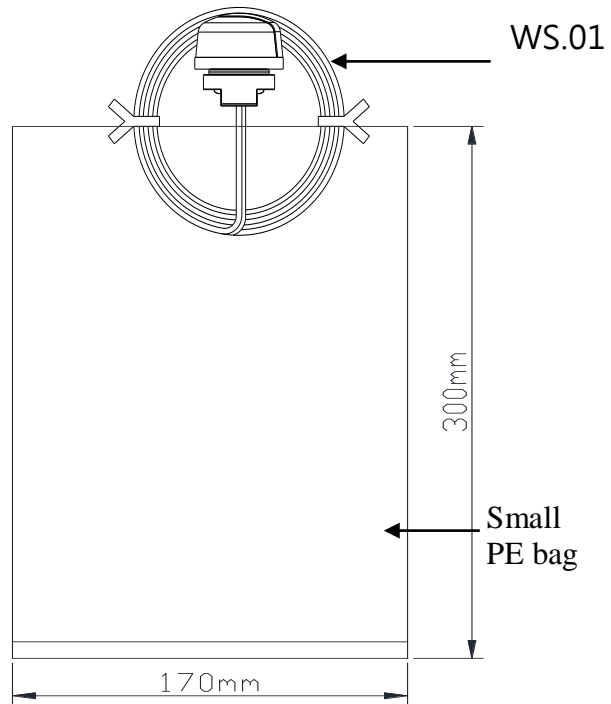
2017, May, Taoglas will provide new package rule into production.

### Forecast Estimated Transition Date

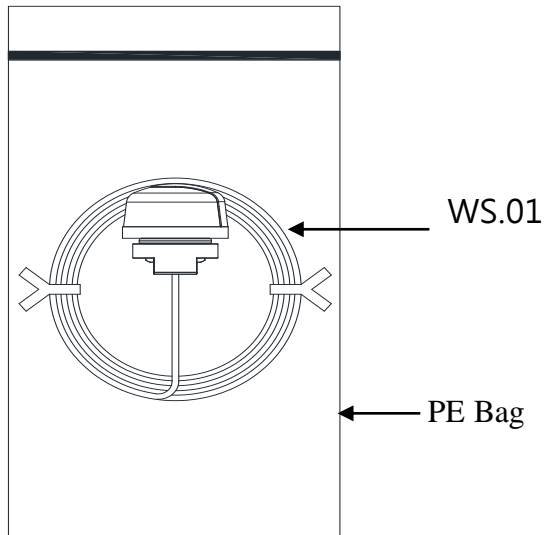
May/2017

**Illustration of Change**

**Old Package**



**New Package**



1pcs / PE Bag (160x300mm)



SPQ: 50pcs / Carton  
(390x260x330mm)

