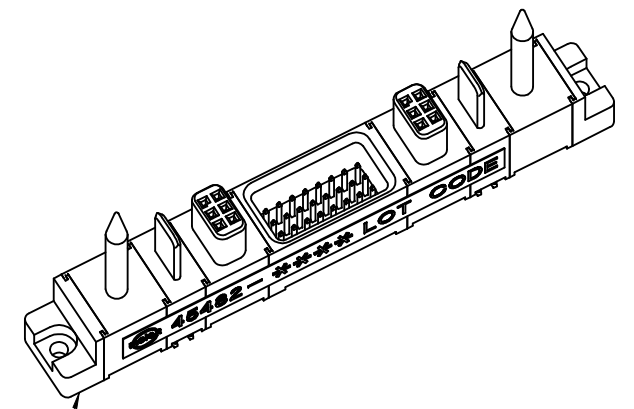
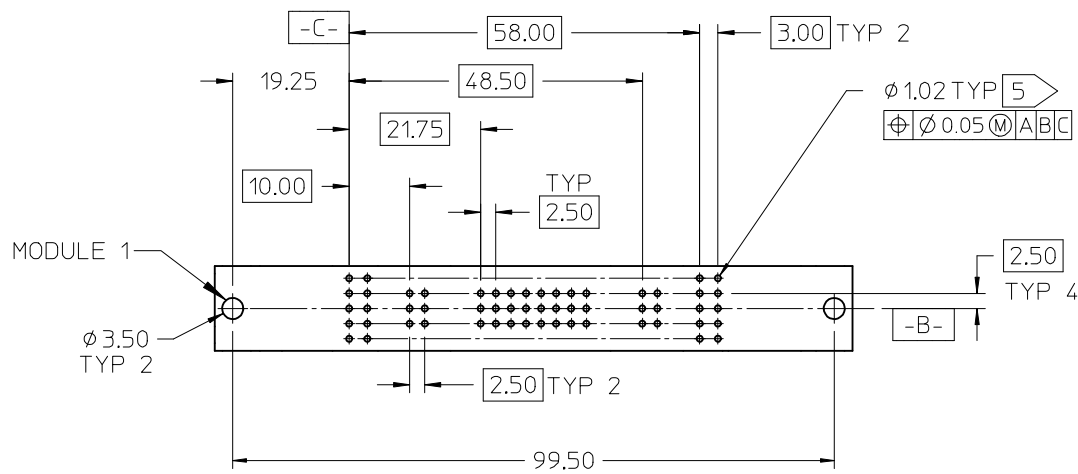
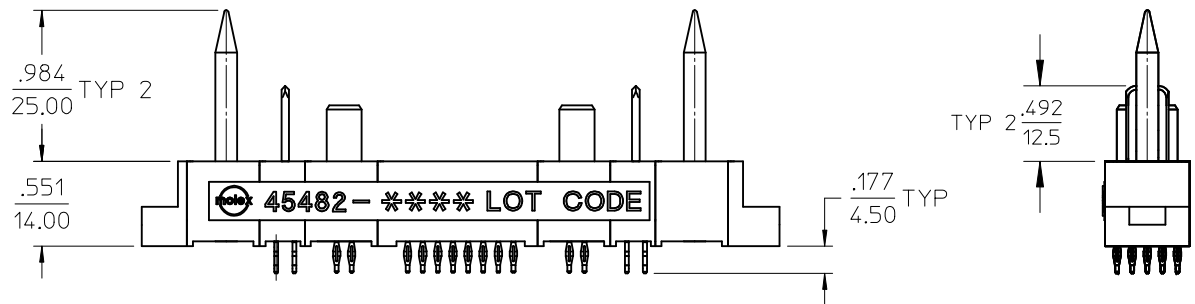


- NOTES:
- MATERIAL: LCP, GLASS FILLED, UL94V-0, BLACK.
CONTACTS: COPPER ALLOY
 - FINISH: SELECT GOLD: 30 MI MIN.
SELECT TIN: 100 MI MIN.
BOTH OVER NICKEL.
 - PRODUCT SPECIFICATION: PS-45424-001.
 - PACKAGING SPECIFICATION: PK-45482-001.
 - PCB HOLE SPECIFICATION: PS-45424-001.



PD 500	PD 503	PD 202	PD 413	PD 400	PD 413	PD 202	PD 503	PD 501
--------	--------	--------	--------	--------	--------	--------	--------	--------

PCB LAYOUT: COMPONENT SIDE
PCB THICKNESS: .093/2.36 MIN
PCB TOLERANCE: ±.002/0.05

ADDED STANDOFFS EC NO: UCP2005-2039 DRWN: ADRATN02005/05/03 CH'KD: SAMIEC 2005/05/03 APPR: YMARGULI2005/05/04	QUALITY SYMBOLS	GENERAL TOLERANCES (UNLESS SPECIFIED) mm INCH 4 PLACES ± --- ± --- 3 PLACES ± --- ± .010 2 PLACES ± 0.25 ± .015 1 PLACE ± 0.38 ± --- ANGULAR ± 1/2° DRAFT WHERE APPLICABLE MUST REMAIN WITHIN DIMENSIONS
	DESCRIPTION	
	REV	
	A1	

SCALE	DESIGN UNITS
1:1.33	METRIC
DIMENSION STYLE	
IN/MM	
DRAWN BY	DATE
SAMIEC	2003/10/31
CHECKED BY	DATE
MARGULIS	2003/10/31
APPROVED BY	DATE
MARGULIS	2003/10/31

THIRD ANGLE PROJECTION	
REVISE ON CAD ONLY	
TITLE	
POWER DOCK ASSEMBLY POWER VERTICAL CPI	
molex MOLEX INCORPORATED	
MATERIAL NO.	DOCUMENT NO.
45482-0051	SD-45482-051
SHEET NO.	1 OF 1

THIS DRAWING CONTAINS INFORMATION THAT IS PROPRIETARY TO MOLEX INCORPORATED AND SHOULD NOT BE USED WITHOUT WRITTEN PERMISSION		
---	--	--