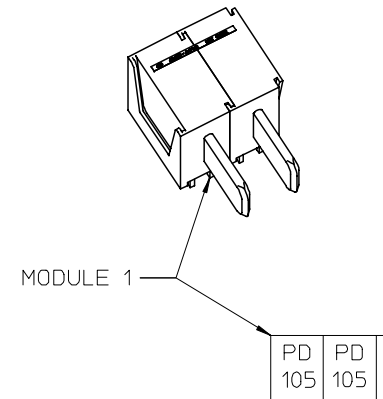
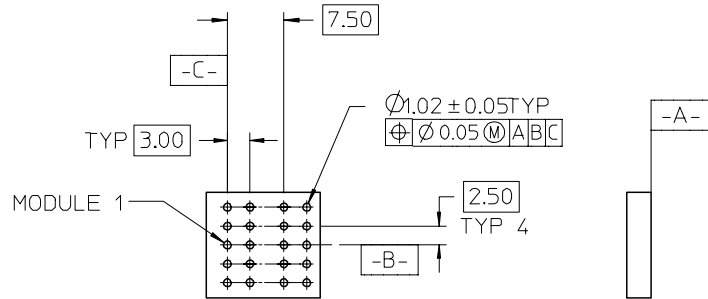
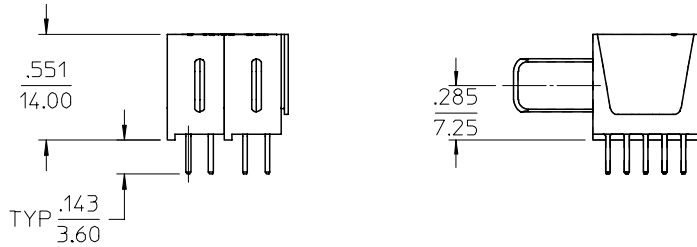
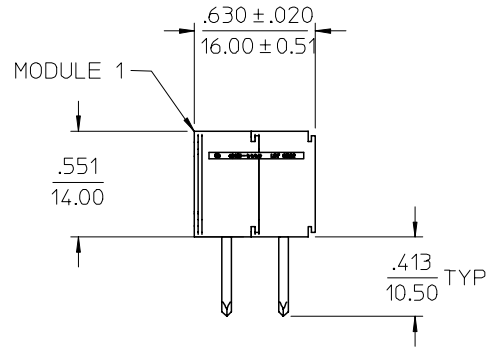


NOTES:

1. MATERIAL: LCP, GLASS FILLED, UL94V-0, BLACK.
CONTACTS: COPPER ALLOY
2. FINISH: SELECT GOLD: 30 MI MIN.
SELECT TIN: 100 MI MIN.
BOTH OVER NICKEL
3. PRODUCT SPECIFICATION: PS-45424-001.
4. PACKAGING SPECIFICATION: PK-45485-001.



PCB LAYOUT: COMPONENT SIDE
PCB THICKNESS: .093/2.36
PCB TOLERANCE: ±.002/0.05

EC NO: UCP2005-2576 DRWN: ADRA/TND/2005/07/07 CHK'D: KSAMEC 2005/07/08 APPR: APATEL 2005/07/19	DESCRIPTION	
		REV
A1		

GENERAL TOLERANCES (UNLESS SPECIFIED)	mm	INCH
	4 PLACES ± ---	± ---
DRAFT WHERE APPLICABLE MUST REMAIN WITHIN DIMENSIONS	3 PLACES ± ---	± .010
	2 PLACES ± 0.25	± .015
DRAFT WHERE APPLICABLE MUST REMAIN WITHIN DIMENSIONS	1 PLACE ± 0.38	± ---
	ANGULAR ± 1/2°	

SCALE 1:1	DESIGN UNITS METRIC
DIMENSION STYLE IN/MM	
DRAWN BY SAMIEC	DATE 2004/03/05
CHECKED BY MARGULIS	DATE 2004/03/05
APPROVED BY MARGULIS	DATE 2004/03/05

THIRD ANGLE PROJECTION	REVISE ON CAD ONLY	
TITLE	POWER DOCK ASSEMBLY POWER RIGHT ANGLE SOLDER TAIL	
MOLEX	MOLEX INCORPORATED	
MATERIAL NO. 45485-0100	DOCUMENT NO. SD-45485-100	SHEET NO. 1 OF 1
THIS DRAWING CONTAINS INFORMATION THAT IS PROPRIETARY TO MOLEX INCORPORATED AND SHOULD NOT BE USED WITHOUT WRITTEN PERMISSION		