

| NO OF SIGNAL | MATERIAL NUMBER | DIM A | DIM P | PCB THK |
|--------------|-----------------|-------|-------|---------|
| 12           | 45985-0111      | 12.5  | 4.50  | 3.18    |
| 16           | 45985-0121      | 15.0  |       |         |
| 20           | 45985-0131      | 17.6  |       |         |
| 24           | 45985-0141      | 20.1  |       |         |
| 28           | 45985-0151      | 22.6  |       |         |
| 32           | 45985-0161      | 25.2  | 3.60  | 2.36    |
| 36           | 45985-0171      | 27.7  |       |         |
| 40           | 45985-0181      | 30.3  |       |         |
| 12           | 45985-0112      | 12.5  |       |         |
| 16           | 45985-0122      | 15.0  |       |         |
| 20           | 45985-0132      | 17.6  | 2.90  | 1.57    |
| 24           | 45985-0142      | 20.1  |       |         |
| 28           | 45985-0152      | 22.6  |       |         |
| 32           | 45985-0162      | 25.2  |       |         |
| 36           | 45985-0172      | 27.7  |       |         |
| 40           | 45985-0182      | 30.3  | 2.90  | 1.57    |
| 12           | 45985-0113      | 12.5  |       |         |
| 16           | 45985-0123      | 15.0  |       |         |
| 20           | 45985-0133      | 17.6  |       |         |
| 24           | 45985-0143      | 20.1  | 2.90  | 1.57    |
| 28           | 45985-0153      | 22.6  |       |         |
| 32           | 45985-0163      | 25.2  |       |         |
| 36           | 45985-0173      | 27.7  |       |         |
| 40           | 45985-0183      | 30.3  |       |         |

NOTES:

- MATERIAL:  
HOUSING: GLASS FILLED LCP (LIQUID CRYSTAL POLYMER); UL94V-0; COLOR: BLACK  
TERMINALS: COPPER ALLOY
- PLATING: 0.76 MICROMETER / (30 MICROINCH) MINIMUM SELECT GOLD  
3.81 MICROMETER / (150 MICROINCH) MINIMUM SELECT TIN, BOTH OVER  
1.27 MICROMETER / (50 MICROINCH) MINIMUM NICKEL OVERALL.
- PRODUCT SPECIFICATION: PS-45984-001.
- PACKAGING SPECIFICATION: PK-45984-001.
- SEE SHEET 5 FOR CIRCUIT IDENTIFICATION.
- PARTS ARE RoHS COMPLIANT.
- MATES WITH 45984, 46113 SERIES RECEPTACLE.

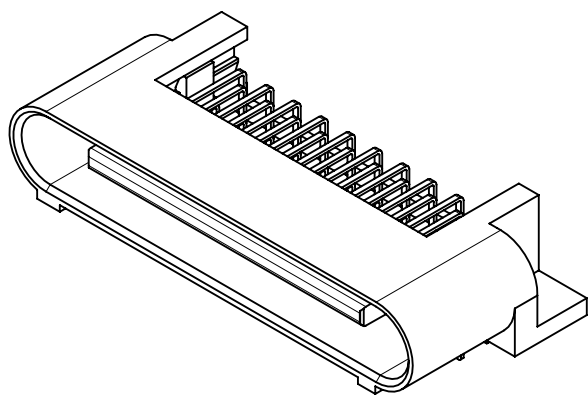
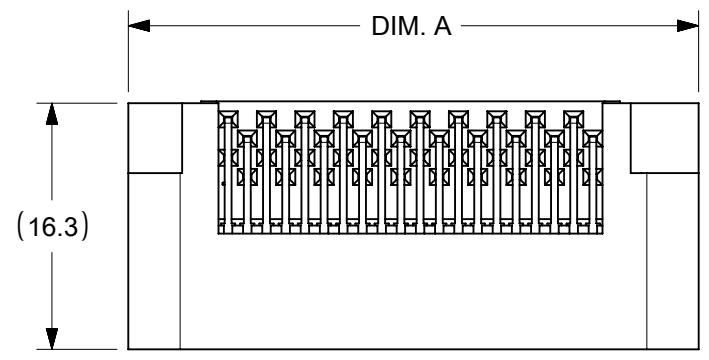
|   |  |  |  |                        |  |   |  |               |  |
|---|--|--|--|------------------------|--|---|--|---------------|--|
| THIS DRAWING CONTAINS INFORMATION THAT IS PROPRIETARY TO MOLEX ELECTRONIC TECHNOLOGIES, LLC AND SHOULD NOT BE USED WITHOUT WRITTEN PERMISSION |  |  |  |                        |  |   |  |               |  |
| SYMBOLS   |  | DIMENSION UNITS                                      |  | SCALE                  |  | CURRENT REV DESC: CIRCUIT NO. 1 AND 2 ON PCB ARE CORRECTED  |  |               |  |
| ▽ = 0   |  | mm   |  | 2:1                    |  | <b>molex</b><br>LPH PLUG ASSEMBLY SIGNAL CONNECTOR<br>PRODUCT CUSTOMER DRAWING                      |  |               |  |
| ▽ = 0   |  | GENERAL TOLERANCES (UNLESS SPECIFIED)                |  |                        |  |   |  |               |  |
| ▽ = 0   |  |  |  |                        |  | EC NO: 676774<br>DRWN: CHETAB 2021/09/02<br>CHK'D: MBELLE 2021/09/07<br>APPR: HTHYAGARAJ 2021/09/09 |  |               |  |
| ▽ = 0   |  | 4 PLACES ±   |  | ±                      |  | INITIAL REVISION:<br>DRWN: BANDURA 5/1/2006<br>APPR: PATEL 5/5/2006                                 |  |               |  |
| ▽ = 0   |  | 3 PLACES ±   |  | ±                      |  |   |  |               |  |
| ▽ = 0   |  | 2 PLACES ±   |  | ± 0.25 ±               |  | DOCUMENT NUMBER: SD-45985-483<br>DOC TYPE: PSD<br>DOC PART: 001<br>REVISION: D1                     |  |               |  |
| ▽ = 0   |  | 1 PLACE ±  |  | ±                      |  | MATERIAL NUMBER: SEE CHART<br>CUSTOMER: GENERAL MARKET<br>SHEET NUMBER: 1 OF 5                      |  |               |  |
| ▽ = 0   |  | 0 PLACES ±   |  | ±                      |  |   |  |               |  |
| ▽ = 0   |  | ANGULAR TOL ± 0.5°                                   |  |                        |  |   |  |               |  |
| ▽ = 0   |  | DRAFT WHERE APPLICABLE MUST REMAIN WITHIN DIMENSIONS |  | THIRD ANGLE PROJECTION |  | DRAWING: B-SIZE   |  | SERIES: 45985 |  |

|                 |    |              |            |          |
|-----------------|----|--------------|------------|----------|
| DOCUMENT STATUS | P1 | RELEASE DATE | 2021/09/09 | 11:58:04 |
|-----------------|----|--------------|------------|----------|

10 9 8 7 6 5 4 3 2 1

F

F



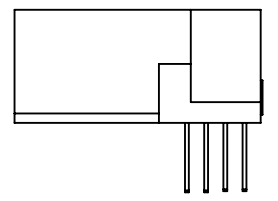
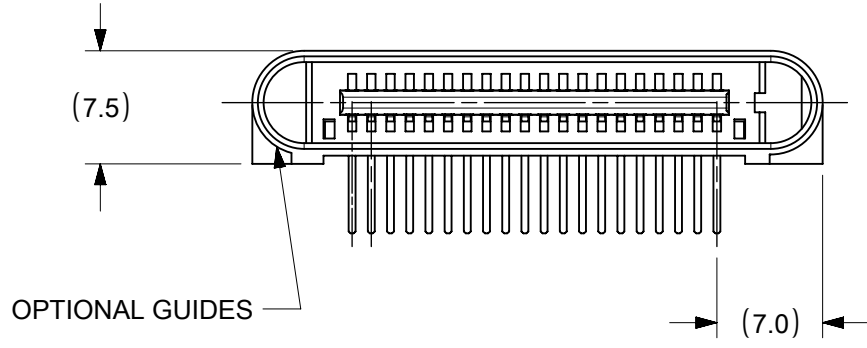
E

E

| NO OF SIGNAL | MATERIAL NUMBER | DIM A | DIM P | PCB THK |
|--------------|-----------------|-------|-------|---------|
| 12           | 45985-0211      | 19.9  | 4.50  | 3.18    |
| 16           | 45985-0221      | 22.5  |       |         |
| 20           | 45985-0231      | 25.0  |       |         |
| 24           | 45985-0241      | 27.6  |       |         |
| 28           | 45985-0251      | 30.1  |       |         |
| 32           | 45985-0261      | 32.6  | 3.60  | 2.36    |
| 36           | 45985-0271      | 35.2  |       |         |
| 40           | 45985-0281      | 37.7  |       |         |
| 12           | 45985-0212      | 19.9  |       |         |
| 16           | 45985-0222      | 22.5  |       |         |
| 20           | 45985-0232      | 25.0  | 2.90  | 1.57    |
| 24           | 45985-0242      | 27.6  |       |         |
| 28           | 45985-0252      | 30.1  |       |         |
| 32           | 45985-0262      | 32.6  |       |         |
| 36           | 45985-0272      | 35.2  |       |         |
| 40           | 45985-0282      | 37.7  | 2.90  | 1.57    |
| 12           | 45985-0213      | 19.9  |       |         |
| 16           | 45985-0223      | 22.5  |       |         |
| 20           | 45985-0233      | 25.0  |       |         |
| 24           | 45985-0243      | 27.6  |       |         |
| 28           | 45985-0253      | 30.1  |       |         |
| 32           | 45985-0263      | 32.6  |       |         |
| 36           | 45985-0273      | 35.2  |       |         |
| 40           | 45985-0283      | 37.7  |       |         |

D

D



C

C

B

B

A

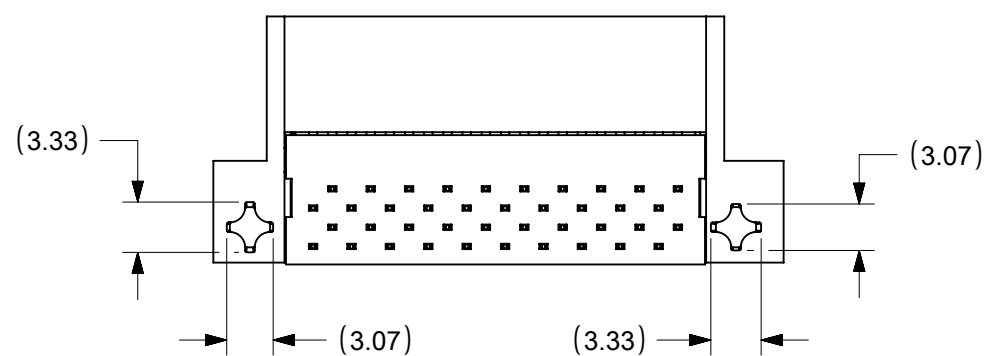
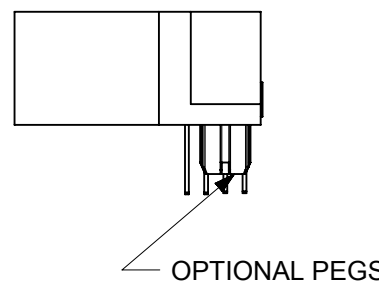
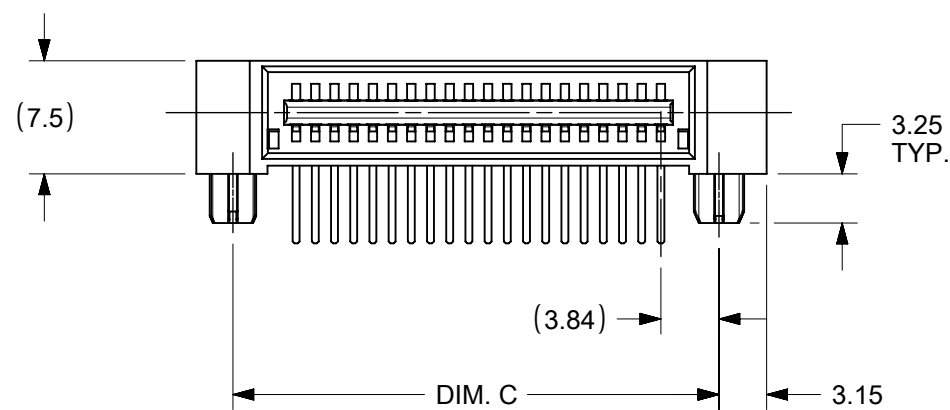
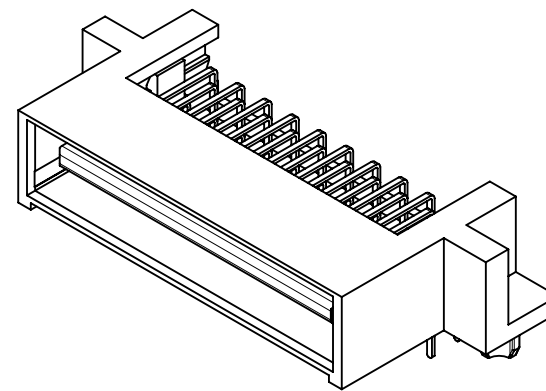
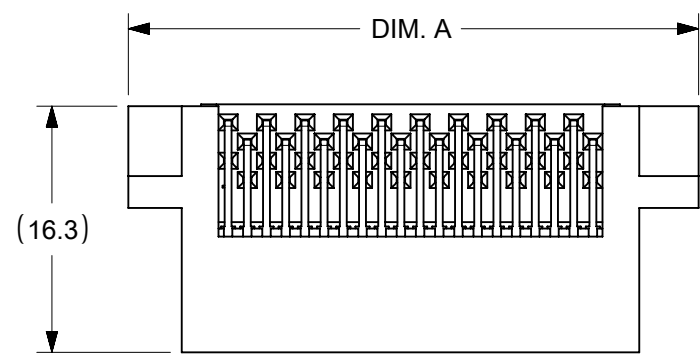
A

|         |   |                        |   |                |
|---------|---|------------------------|---|----------------|
| SYMBOLS | THIS DRAWING CONTAINS INFORMATION THAT IS PROPRIETARY TO MOLEX ELECTRONIC TECHNOLOGIES, LLC AND SHOULD NOT BE USED WITHOUT WRITTEN PERMISSION |                        |   |                |
|         | DIMENSION UNITS   | SCALE                  | CURRENT REV DESC: CIRCUIT NO. 1 AND 2 ON PCB ARE CORRECTED  |                |
| ▽ = 0   | mm  | 2:1                    | EC NO: 676774<br>DRWN: CHETAB 2021/09/02<br>CHK'D: MBELLE 2021/09/07<br>APPR: HTHYAGARAJ 2021/09/09 |                |
| ▽ = 0   | GENERAL TOLERANCES (UNLESS SPECIFIED)   |                        |   |                |
| ▽ = 0   |   | MM INCH                |   |                |
| ▽ = 0   | 4 PLACES ±  | ±                      |   |                |
| ▽ = 0   | 3 PLACES ±  | ±                      |   |                |
| ▽ = 0   | 2 PLACES ±  | 0.25 ±                 | INITIAL REVISION:<br>DRWN: BANDURA 5/1/2006<br>APPR: PATEL 5/5/2006                                 |                |
| ▽ = 0   | 1 PLACE ±   | ±                      |   |                |
| ▽ = 0   | 0 PLACES ±  | ±                      | DOCUMENT NUMBER   | DOC TYPE       |
| ▽ = 0   | ANGULAR TOL ± 0.5°  |                        | SD-45985-483  | PSD            |
| ▽ = 0   | DRAFT WHERE APPLICABLE MUST REMAIN WITHIN DIMENSIONS  | THIRD ANGLE PROJECTION | MATERIAL NUMBER   | CUSTOMER       |
| ▽ = 0   |   |                        | SEE CHART   | GENERAL MARKET |
|         |   |                        | SHEET NUMBER  |                |
|         |   |                        | 2 OF 5  |                |

|                 |    |              |            |          |
|-----------------|----|--------------|------------|----------|
| DOCUMENT STATUS | P1 | RELEASE DATE | 2021/09/09 | 11:58:04 |
|-----------------|----|--------------|------------|----------|

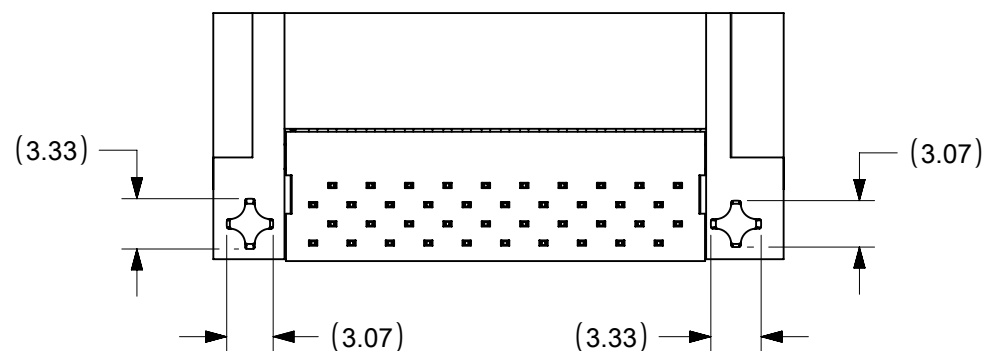
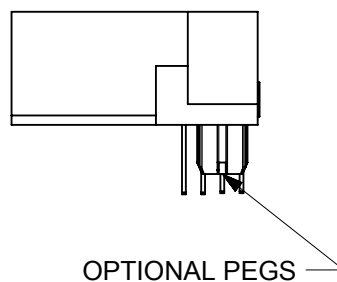
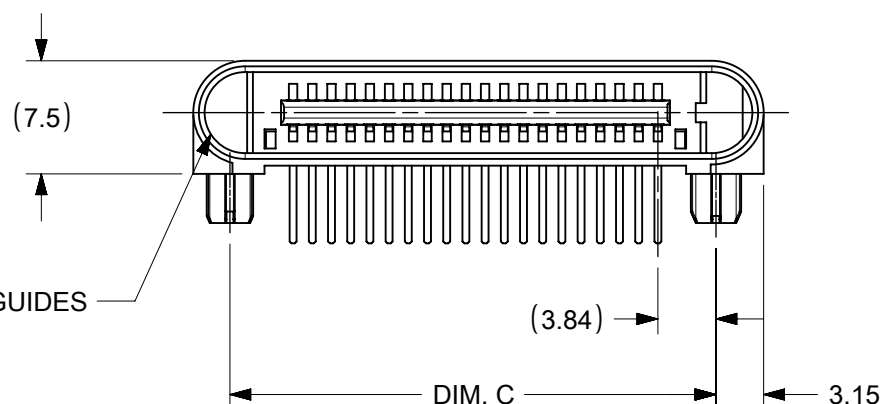
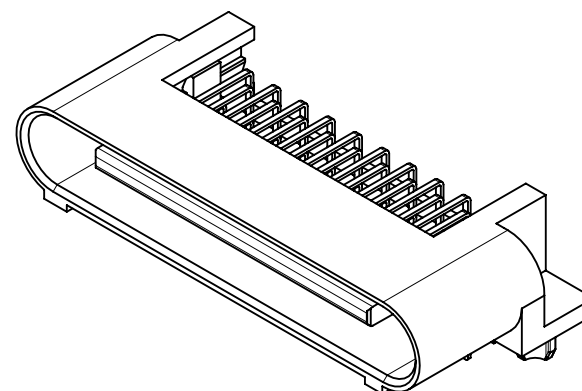
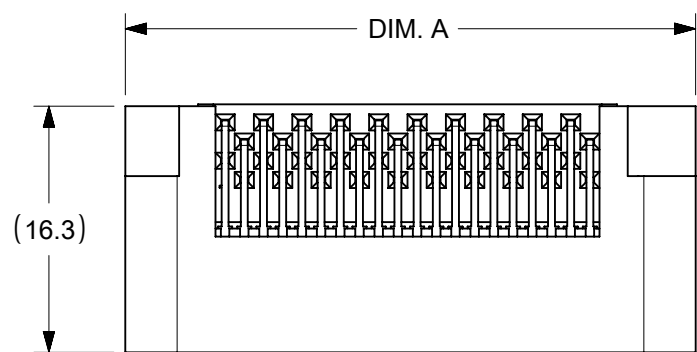
10 9 8 7 6 5 4 3 2 1

FORMAT: Eng-lega-ry-prod-B  
REVISION: D  
DATE: 2018/01/18



| NO OF SIGNAL | MATERIAL NUMBER | DIM A | DIM C | DIM P | PCB THK |
|--------------|-----------------|-------|-------|-------|---------|
| 12           | 45985-0311      | 19.9  | 14.37 | 4.50  | 3.18    |
| 16           | 45985-0321      | 22.5  | 16.91 |       |         |
| 20           | 45985-0331      | 25.0  | 19.45 |       |         |
| 24           | 45985-0341      | 27.6  | 21.99 |       |         |
| 28           | 45985-0351      | 30.1  | 24.53 |       |         |
| 32           | 45985-0361      | 32.6  | 27.07 | 3.60  | 2.36    |
| 36           | 45985-0371      | 35.2  | 29.61 |       |         |
| 40           | 45985-0381      | 37.7  | 32.15 |       |         |
| 12           | 45985-0312      | 19.9  | 14.37 |       |         |
| 16           | 45985-0322      | 22.5  | 16.91 |       |         |
| 20           | 45985-0332      | 25.0  | 19.45 | 2.90  | 1.57    |
| 24           | 45985-0342      | 27.6  | 21.99 |       |         |
| 28           | 45985-0352      | 30.1  | 24.53 |       |         |
| 32           | 45985-0362      | 32.6  | 27.07 |       |         |
| 36           | 45985-0372      | 35.2  | 29.61 |       |         |
| 40           | 45985-0382      | 37.7  | 32.15 | 2.90  | 1.57    |
| 12           | 45985-0313      | 19.9  | 14.37 |       |         |
| 16           | 45985-0323      | 22.5  | 16.91 |       |         |
| 20           | 45985-0333      | 25.0  | 19.45 |       |         |
| 24           | 45985-0343      | 27.6  | 21.99 |       |         |
| 28           | 45985-0353      | 30.1  | 24.53 | 2.90  | 1.57    |
| 32           | 45985-0363      | 32.6  | 27.07 |       |         |
| 36           | 45985-0373      | 35.2  | 29.61 |       |         |
| 40           | 45985-0383      | 37.7  | 32.15 |       |         |

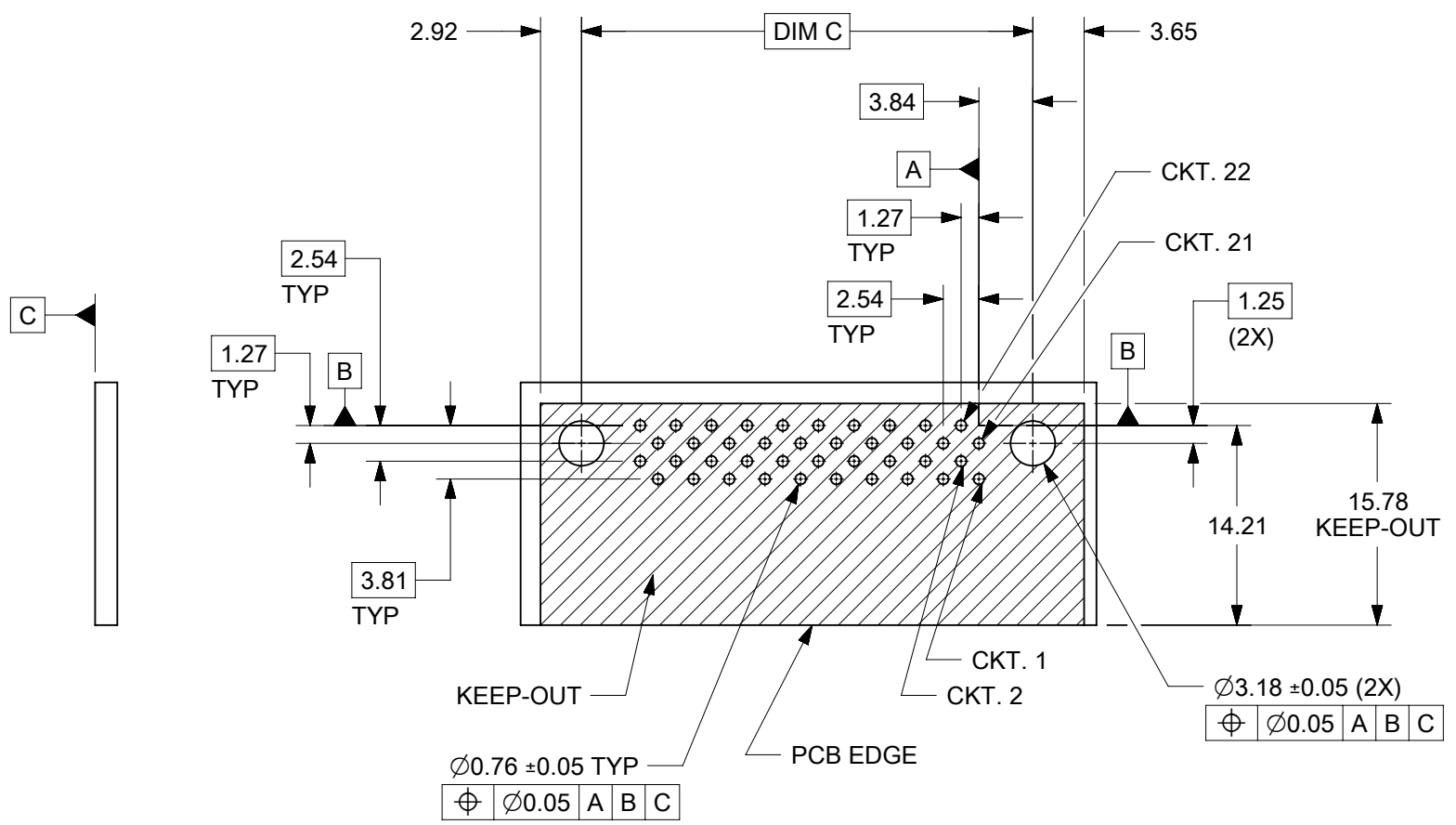
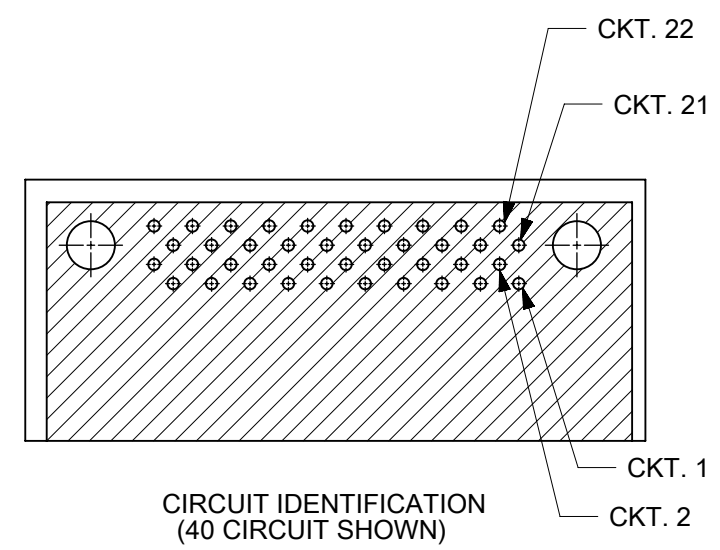
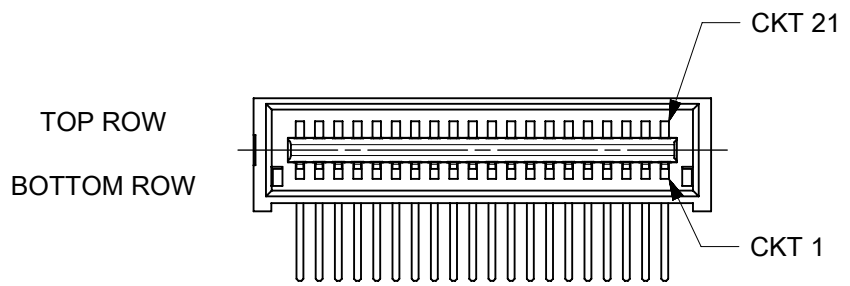
|         |   |        |   |                |   |  |                 |          |          |          |
|---------|---|--------|---|----------------|---|--|-----------------|----------|----------|----------|
| SYMBOLS | THIS DRAWING CONTAINS INFORMATION THAT IS PROPRIETARY TO MOLEX ELECTRONIC TECHNOLOGIES, LLC AND SHOULD NOT BE USED WITHOUT WRITTEN PERMISSION |        | CURRENT REV DESC: CIRCUIT NO. 1 AND 2 ON PCB ARE CORRECTED  |                | <b>molex</b>  |  |                 |          |          |          |
|         | DIMENSION UNITS   | SCALE  |   |                |   |  |                 |          |          |          |
| ▽ = 0   | mm  | 2:1    | EC NO: 676774<br>DRWN: CHETAB 2021/09/02<br>CHK'D: MBELLE 2021/09/07<br>APPR: HTHYAGARAJ 2021/09/09 |                | PRODUCT CUSTOMER DRAWING  |  |                 |          |          |          |
| ▽ = 0   | GENERAL TOLERANCES (UNLESS SPECIFIED)   |        |   |                |   |  |                 |          |          |          |
| ▽ = 0   |   |        |   |                | INITIAL REVISION:<br>DRWN: BANDURA 5/1/2006<br>APPR: PATEL 5/5/2006 |  | DOCUMENT NUMBER | DOC TYPE | DOC PART | REVISION |
| ▽ = 0   | 4 PLACES ±  | ±      |   |                |   |  | SD-45985-483    | PSD      | 001      | D1       |
| ▽ = 0   | 3 PLACES ±  | ±      |   |                |   |  | MATERIAL NUMBER |          | CUSTOMER |          |
| ▽ = 0   | 2 PLACES ±  | ± 0.25 | SEE CHART   | GENERAL MARKET | 3 OF 5  |  |                 |          |          |          |
| ▽ = 0   | 1 PLACE ±   | ±      | DRAFT WHERE APPLICABLE MUST REMAIN WITHIN DIMENSIONS  |                | THIRD ANGLE PROJECTION  |  | DRAWING         |          | SERIES   |          |
| ▽ = 0   | 0 PLACES ±  | ±      | B-SIZE  |                | 45985   |  |                 |          |          |          |
| ▽ = 0   | ANGULAR TOL   | ± 0.5° |   |                |   |  |                 |          |          |          |



| NO OF SIGNAL | MATERIAL NUMBER | DIM A | DIM C | DIM P | PCB THK |
|--------------|-----------------|-------|-------|-------|---------|
| 12           | 45985-0411      | 19.9  | 14.37 | 4.50  | 3.18    |
| 16           | 45985-0421      | 22.5  | 16.91 |       |         |
| 20           | 45985-0431      | 25.0  | 19.45 |       |         |
| 24           | 45985-0441      | 27.6  | 21.99 |       |         |
| 28           | 45985-0451      | 30.1  | 24.53 |       |         |
| 32           | 45985-0461      | 32.6  | 27.07 |       |         |
| 36           | 45985-0471      | 35.2  | 29.61 |       |         |
| 40           | 45985-0481      | 37.7  | 32.15 |       |         |
| 12           | 45985-0412      | 19.9  | 14.37 | 3.60  | 2.36    |
| 16           | 45985-0422      | 22.5  | 16.91 |       |         |
| 20           | 45985-0432      | 25.0  | 19.45 |       |         |
| 24           | 45985-0442      | 27.6  | 21.99 |       |         |
| 28           | 45985-0452      | 30.1  | 24.53 |       |         |
| 32           | 45985-0462      | 32.6  | 27.07 |       |         |
| 36           | 45985-0472      | 35.2  | 29.61 |       |         |
| 40           | 45985-0482      | 37.7  | 32.15 |       |         |
| 12           | 45985-0413      | 19.9  | 14.37 | 2.90  | 1.57    |
| 16           | 45985-0423      | 22.5  | 16.91 |       |         |
| 20           | 45985-0433      | 25.0  | 19.45 |       |         |
| 24           | 45985-0443      | 27.6  | 21.99 |       |         |
| 28           | 45985-0453      | 30.1  | 24.53 |       |         |
| 32           | 45985-0463      | 32.6  | 27.07 |       |         |
| 36           | 45985-0473      | 35.2  | 29.61 |       |         |
| 40           | 45985-0483      | 37.7  | 32.15 |       |         |

|   |   |  |  |  |  |
|---|---|--|--|--|--|
| <b>SYMBOLS</b><br>DIMENSION UNITS: mm<br>SCALE: 2:1<br>GENERAL TOLERANCES (UNLESS SPECIFIED):<br>4 PLACES ±<br>3 PLACES ±<br>2 PLACES ± 0.25<br>1 PLACE ±<br>0 PLACES ±<br>ANGULAR TOL ± 0.5°<br>DRAFT WHERE APPLICABLE MUST REMAIN WITHIN DIMENSIONS<br>THIRD ANGLE PROJECTION<br>DRAWING SERIES: B-SIZE 45985 | THIS DRAWING CONTAINS INFORMATION THAT IS PROPRIETARY TO MOLEX ELECTRONIC TECHNOLOGIES, LLC AND SHOULD NOT BE USED WITHOUT WRITTEN PERMISSION<br>CURRENT REV DESC: CIRCUIT NO. 1 AND 2 ON PCB ARE CORRECTED<br>EC NO: 676774<br>DRWN: CHETAB 2021/09/02<br>CHK'D: MBELLE 2021/09/07<br>APPR: HTHYAGARAJ 2021/09/09<br>INITIAL REVISION:<br>DRWN: BANDURA 5/1/2006<br>APPR: PATEL 5/5/2006 |  | <br>LPH PLUG ASSEMBLY SIGNAL CONNECTOR<br>PRODUCT CUSTOMER DRAWING |  |  |
|   | DOCUMENT NUMBER: SD-45985-483<br>DOC TYPE: PSD<br>DOC PART: 001<br>REVISION: D1   |  |  |  |  |
|   | MATERIAL NUMBER: SEE CHART<br>CUSTOMER: GENERAL MARKET<br>SHEET NUMBER: 4 OF 5  |  |  |  |  |

| NO OF SIGNAL | DIM C |
|--------------|-------|
| 12           | 14.37 |
| 16           | 16.91 |
| 20           | 19.45 |
| 24           | 21.99 |
| 28           | 24.53 |
| 32           | 27.07 |
| 36           | 29.61 |
| 40           | 32.15 |



RECOMMENDED PCB LAYOUT SHOWN FROM COMPONENT SIDE

|  |   |  |   |                                    |                                      |  |
|--|---|--|---|------------------------------------|--------------------------------------|--|
| <b>SYMBOLS</b><br>= 0<br>= 0<br>= 0<br>= 0<br>= 0<br>= 0<br>= 0<br>= 0 | THIS DRAWING CONTAINS INFORMATION THAT IS PROPRIETARY TO MOLEX ELECTRONIC TECHNOLOGIES, LLC AND SHOULD NOT BE USED WITHOUT WRITTEN PERMISSION |  | <b>molex</b>  |                                    |                                      |  |
|  | DIMENSION UNITS: <b>mm</b><br>SCALE: <b>2:1</b>   | CURRENT REV DESC: CIRCUIT NO. 1 AND 2 ON PCB ARE CORRECTED |   | LPH PLUG ASSEMBLY SIGNAL CONNECTOR |                                      |  |
|  | GENERAL TOLERANCES (UNLESS SPECIFIED)   |  | EC NO: 676774<br>DRWN: CHETAB 2021/09/02<br>CHK'D: MBELLE 2021/09/07<br>APPR: HTHYAGARAJ 2021/09/09 |                                    | PRODUCT CUSTOMER DRAWING             |  |
|  | 4 PLACES ±<br>3 PLACES ±<br>2 PLACES ± 0.25 ±<br>1 PLACE ±<br>0 PLACES ±  | MM INCH<br>± ±<br>± ±<br>± ±                               | INITIAL REVISION:<br>DRWN: BANDURA 5/1/2006<br>APPR: PATEL 5/5/2006                                 |                                    | DOCUMENT NUMBER: <b>SD-45985-483</b> | DOC TYPE: PSD<br>DOC PART: 001<br>REVISION: D1 |
| ANGULAR TOL ± 0.5°   |   | DRAFT WHERE APPLICABLE MUST REMAIN WITHIN DIMENSIONS       | THIRD ANGLE PROJECTION  | DRAWING: B-SIZE                    | SERIES: 45985                        |  |
| MATERIAL NUMBER: SEE CHART   |   | CUSTOMER: GENERAL MARKET                                   |   | SHEET NUMBER: 5 OF 5               |                                      |  |