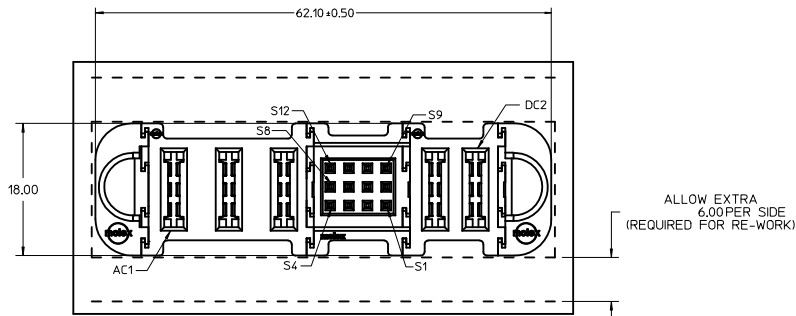
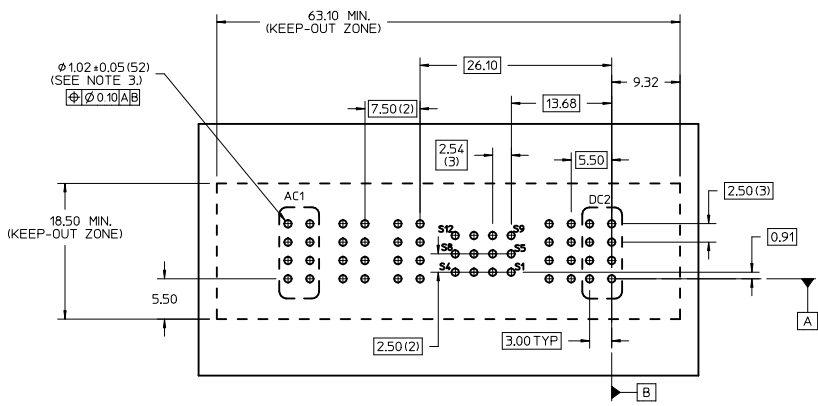
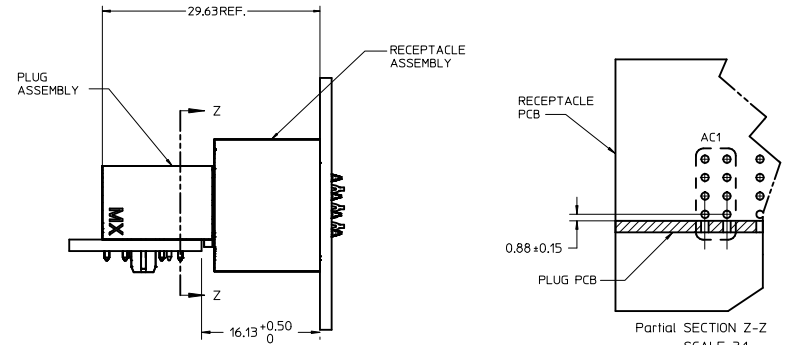


P/N: 46562-1079



ALLOW EXTRA 6.00 PER SIDE (REQUIRED FOR RE-WORK)

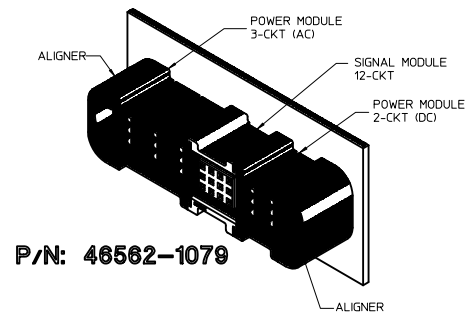
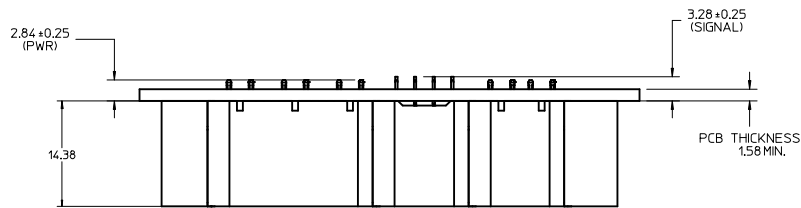


RECOMMENDED PCB LAYOUT AND KEEP-OUT ZONE

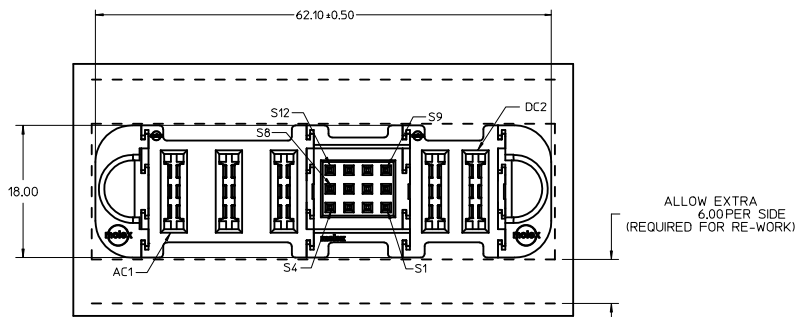
NOTES:

- MATERIAL:
  - HOUSINGS: LCP UL94 V-0, COLOR: BLACK.
  - TERMINALS: COPPER ALLOY.
  - PLATING: 0.000127 NICKEL OVERALL WITH 0.00254 SELECTIVE MATTE TIN ON COMPLIANT PINS.
- AND 0.000762 SELECTIVE GOLD ON CONTACT AREA.
- PACKAGING ASSEMBLIES TO BE TRAY PACKED. STD. QUANTITY: TBD.
- PC BOARD REQUIRES SOLDER THRU HOLES. REFER TO PS-46436-100 FOR DETAILS.
- PRODUCT SPEC: PS-46436-100.
- APPLICATION SPEC: AS-46436-100.
- PRODUCT TO MEET RoHS REQUIREMENTS.
- ASSEMBLY MATES WITH MOLEX PLUG ASSEMBLY, P/N 46437-1079.

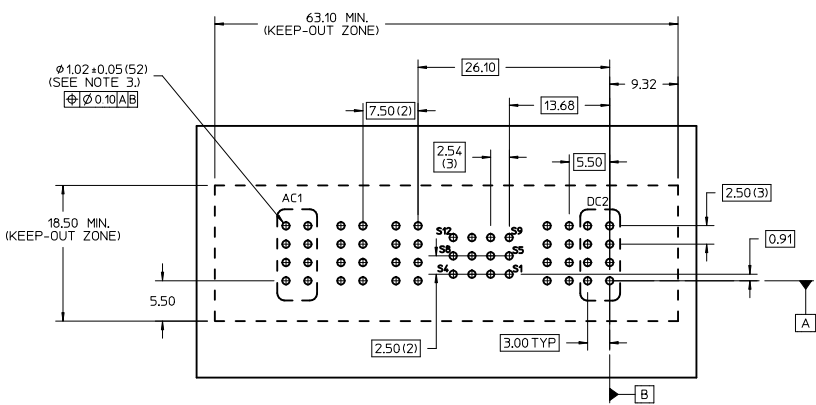
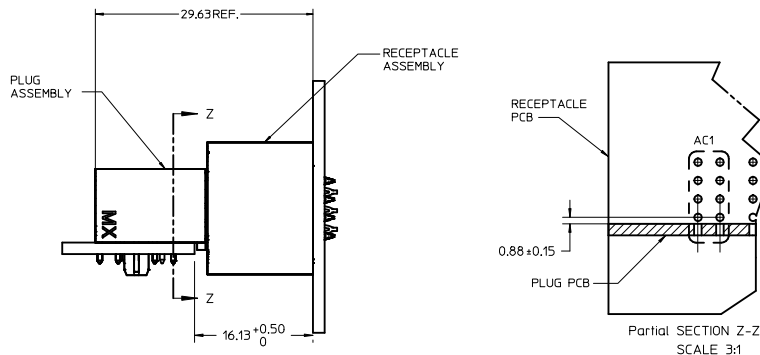
<b>RELEASED</b> IEC NO. UCF2010-0330 DRAWN: BKOSTIC 2009/08/04 CHYD: 2009/08/26 APPR: APATEL 2009/08/27	QUALITY SYMBOLS	GENERAL TOLERANCES (UNLESS SPECIFIED)		DIMENSION STYLE <b>MM ONLY</b>		SCALE <b>3:1</b>	DESIGN UNITS <b>METRIC</b>	THIRD ANGLE PROJECTION
		mm	INCH	DRAWN BY BKOSTIC		DATE 2009/07/14	TITLE <b>VERTICAL RECEPTACLE ASSY 3AC-12C-2DC TEN60 POWER FAMILY</b>	
		4 PLACES ± --- ± ---		CHECKED BY BKOSTIC		DATE 2009/08/04	MOLEX INCORPORATED	
		3 PLACES ± --- ± .010		APPROVED BY JCOMERCI		DATE 2009/07/21	MATERIAL NO. <b>46562-1079</b>	
		2 PLACES ± 0.25 ± .010		DOCUMENT NO. <b>SD-46562-1079</b>		SHEET NO. 1 OF 1		
		1 PLACE ± 0.25 ± ---		DRAFT WHERE APPLICABLE MUST REMAIN WITHIN DIMENSIONS				
		ANGULAR ± 1/2°		SIZE <b>D</b> THIS DRAWING CONTAINS INFORMATION THAT IS PROPRIETARY TO MOLEX INCORPORATED AND SHOULD NOT BE USED WITHOUT WRITTEN PERMISSION				



P/N: 46562-1079



ALLOW EXTRA 6.00 PER SIDE (REQUIRED FOR RE-WORK)



RECOMMENDED PCB LAYOUT AND KEEP-OUT ZONE

NOTES:

- MATERIAL:
  - HOUSINGS: LCP UL94 V-0, COLOR: BLACK.
  - TERMINALS: COPPER ALLOY.
  - PLATING: 0.000127 NICKEL OVERALL WITH 0.00254 SELECTIVE MATTE TIN ON COMPLIANT PINS.
- AND 0.000762 SELECTIVE GOLD ON CONTACT AREA.
- PACKAGING ASSEMBLIES TO BE TRAY PACKED. STD. QUANTITY: TBD.
- PC BOARD REQUIRES SOLDER THRU HOLES. REFER TO PS-46436-100 FOR DETAILS.
- PRODUCT SPEC: PS-46436-100.
- APPLICATION SPEC: AS-46436-100.
- PRODUCT TO MEET RoHS REQUIREMENTS.
- ASSEMBLY MATES WITH MOLEX PLUG ASSEMBLY, P/N 46437-1079.

<b>RELEASED</b> IEC NO. UCF2010-0330 DRAWN: BKOSTIC 2009/08/04 CHYD: 2009/08/26 APPR: APATEL 2009/08/27 REV DESCRIPTION	QUALITY SYMBOLS	GENERAL TOLERANCES (UNLESS SPECIFIED)	DIMENSION STYLE MM ONLY	SCALE 3:1	DESIGN UNITS METRIC	THIRD ANGLE PROJECTION
		mm INCH	DRAWN BY BKOSTIC	DATE 2009/07/14	TITLE VERTICAL RECEPTACLE ASSY 3AC-12C-2DC TEN60 POWER FAMILY	
		4 PLACES ± --- ± ---	CHECKED BY BKOSTIC	DATE 2009/08/04	MOLEX INCORPORATED	
		3 PLACES ± --- ± .010	APPROVED BY JCOMERCI	DATE 2009/07/21	MATERIAL NO. 46562-1079	
	2 PLACES ± 0.25 ± .010			DOCUMENT NO. SD-46562-1079		
	1 PLACE ± 0.25 ± ---			SHEET NO. 1 OF 1		
	ANGULAR ± 1/2°			THIS DRAWING CONTAINS INFORMATION THAT IS PROPRIETARY TO MOLEX INCORPORATED AND SHOULD NOT BE USED WITHOUT WRITTEN PERMISSION		
		DRAFT WHERE APPLICABLE MUST REMAIN WITHIN DIMENSIONS				