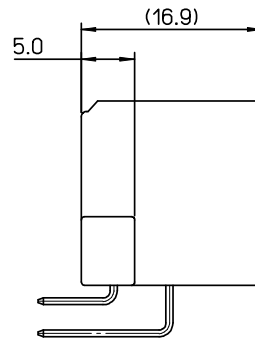
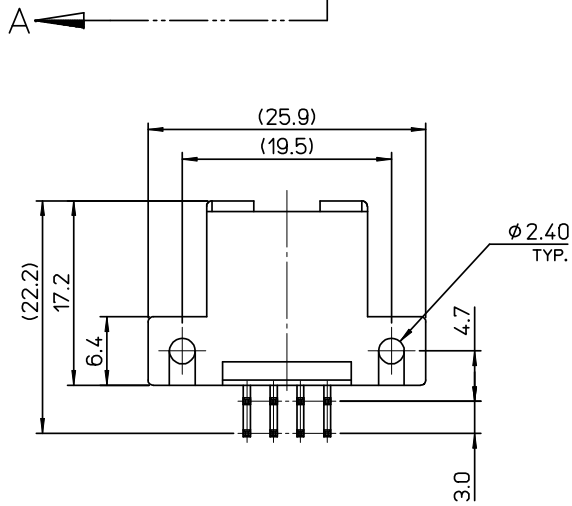


RECOMMENDED P.C.B HOLD DIM.(MOUNT SIDE)



NOTES

1. APPLICABLE FEMALE HOUSING : 68508-081*

NO.	DESCRIPTION	MATERIAL	REMARK
1	HOUSING	POLYESTER, G/F 15%	UL94HB
2	PIN(L)	BRASS	PRE-TIN PLATED
3	PIN(S)		

NO.	ENG NO.	MATERIAL NO.	REMARK
1	68145-0821	681450821	BLACK
2	68145-0825	681450825	GRAY
3	68145-0826	681450826	WHITE

REVISED	EC NO: KOR2008-0116	2008/01/31
	DRW:NEOKIM	2008/02/14
	CHKD:BCYOON	2008/02/14
	APPR:YUNSIKKIM	2008/02/14

QUALITY SYMBOLS	DESCRIPTION
▽=0	
▽=0	

GENERAL TOLERANCES (UNLESS SPECIFIED)	
	mm
	INCH
4 PLACES	± 0.25
3 PLACES	± 0.30
2 PLACES	± 0.30
1 PLACE	± 0.30
ANGULAR ± 1°	
DRAFT WHERE APPLICABLE MUST REMAIN WITHIN DIMENSIONS	

DIMENSION STYLE	
MM ONLY	
DRAWN BY	DATE
BCYOON	2002/08/05
CHECKED BY	DATE
YSIKKIM	2002/08/05
APPROVED BY	DATE
CWLEE	2002/08/05
MATERIAL NO.	
SEE TABLE	

SCALE	DESIGN UNITS	THIRD ANGLE PROJECTION
2:1	METRIC	
TITLE		
040 WIRE TO BOARD CONN. 8P HEADER ASS'Y-R/A(HZT)		
MATERIAL NO.		SHEET NO.
SEE TABLE		1 OF 1
DOCUMENT NO.		
SD-68145-308		
THIS DRAWING CONTAINS INFORMATION THAT IS PROPRIETARY TO MOLEX INCORPORATED AND SHOULD NOT BE USED WITHOUT WRITTEN PERMISSION		