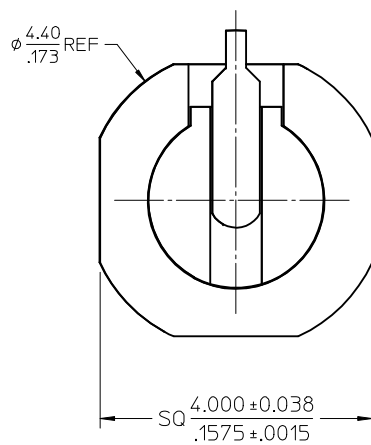
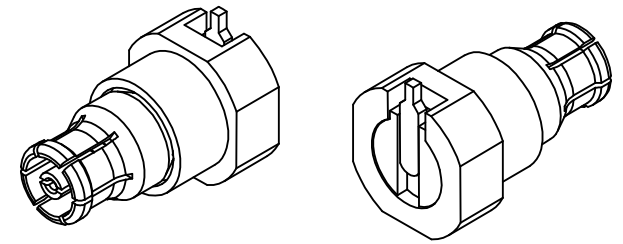


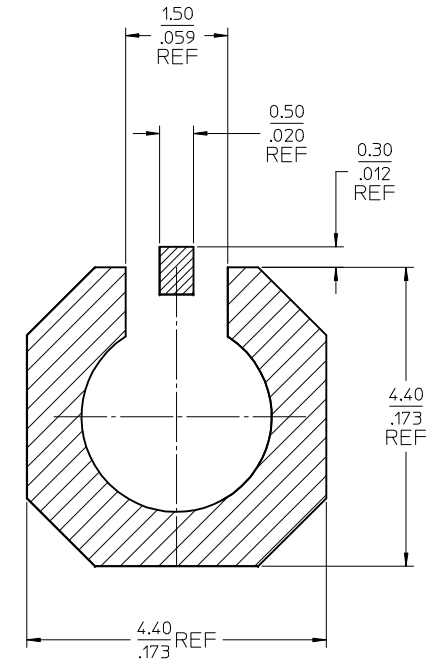
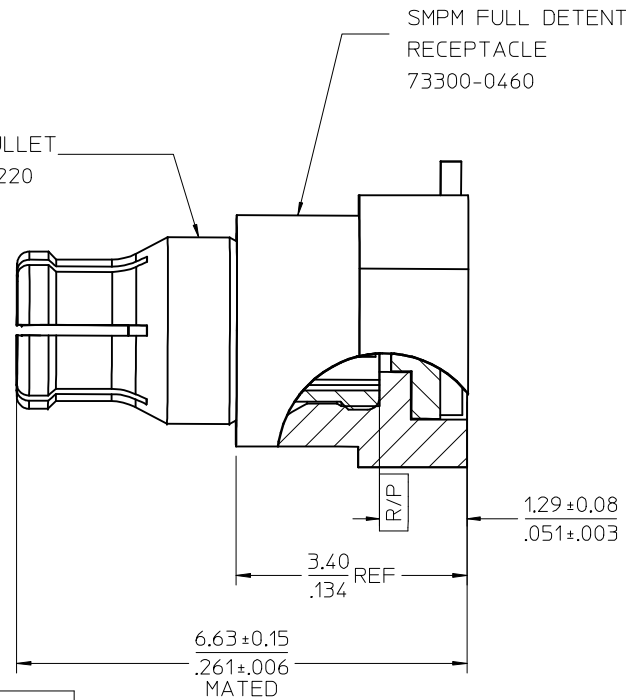
MATERIALS AND FINISHES:

SMPM PCB FULL DETENT RECEPTACLE:  
SEE: SD-73300-046.

SMPM BULLET:  
SEE: SD-73300-022.



SMPM BULLET  
73300-0220



RECOMMENDED  
PCB LAYOUT

|            |                                |
|------------|--------------------------------|
| 73300-0572 | TAPE AND REEL WITH KAPTON TAPE |
| 73300-0571 | TAPE AND REEL (800 PCS)        |
| 73300-0570 | TRAY PACK                      |
| PART NO.   | DESCRIPTION                    |

| CHG: ADD TOLERANCE TO DIM 1.29/.051 IN E5 ZONE & DIM 6.63/.261 IN D7/8 ZONE.<br>EC NO: URF2017-0389<br>DRW: APRKASHO1 2017/05/18<br>CHK: HBB 2017/05/18<br>APPR: AROBERTSON 2017/06/26<br>A1 | QUALITY SYMBOLS<br>∇=0<br>∇=0<br>∇=0 | GENERAL TOLERANCES (UNLESS SPECIFIED)<br><table border="1"> <tr> <th></th> <th>mm</th> <th>INCH</th> </tr> <tr> <td>4 PLACES</td> <td>± .025</td> <td>± .002</td> </tr> <tr> <td>3 PLACES</td> <td>± .025</td> <td>± .002</td> </tr> <tr> <td>2 PLACES</td> <td>± .050</td> <td>± .010</td> </tr> <tr> <td>1 PLACE</td> <td>± .254</td> <td>± .025</td> </tr> <tr> <td>0 PLACE</td> <td>± .---</td> <td>± .---</td> </tr> </table> |   | mm                 | INCH  | 4 PLACES | ± .025 | ± .002 | 3 PLACES | ± .025 | ± .002 | 2 PLACES | ± .050 | ± .010 | 1 PLACE | ± .254 | ± .025 | 0 PLACE | ± .--- | ± .--- | DIMENSION STYLE<br>MM/IN | SCALE<br>METRIC | DESIGN UNITS<br>METRIC | THIRD ANGLE PROJECTION |
|--|--------------------------------------|--|---|--------------------|---|----------|--------|--------|----------|--------|--------|----------|--------|--------|---------|--------|--------|---------|--------|--------|--------------------------|-----------------|------------------------|------------------------|
|  |                                      | mm   | INCH  |                    |   |          |        |        |          |        |        |          |        |        |         |        |        |         |        |        |                          |                 |                        |                        |
|  | 4 PLACES                             | ± .025   | ± .002  |                    |   |          |        |        |          |        |        |          |        |        |         |        |        |         |        |        |                          |                 |                        |                        |
|  | 3 PLACES                             | ± .025   | ± .002  |                    |   |          |        |        |          |        |        |          |        |        |         |        |        |         |        |        |                          |                 |                        |                        |
| 2 PLACES   | ± .050                               | ± .010   |   |                    |   |          |        |        |          |        |        |          |        |        |         |        |        |         |        |        |                          |                 |                        |                        |
| 1 PLACE  | ± .254                               | ± .025   |   |                    |   |          |        |        |          |        |        |          |        |        |         |        |        |         |        |        |                          |                 |                        |                        |
| 0 PLACE  | ± .---                               | ± .---   |   |                    |   |          |        |        |          |        |        |          |        |        |         |        |        |         |        |        |                          |                 |                        |                        |
| DRAFT WHERE APPLICABLE MUST REMAIN WITHIN DIMENSIONS   |                                      | ANGULAR ± 2°   | DRAWN BY<br>JLEE02  | DATE<br>2014/11/11 | TITLE<br>SMPM KIT, P SMT PCB FD WITH BULLET INSTALLED<br>EWR-5485 SMPM-PCB/BULLET |          |        |        |          |        |        |          |        |        |         |        |        |         |        |        |                          |                 |                        |                        |
|  |                                      | MATERIAL NO.<br>SEE TABLE  | APPROVED BY<br>AROBERTSON   | DATE<br>2015/03/27 | DOCUMENT NO.<br>SD-73300-057  |          |        |        |          |        |        |          |        |        |         |        |        |         |        |        |                          |                 |                        |                        |
|  |                                      | SIZE<br>C  | THIS DRAWING CONTAINS INFORMATION THAT IS PROPRIETARY TO MOLEX INCORPORATED AND SHOULD NOT BE USED WITHOUT WRITTEN PERMISSION |                    |   |          |        |        |          |        |        |          |        |        |         |        |        |         |        |        |                          |                 |                        |                        |