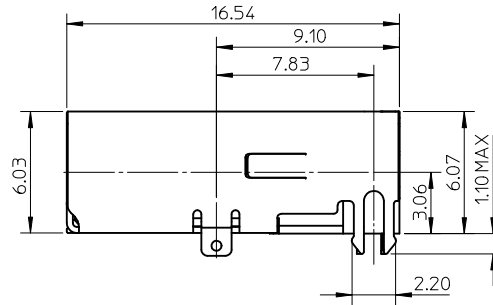
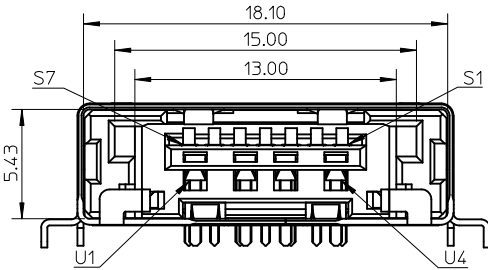


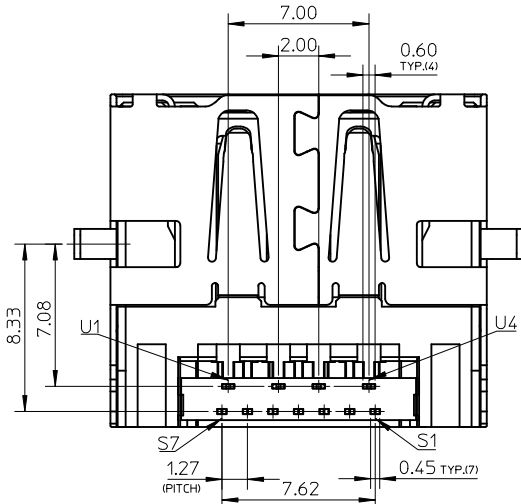
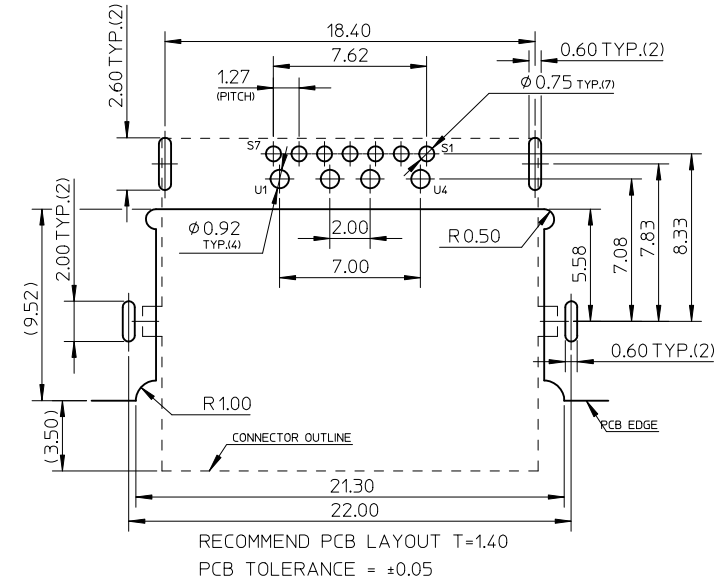
NOTES:

- MATERIAL:
  - HOUSING: HIGH TEMPERATURE THERMOPLASTIC, 30% GLASS FILLED, BLACK, UL94V-0.
  - TAIL GUIDER: HIGH TEMPERATURE THERMOPLASTIC, 30% GLASS FILLED, BLACK, UL94V-0.
  - TERMINAL-1: COPPER ALLOY.
  - TERMINAL-2: COPPER ALLOY.
  - METAL SHELL: STAINLESS STEEL.
- TERMINAL PLATING:
  - CONTACT AREA: GOLD PLATING. SEE TABLE
  - SOLDER AREA: MATTE TIN PLATING, 2.0 MICROMETERS MINIMUM.
  - UNDER PLATING: NICKEL PLATING, 2.0 MICROMETERS MINIMUM.
- METAL SHELL PLATING: SOLDERABLE NICKEL PLATING.
- PRODUCT SPECIFICATION: PS-47403-001.
- PACKAGE SPECIFICATION: PK-105132-100.
- PRODUCT COMPLIANT TO RoSH DIRECTIVE 2002/95/EC AND ELV DIRECTIVE 2000/53/EC.



PIN ASSIGNMENT

USB		ESATA	
NAME	TYPE	NAME	TYPE
U1	VBUS	S1	GND
U2	D-	S2	A+
U3	D+	S3	A-
U4	GND	S4	GND
		S5	B-
		S6	B+
		S7	GND



P/N	GOLD PLATING SPEC
105132-1000	GOLD FLASH
105132-1001	15u" MINIMUM
105132-1002	30u" MINIMUM

<p><b>NEW RELEASE</b> EC NO: SH2010-0291 DRAWN:GLLI 2010/02/08 CHKD:STARY SONG 2009/10/15 APPR:RZHANG 2010/02/26</p>	<p>QUALITY SYMBOLS ▽=0 ▽=0 ▽=0</p>	<p>GENERAL TOLERANCES (UNLESS SPECIFIED)</p> <table border="1"> <thead> <tr> <th></th> <th>mm</th> <th>INCH</th> </tr> </thead> <tbody> <tr> <td>4 PLACES</td> <td>±---</td> <td>±---</td> </tr> <tr> <td>3 PLACES</td> <td>±---</td> <td>±---</td> </tr> <tr> <td>2 PLACES</td> <td>±---</td> <td>±---</td> </tr> <tr> <td>1 PLACE</td> <td>±0.25</td> <td>±---</td> </tr> </tbody> </table>			mm	INCH	4 PLACES	±---	±---	3 PLACES	±---	±---	2 PLACES	±---	±---	1 PLACE	±0.25	±---	<p>DIMENSION STYLE <b>MM ONLY</b></p>	<p>SCALE <b>4:1</b></p>	<p>DESIGN UNITS <b>METRIC</b></p>	<p>THIRD ANGLE PROJECTION</p>
			mm	INCH																		
		4 PLACES	±---	±---																		
		3 PLACES	±---	±---																		
2 PLACES	±---	±---																				
1 PLACE	±0.25	±---																				
<p>DRAFT WHERE APPLICABLE MUST REMAIN WITHIN DIMENSIONS</p>		<p>DRAWN BY DIXON LI</p>	<p>DATE 2009/10/15</p>	<p>TITLE <b>COMBO OF ESATA &amp; USB TOP MOUNT, SINK TYPE</b></p>																		
<p>REV A</p>		<p>APPROVED BY RZHANG</p>	<p>DATE 2010/02/12</p>	<p><b>MOLEX INCORPORATED</b></p>																		
		<p>MATERIAL NO. <b>SEE CHART</b></p>	<p>DATE 2010/02/12</p>	<p>DOCUMENT NO. <b>SD-105132-100</b></p>	<p>SHEET NO. <b>1 OF 1</b></p>																	