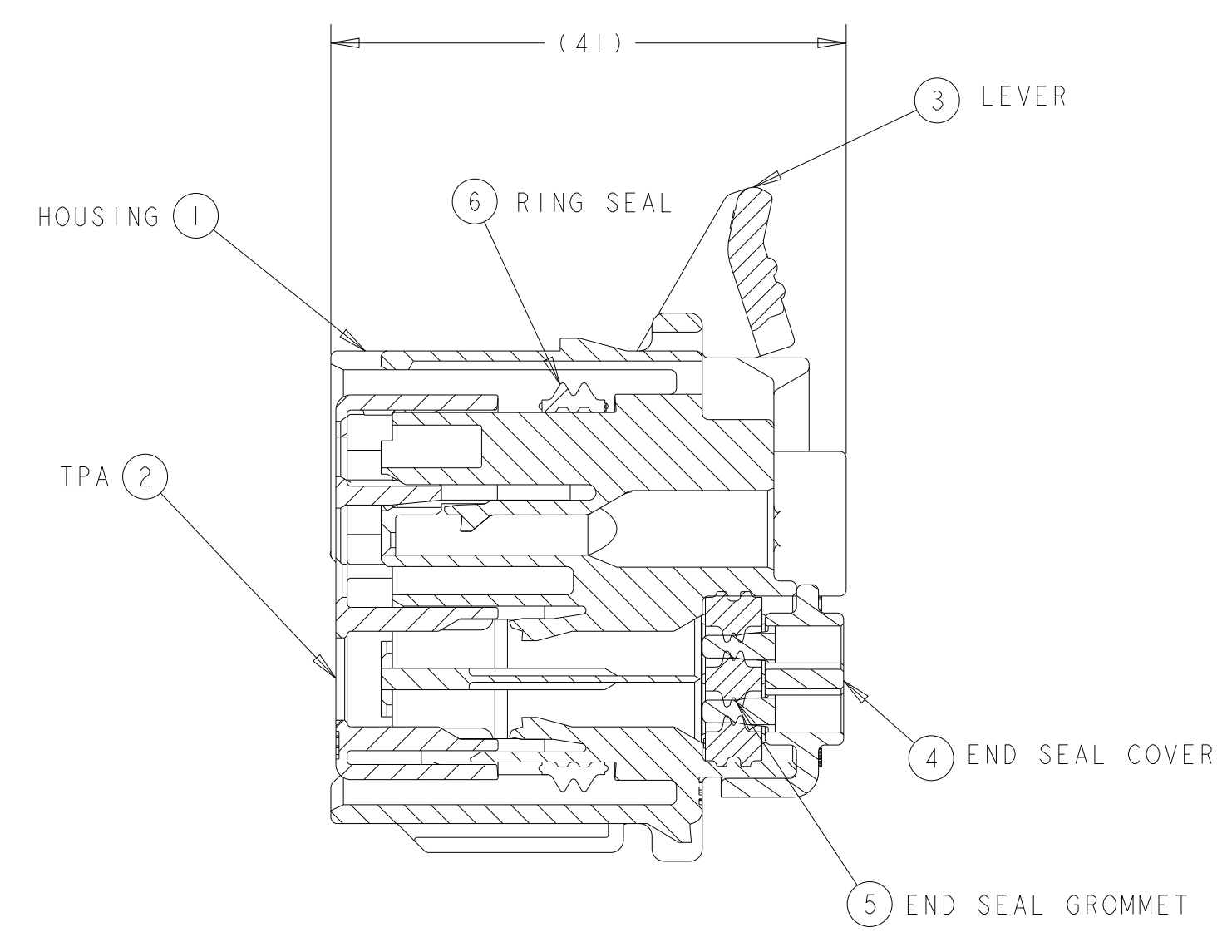
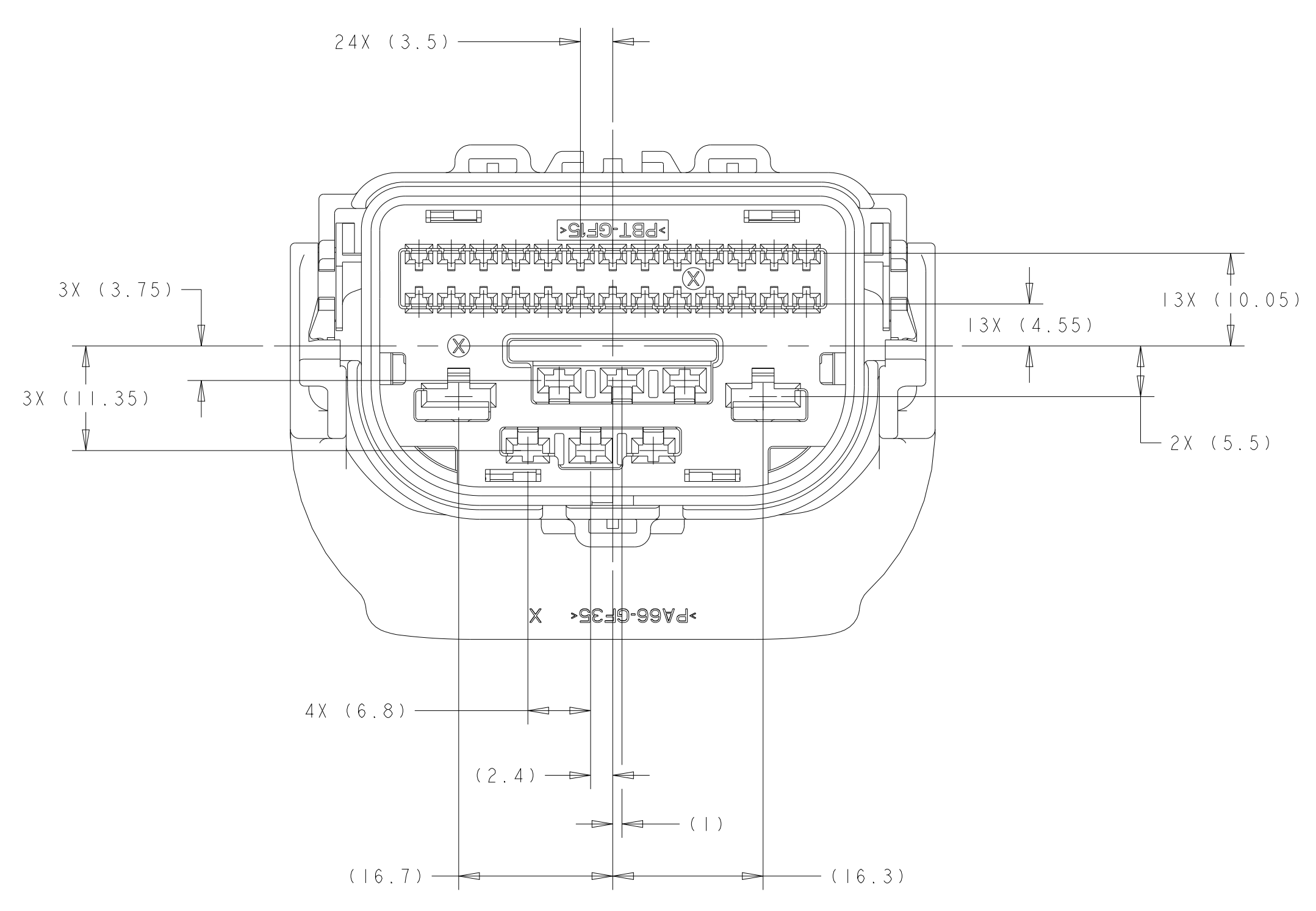
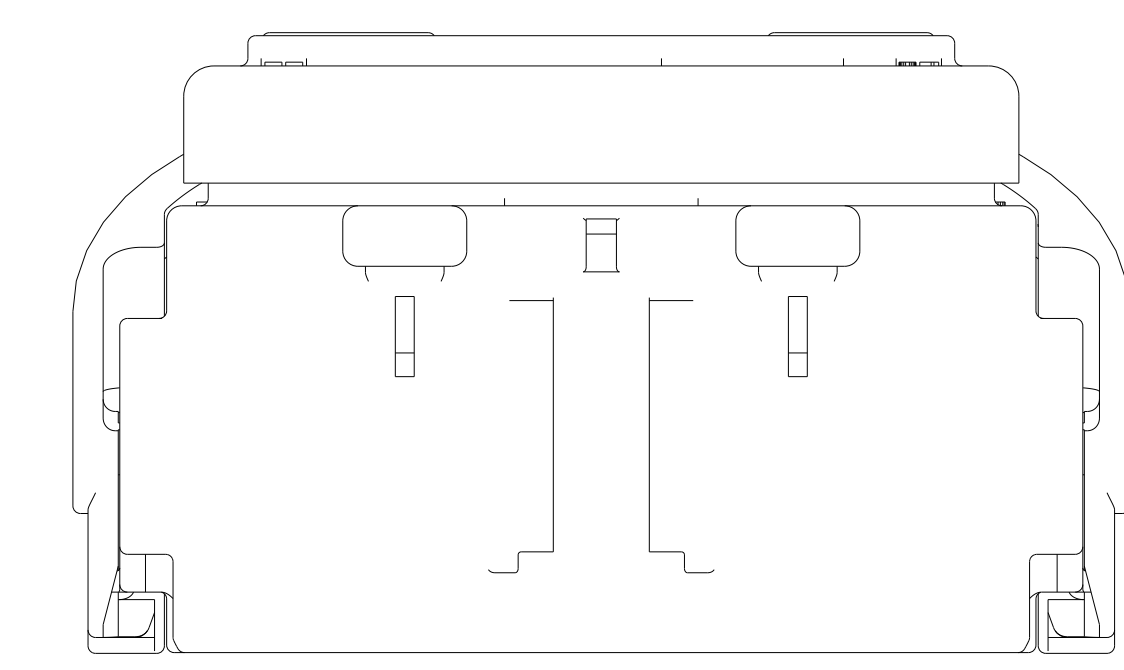
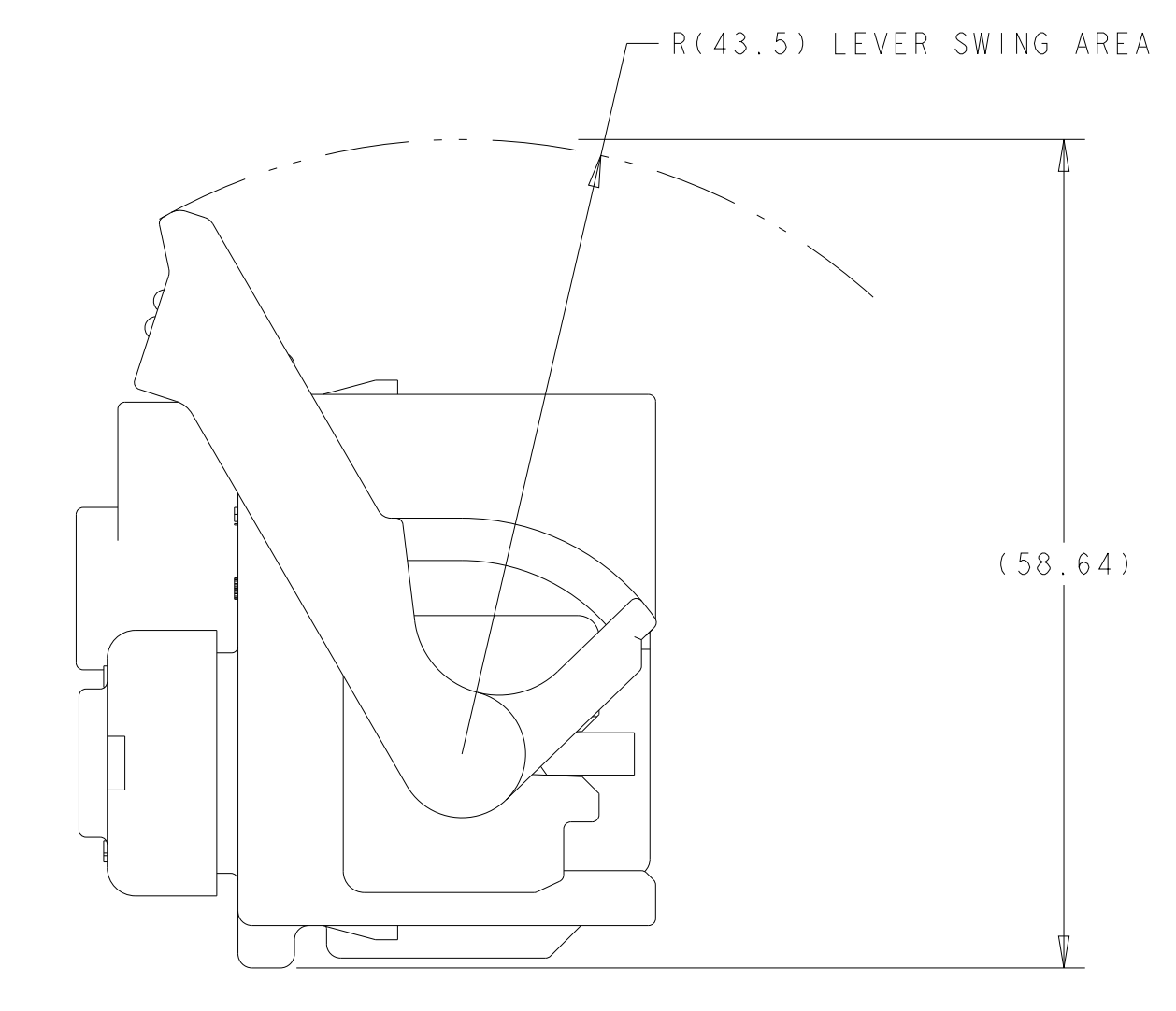
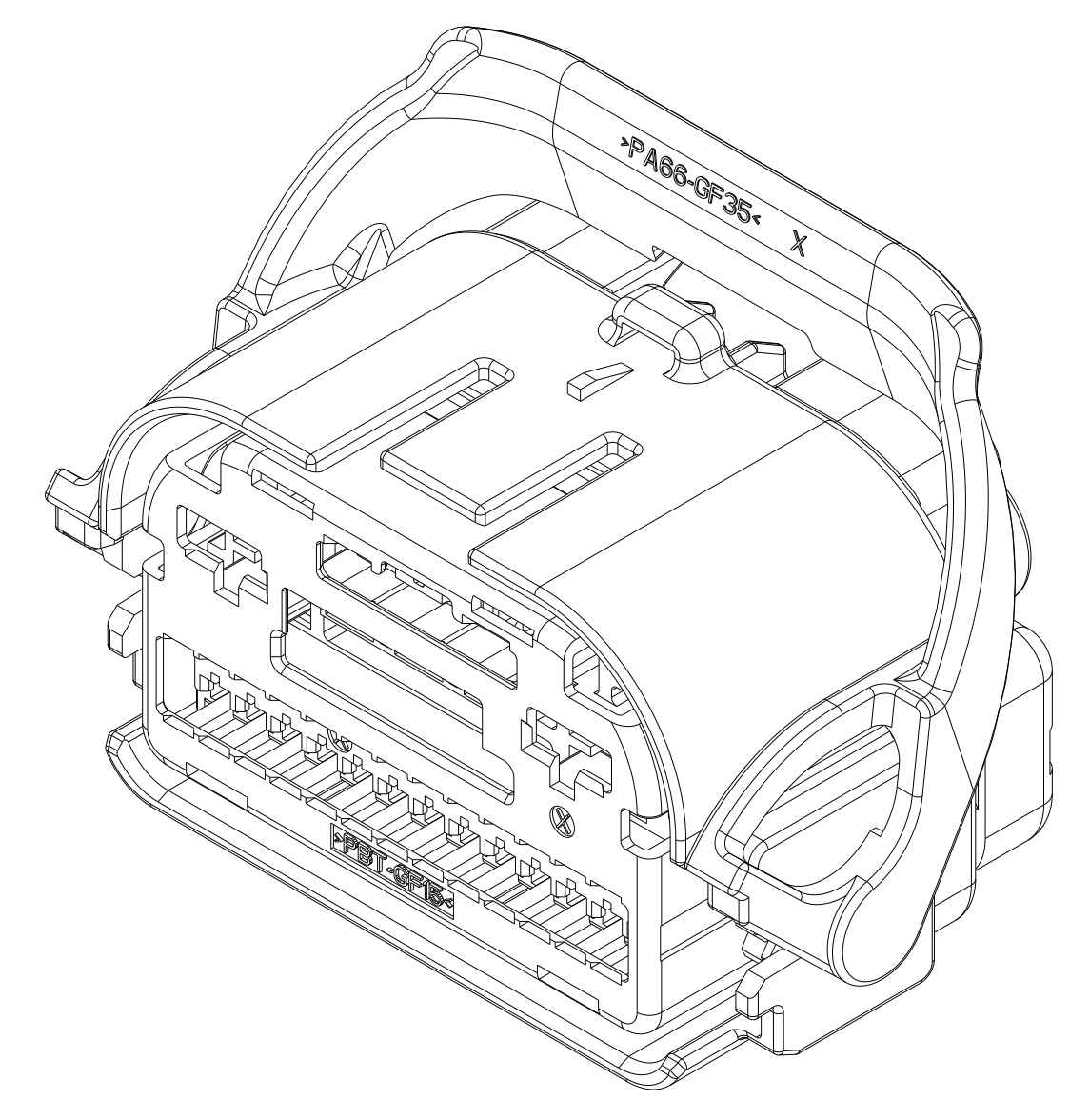
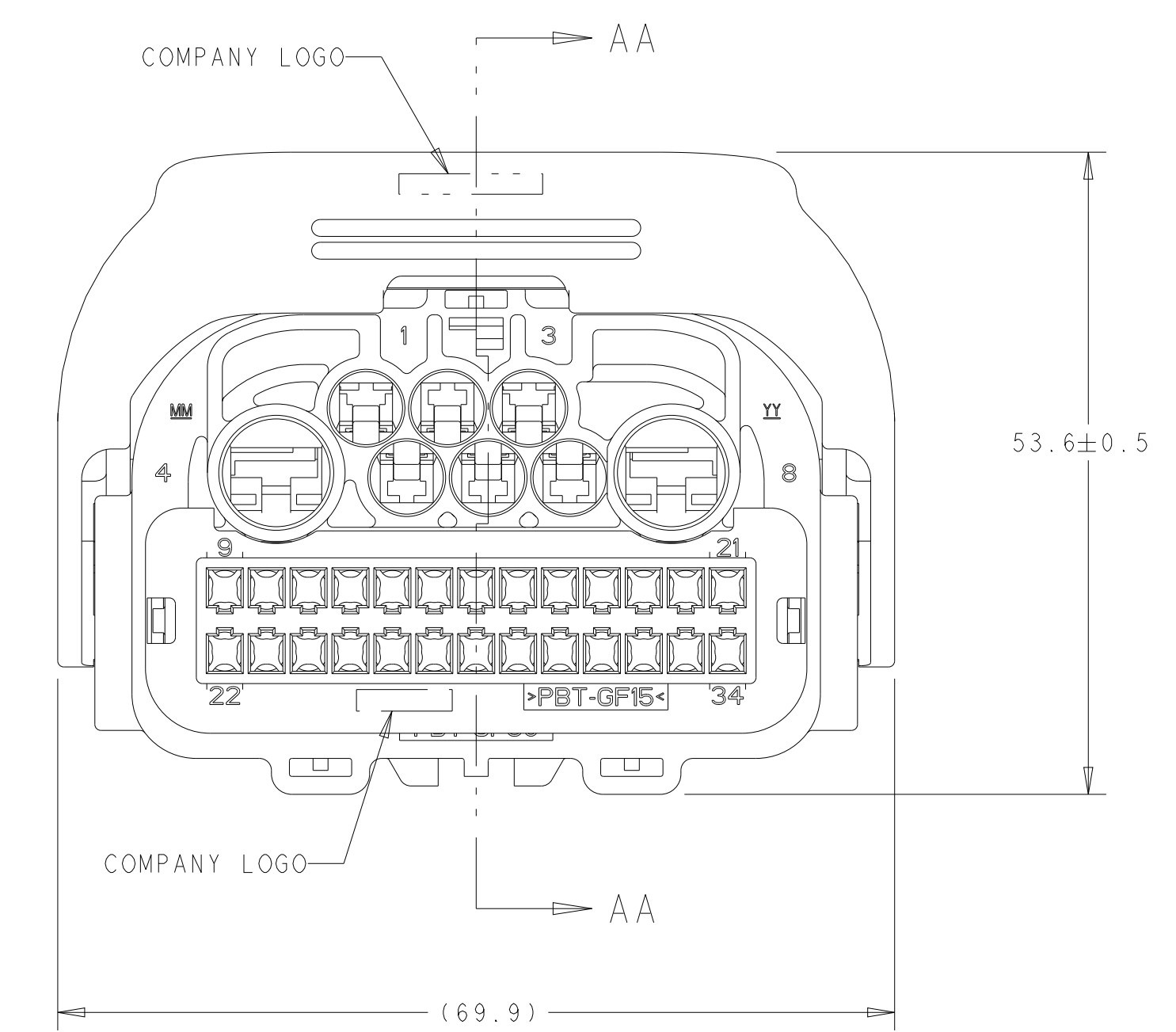


LIST OF PARTS								
QTY. REQUIRED			ITEM	DESCRIPTION	COLOR	MATERIAL SPECIFICATION	RECYCLING CODE	WEIGHT (GRAM)
INDEX C	INDEX B	INDEX A						
-	-	1	1	HOUSING, KEYING OPTION "A"	BLACK	30% GF PBT	>PBT-GF30<	41.4g
-	1	-	1	HOUSING, KEYING OPTION "B"	GRAY	30% GF PBT	>PBT-GF30<	41.4g
1	-	-	1	HOUSING, KEYING OPTION "C"	NATURAL	30% GF PBT	>PBT-GF30<	41.4g
1	1	1	2	TPA	RED	15% GF PBT	>PBT-GF15<	4.9g
1	1	1	3	LEVER	GRAY	33% GF NYLON	>PA66-GF33<	6.2g
1	1	1	4	END SEAL COVER	BLACK	15% GF PBT	>PBT-GF15<	4.2g
1	1	1	5	END SEAL GROMMET	LT BLUE	SILICON	>VMO<	2.4g
1	1	1	6	RING SEAL	BLUE	SILICON	>VMO<	1.1g



SECTION AA-AA  
 TPA AND LEVER SHOWN IN PRE-SEATED POSITION



REVISIONS				
REV	LTN	DESCRIPTION	DATE	APPD
J20		REVISED PER ECO-19-005953	22APR2019	JMS HC
J21		REVISED PER ECO-19-019125	17DEC2019	CN HC
J22		REVISED PER ECO-20-012737	14SEP2020	AP GR
J23		REVISED PER ECN-21-124941	16NOV2021	CN HC

- PART MUST CONFORM TO THE USCAR-2 SPECIFICATION, DATED 07/DEC/00 (REVISION 3).
  - 0.2mm MAXIMUM RADIUS PERMISSIBLE ON EDGES AND FILLETS SHOWN AS SHARP FOR PLASTIC PARTS.
  - PRODUCTION DATE CODE (YYDD) AND ASSEMBLY PART NUMBER (LAST 3 DIGITS OF FORD/JLR PN ACCEPTABLE) MUST BE LEGIBLE AND PERMANENTLY APPLIED WHEREVER PACKAGE SIZE PERMITS OR OTHER AGREEMENTS ARE MADE.  
  
 PRODUCTION DATE CODE AND PINOUT ID CODE MUST BE LEGIBLE AND PERMANENTLY APPLIED WHEREVER PACKAGE SIZE PERMITS OR OTHER AGREEMENTS ARE MADE.
  - MATES WITH ASSEMBLY SHOWN ON DRAWING 1587042.
- SEE TYCO ELECTRONICS (TE) INSTRUCTION SHEET 408-8911 FOR PROPER POSITIONING OF TPA AND TE INSTRUCTION SHEET 408-8832 FOR APPLICATION USE OF CONNECTOR SYSTEM.
- OBSOLETE PART

APPLICABLE COMPONENTS (FOR REFERENCE ONLY)				APPLICABLE WIRE SIZES (FOR REFERENCE ONLY)†	COMPONENT MATING PART NUMBER
DESCRIPTION	COLOR/PLATING	SUPPLIER	SUPPLIER PART NUMBER		
TERMINAL - FEMALE 1.5mm	TIN	MOLEX	33012-0002	16-20 AWG OR METRIC EQUIVALENT	33000-0002
TERMINAL - FEMALE 2.8mm	TIN	TYCO	1326032-2	20 AWG OR METRIC EQUIVALENT	1326031-2
TERMINAL - FEMALE 2.8mm	TIN	TYCO	1326032-3	18 AWG OR METRIC EQUIVALENT	1326031-3
TERMINAL - FEMALE 2.8mm	TIN	TYCO	1326032-4	16 AWG OR METRIC EQUIVALENT	1326031-4
TERMINAL - FEMALE 2.8mm	TIN	TYCO	1326032-5	14 AWG OR METRIC EQUIVALENT	1326031-5
TERMINAL - FEMALE 2.8mm	TIN	TYCO	1326032-6	12 AWG OR METRIC EQUIVALENT	1-1326031-1
CABLE SEAL - 2.8mm	GREEN	YAZAKI	7158-3111-60	1.2-1.9mm WIRE O.D.	N/A
CABLE SEAL - 2.8mm	YELLOW	YAZAKI	7158-3112-70	1.8-2.3mm WIRE O.D.	N/A
CABLE SEAL - 2.8mm	WHITE	YAZAKI	7158-3113-40	2.1-3.0mm WIRE O.D.	N/A
CABLE SEAL - 2.8mm	LT GRAY	YAZAKI	7158-3110-40	3.1-3.3mm WIRE O.D.	N/A
TERMINAL - FEMALE 6.3mm	TIN	YAZAKI	7116-4140-02	20-16 AWG OR METRIC EQUIVALENT	7114-4140-02
TERMINAL - FEMALE 6.3mm	TIN	YAZAKI	7116-4141-02	14 AWG OR METRIC EQUIVALENT	7114-4141-02
CABLE SEAL - 6.3mm	RED	YAZAKI	7158-3081-50	1.4-2.3mm WIRE O.D.	N/A
CABLE SEAL - 6.3mm	BLUE	YAZAKI	7158-3082-90	2.1-3.0mm WIRE O.D.	N/A
CABLE SEAL - 6.3mm	BLACK	YAZAKI	7158-3083	3.0-3.8mm WIRE O.D.	N/A
ANTI-ROTATION CLIP	NATURAL	TRW	PC47597-1	N/A	N/A

NOTE: SEE SUPPLIER DRAWINGS FOR LATEST INFORMATION AND CRIMP SPECIFICATIONS.

THIS DRAWING IS A CONTROLLED DOCUMENT. DATE: 15APR2003. DRAWN BY: M. SOCHI. CHECKED BY: J. DEWILDE. APPROVED BY: J. DEWILDE. DATE: 16JUL2003.

TE Connectivity

34 WAY, SEALED HYBRID, FEMALE PLUG ASSEMBLY

SCALE: 2:1. SHEET 1 OF 5. REV: 23

REVISIONS				
REV	DATE	DESCRIPTION	BY	APPD
-	-	SEE SHEET 1	-	-

FEMALE HOUSING ASSEMBLY  
SCALE 2X

INDEX A

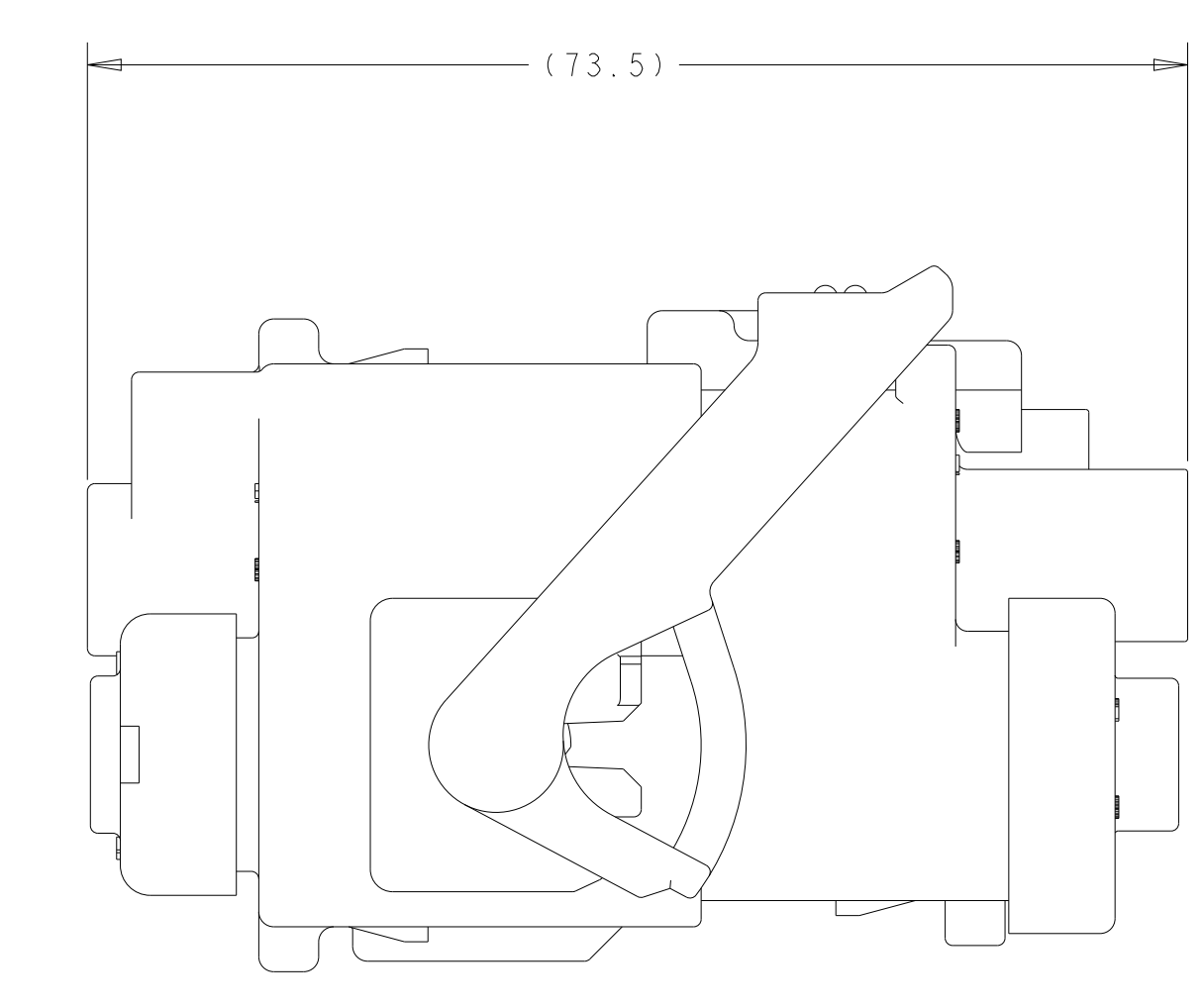
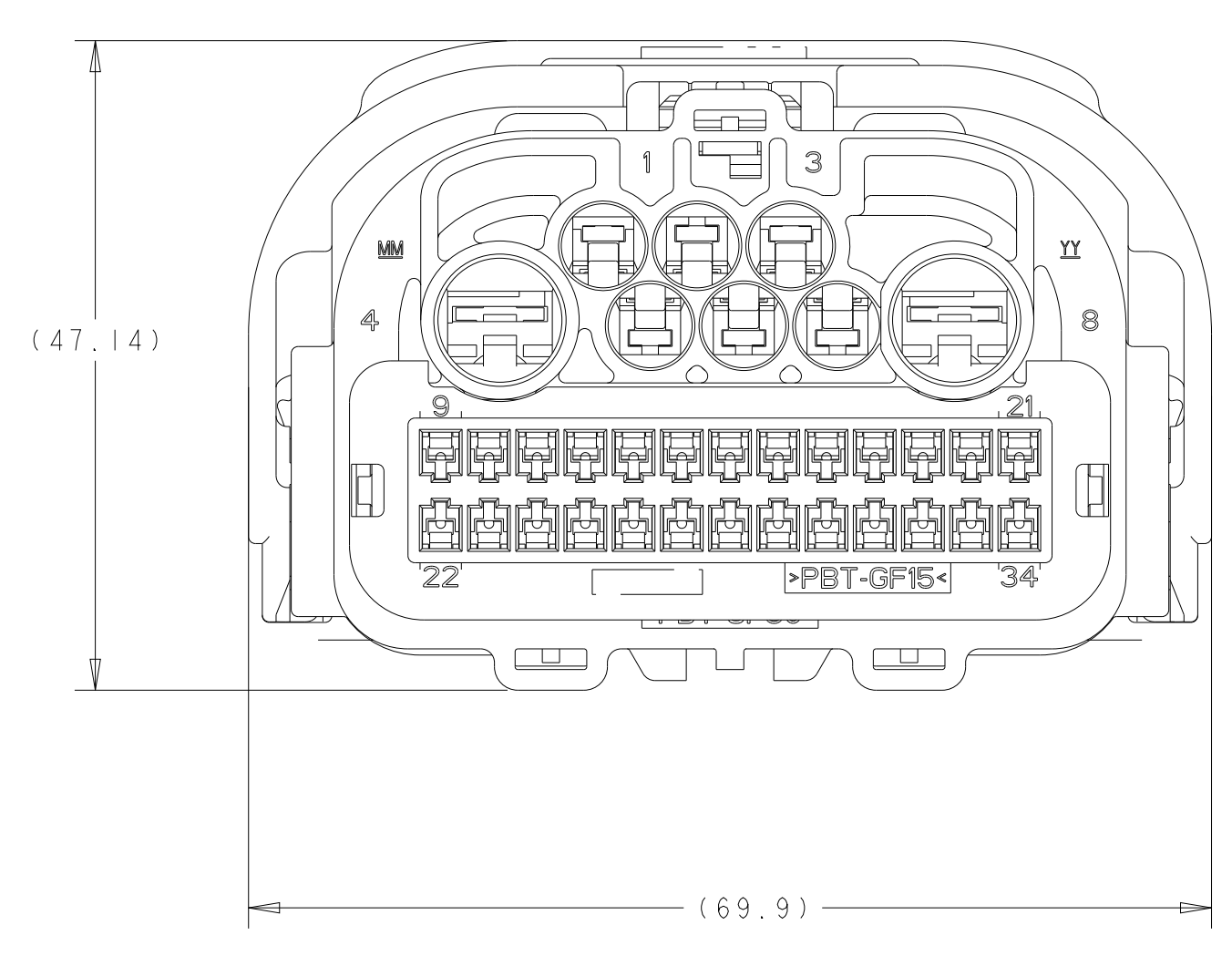
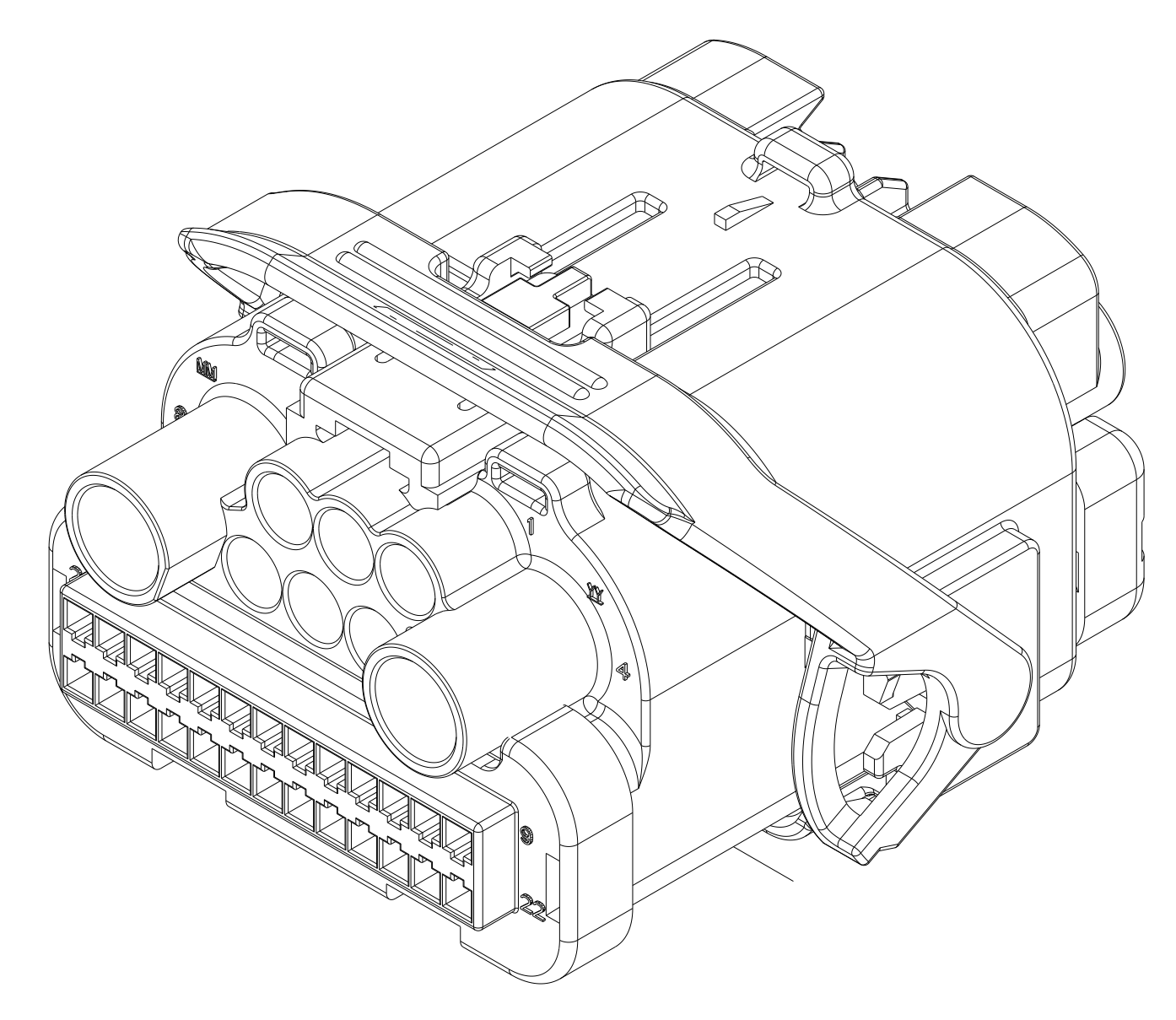
(TPA NOT SHOWN)

INDEX B

(TPA NOT SHOWN)

INDEX C

(TPA NOT SHOWN)



MATED ASSEMBLY  
SCALE 2X

THIS DRAWING IS A CONTROLLED DOCUMENT.		DAY: 15APR2003	REV: 1	DATE: 10JUN2003	BY: M. SOOCH	APPD: T. DEWILDE	NAME: 34 WAY, SEALED HYBRID, FEMALE PLUG ASSEMBLY	SCALE: NTS	SHEET: 2	OF: 5	REV: 123
DIMENSIONS:	UNLESS OTHERWISE SPECIFIED:	0 PLC	AS 3	1 PLC	AS 3	2 PLC	AS 1	3 PLC	AS 1	4 PLC	AS 1
MATERIAL:	FINISH:	WEIGHT:	ANGLE:	CUSTOMER DRAWING	SCALE: NTS	SHEET: 2	OF: 5	REV: 123			

REV	DATE	BY	DESCRIPTION
1			SEE SHEET 1

INDEX A (BLACK)

TE CONNECTIVITY ASSEMBLY NUMBER		FORD PART NUMBER		JLR PART NUMBER		PINOUT ID CODE			
3-1924225-1	SC31-1AA66-CA-091	...	...	...	...	...	...	...	...
3-1924225-0	SC31-1AA66-CA-090	...	...	...	...	...	...	...	...
2-1924225-9	SC31-1AA66-CA-089	...	...	...	...	...	...	...	...
2-1924225-8	SC31-1AA66-CA-088	...	...	...	...	...	...	...	...
2-1924225-7	SC31-1AA66-CA-087	...	...	...	...	...	...	...	...
2-1924225-6	SC31-1AA66-CA-086	...	...	...	...	...	...	...	...
2-1924225-5	SC31-1AA66-CA-085	...	...	...	...	...	...	...	...
2-1924225-4	SC31-1AA66-CA-084	...	...	...	...	...	...	...	...
2-1924225-3	SC31-1AA66-CA-083	...	...	...	...	...	...	...	...
2-1924225-2	SC31-1AA66-CA-082	...	...	...	...	...	...	...	...
2-1924225-1	SC31-1AA66-CA-081	...	...	...	...	...	...	...	...
2-1924225-0	SC31-1AA66-CA-080	...	...	...	...	...	...	...	...
1-1924225-9	SC31-1AA66-CA-079	...	...	...	...	...	...	...	...
1-1924225-8	SC31-1AA66-CA-078	...	...	...	...	...	...	...	...
1-1924225-7	SC31-1AA66-CA-077	...	...	...	...	...	...	...	...
1-1924225-6	SC31-1AA66-CA-076	...	...	...	...	...	...	...	...
1-1924225-5	SC31-1AA66-CA-075	...	...	...	...	...	...	...	...
1-1924225-4	SC31-1AA66-CA-074	...	...	...	...	...	...	...	...
1-1924225-3	SC31-1AA66-CA-073	...	...	...	...	...	...	...	...
1-1924225-2	SC31-1AA66-CA-072	...	...	...	...	...	...	...	...
1-1924225-1	SC31-1AA66-CA-071	...	...	...	...	...	...	...	...
1-1924225-0	SC31-1AA66-CA-070	...	...	...	...	...	...	...	...
0-1924225-9	SC31-1AA66-CA-069	...	...	...	...	...	...	...	...
0-1924225-8	SC31-1AA66-CA-068	...	...	...	...	...	...	...	...
0-1924225-7	SC31-1AA66-CA-067	...	...	...	...	...	...	...	...
0-1924225-6	SC31-1AA66-CA-066	...	...	...	...	...	...	...	...
0-1924225-5	SC31-1AA66-CA-065	...	...	...	...	...	...	...	...
0-1924225-4	SC31-1AA66-CA-064	...	...	...	...	...	...	...	...
0-1924225-3	SC31-1AA66-CA-063	...	...	...	...	...	...	...	...
0-1924225-2	SC31-1AA66-CA-062	...	...	...	...	...	...	...	...
0-1924225-1	SC31-1AA66-CA-061	...	...	...	...	...	...	...	...
0-1924225-0	SC31-1AA66-CA-060	...	...	...	...	...	...	...	...
9-1587041-8	SC31-1AA66-CA-059	...	...	...	...	...	...	...	...
9-1587041-7	SC31-1AA66-CA-058	...	...	...	...	...	...	...	...
9-1587041-6	SC31-1AA66-CA-057	...	...	...	...	...	...	...	...
9-1587041-5	SC31-1AA66-CA-056	...	...	...	...	...	...	...	...
9-1587041-4	SC31-1AA66-CA-055	...	...	...	...	...	...	...	...
9-1587041-3	SC31-1AA66-CA-054	...	...	...	...	...	...	...	...
9-1587041-2	SC31-1AA66-CA-053	...	...	...	...	...	...	...	...
9-1587041-1	SC31-1AA66-CA-052	...	...	...	...	...	...	...	...
9-1587041-0	SC31-1AA66-CA-051	...	...	...	...	...	...	...	...
8-1587041-9	SC31-1AA66-CA-050	...	...	...	...	...	...	...	...
8-1587041-8	SC31-1AA66-CA-049	...	...	...	...	...	...	...	...
8-1587041-7	SC31-1AA66-CA-048	...	...	...	...	...	...	...	...
8-1587041-6	SC31-1AA66-CA-047	...	...	...	...	...	...	...	...
8-1587041-5	SC31-1AA66-CA-046	...	...	...	...	...	...	...	...
8-1587041-4	SC31-1AA66-CA-045	...	...	...	...	...	...	...	...
8-1587041-3	SC31-1AA66-CA-044	...	...	...	...	...	...	...	...
8-1587041-2	SC31-1AA66-CA-043	...	...	...	...	...	...	...	...
8-1587041-1	SC31-1AA66-CA-042	...	...	...	...	...	...	...	...
8-1587041-0	SC31-1AA66-CA-041	...	...	...	...	...	...	...	...
4-1587041-9	SC31-1AA66-CA-040	...	...	...	...	...	...	...	...
4-1587041-8	SC31-1AA66-CA-039	...	...	...	...	...	...	...	...
4-1587041-7	SC31-1AA66-CA-038	...	...	...	...	...	...	...	...
4-1587041-6	SC31-1AA66-CA-037	...	...	...	...	...	...	...	...
4-1587041-5	SC31-1AA66-CA-036	...	...	...	...	...	...	...	...
4-1587041-4	SC31-1AA66-CA-035	...	...	...	...	...	...	...	...
4-1587041-3	SC31-1AA66-CA-034	...	...	...	...	...	...	...	...
4-1587041-2	SC31-1AA66-CA-033	...	...	...	...	...	...	...	...
4-1587041-1	SC31-1AA66-CA-032	...	...	...	...	...	...	...	...
4-1587041-0	SC31-1AA66-CA-031	...	...	...	...	...	...	...	...
3-1587041-9	SC31-1AA66-CA-030	...	...	...	...	...	...	...	...
3-1587041-8	SC31-1AA66-CA-029	...	...	...	...	...	...	...	...
3-1587041-7	SC31-1AA66-CA-028	...	...	...	...	...	...	...	...
3-1587041-6	SC31-1AA66-CA-027	...	...	...	...	...	...	...	...
3-1587041-5	SC31-1AA66-CA-026	...	...	...	...	...	...	...	...
3-1587041-4	SC31-1AA66-CA-025	...	...	...	...	...	...	...	...
3-1587041-3	SC31-1AA66-CA-024	...	...	...	...	...	...	...	...
3-1587041-2	SC31-1AA66-CA-023	...	...	...	...	...	...	...	...
3-1587041-1	SC31-1AA66-CA-022	...	...	...	...	...	...	...	...
3-1587041-0	SC31-1AA66-CA-021	...	...	...	...	...	...	...	...
2-1587041-9	SC31-1AA66-CA-020	...	...	...	...	...	...	...	...
2-1587041-8	SC31-1AA66-CA-019	...	...	...	...	...	...	...	...
2-1587041-7	SC31-1AA66-CA-018	...	...	...	...	...	...	...	...
2-1587041-6	SC31-1AA66-CA-017	...	...	...	...	...	...	...	...
2-1587041-5	SC31-1AA66-CA-016	...	...	...	...	...	...	...	...
2-1587041-4	SC31-1AA66-CA-015	...	...	...	...	...	...	...	...
2-1587041-3	SC31-1AA66-CA-014	...	...	...	...	...	...	...	...
2-1587041-2	SC31-1AA66-CA-013	...	...	...	...	...	...	...	...
2-1587041-1	SC31-1AA66-CA-012	...	...	...	...	...	...	...	...
2-1587041-0	SC31-1AA66-CA-011	...	...	...	...	...	...	...	...
1-1587041-9	SC31-1AA66-CA-010	...	...	...	...	...	...	...	...
1-1587041-8	SC31-1AA66-CA-009	...	...	...	...	...	...	...	...
1-1587041-7	SC31-1AA66-CA-008	...	...	...	...	...	...	...	...
1-1587041-6	SC31-1AA66-CA-007	...	...	...	...	...	...	...	...
1-1587041-5	SC31-1AA66-CA-006	...	...	...	...	...	...	...	...
1-1587041-4	SC31-1AA66-CA-005	...	...	...	...	...	...	...	...
1-1587041-3	SC31-1AA66-CA-004	...	...	...	...	...	...	...	...
1-1587041-2	SC31-1AA66-CA-003	...	...	...	...	...	...	...	...
1-1587041-1	SC31-1AA66-CA-002	...	...	...	...	...	...	...	...
1-1587041-0	SC31-1AA66-CA-001	...	...	...	...	...	...	...	...
0-1587041-1	SC31-1AA66-CA-000	...	...	...	...	...	...	...	...

TERMINAL HOLE POSITION  
 CAVITIES WITH A NUMERIC SYMBOL INDICATE  
 CLOSED TERMINAL LOCATIONS.  
 BLANK CAVITIES INDICATE  
 OPEN TERMINAL HOLE LOCATIONS.

PIN OUT CHART

THIS DRAWING IS A CONTROLLED DOCUMENT. DATE: 15APR2003. BY: M. SOOCH. APPROVED: J. DENLITE. 16JUL2003. DIMENSIONS: (mm). MATERIAL: PFC. FINISH: .05. WEIGHT: .03. CUSTOMER DRAWING. DIMENSIONS: .05. MATERIAL: PFC. FINISH: .05. WEIGHT: .03. CUSTOMER DRAWING.

**STE** TE Connectivity

34 WAY, SEALED HYBRID, FEMALE PLUG ASSEMBLY

SCALE: 2:1 SHEET 3 OF 5 REV: 123

REVISIONS			
P	LV	DESCRIPTION	DATE
-	-	SEE SHEET 1	-

INDEX A (BLACK)				
TE CONNECTIVITY ASSEMBLY NUMBER	FORD PART NUMBER	JLR PART NUMBER	PINOUT ID CODE	
3-1924225-2	5C3T-1A464-CA-092	...	...	1
3-1924225-3	5C3T-1A464-CA-093	...	...	2
3-1924225-4	5C3T-1A464-CA-094	...	...	2
3-1924225-5	5C3T-1A464-CA-095	...	...	3
3-1924225-6	5C3T-1A464-CA-096	...	...	3
3-1924225-7	5C3T-1A464-CA-097	...	...	3
3-1924225-8	5C3T-1A464-CA-098	...	...	3
3-1924225-9	5C3T-1A464-CA-099	...	...	3
3-1924225-10	5C3T-1A464-CA-100	...	...	3
4-1924225-1	5C3T-1A464-CA-101	...	...	3
4-1924225-2	5C3T-1A464-CA-102	...	...	3
4-1924225-3	5C3T-1A464-CA-103	...	...	3
4-1924225-4	5C3T-1A464-CA-104	...	...	3
4-1924225-5	5C3T-1A464-CA-105	...	...	3
4-1924225-6	5C3T-1A464-CA-106	...	...	3
4-1924225-7	5C3T-1A464-CA-107	...	...	3
4-1924225-8	...	AH2T-1A464-BA-108	...	3
4-1924225-9	...	GHCT-1A464-DA4-109	...	3
5-1924225-0	...	GHCT-1A464-DA4-110	...	3
5-1924225-1	...	GHCT-1A464-DA4-111	...	3
5-1924225-2	5C3T-1A464-CA-108	...	...	3
5-1924225-3	5C3T-1A464-CA-109	...	...	3
5-1924225-4	5C3T-1A464-CA-110	...	...	3
5-1924225-5	5C3T-1A464-CA-111	...	...	3
5-1924225-6	5C3T-1A464-CA-112	...	...	3
5-1924225-7	5C3T-1A464-CA-113	...	...	3
5-1924225-8	5C3T-1A464-CA-114	...	...	3
5-1924225-9	...	CHCT-1A464-BNA	...	3
6-1924225-0	...	CHCT-1A464-BSA	...	3
6-1924225-1	...	CHCT-1A464-BRA	...	3
6-1924225-2	...	CHCT-1A464-BPA	...	3
6-1924225-3	5C3T-1A464-CA-115	...	...	3
6-1924225-4	5C3T-1A464-CA-116	...	...	3
6-1924225-5	5C3T-1A464-CA-117	...	...	3
6-1924225-6	5C3T-1A464-CA-118	...	...	3
6-1924225-7	5C3T-1A464-CA-119	...	...	3
6-1924225-8	5C3T-1A464-CA-120	...	...	3
6-1924225-9	...	GHCT-1A464-DA4-129	...	3
7-1924225-0	...	GHCT-1A464-DA4-130	...	3
7-1924225-1	...	GHCT-1A464-DA4-131	...	3
7-1924225-2	...	GHCT-1A464-DA4-132	...	3
7-1924225-3	...	GHCT-1A464-DA4-133	...	3
7-1924225-4	...	GHCT-1A464-DA4-134	...	3
7-1924225-5	...	GHCT-1A464-DA4-135	...	3
7-1924225-6	...	GHCT-1A464-DA4-136	...	3
7-1924225-7	...	GHCT-1A464-DA4-137	...	3
7-1924225-8	...	GHCT-1A464-DA4-138	...	3
7-1924225-9	...	GHCT-1A464-DA4-139	...	3
8-1924225-0	...	MHCT-1A464-BSA	...	3

TERMINAL HOLE POSITION  
 CAVITIES WITH A NUMERIC SYMBOL INDICATE  
 CLOSED TERMINAL LOCATIONS  
 BLANK CAVITIES INDICATE  
 OPEN TERMINAL HOLE LOCATIONS  
**PIN OUT CHART**

THIS DRAWING IS A CONTROLLED DOCUMENT. DATE: 15APR2003. DRAWN BY: W. SOCH. CHECKED BY: M. DEWILDE. APPROVED BY: M. DEWILDE. DATE: 10JUN2003. PROJECT: 34 WAY, SEALED HYBRID, FEMALE PLUG ASSEMBLY. APPLICATION SPEC: ... MATERIAL: ... FINISH: ... WEIGHT: ... SCALE: 2:1 SHEET 4 OF 5 REV 123

