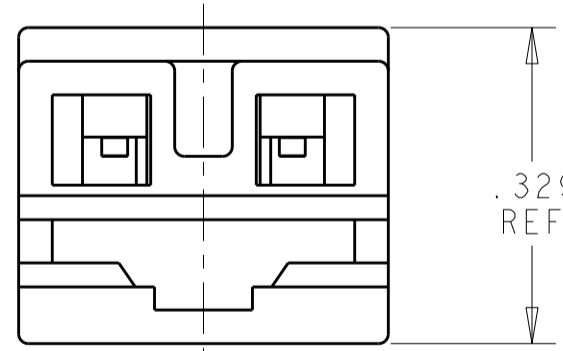
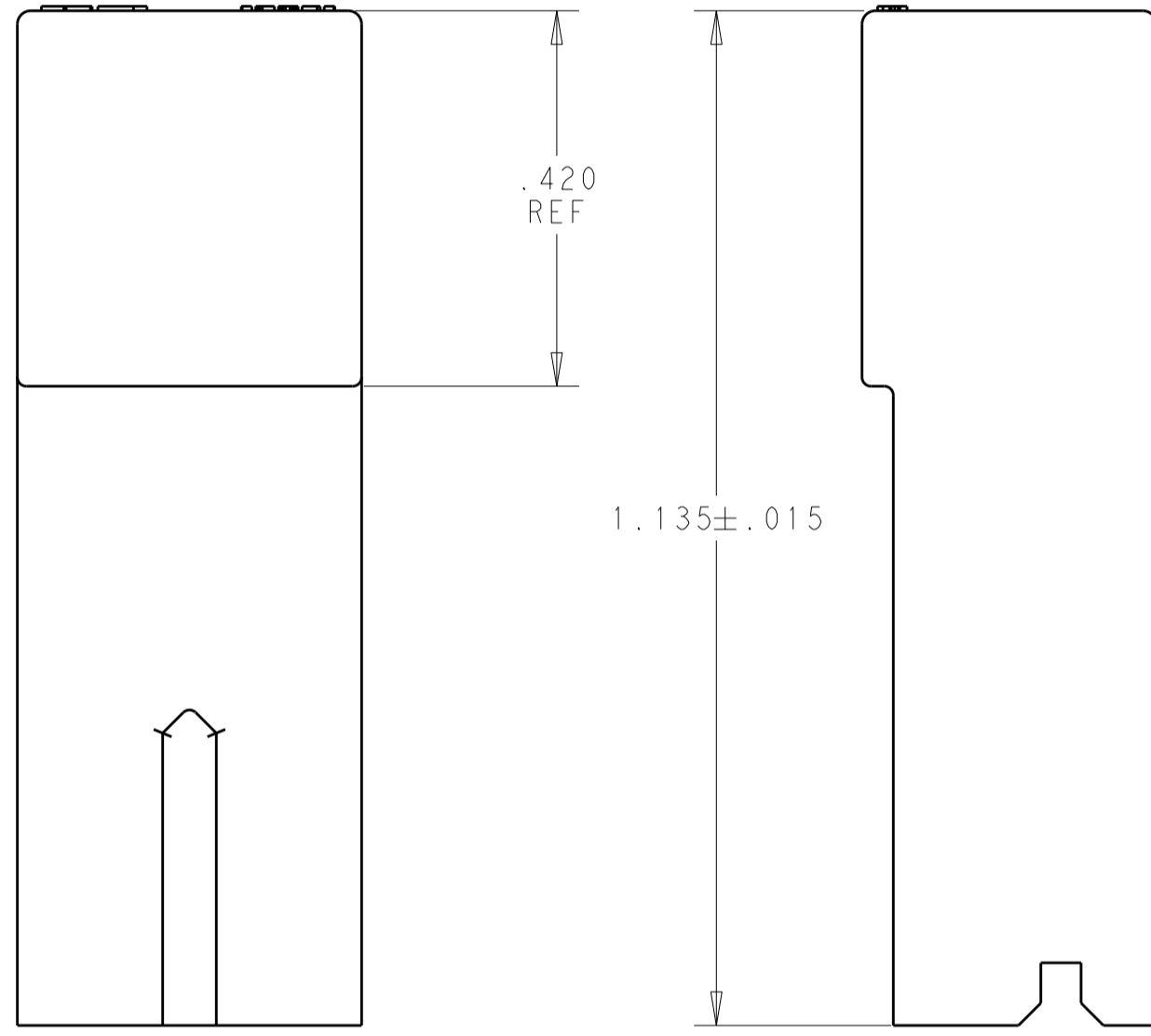
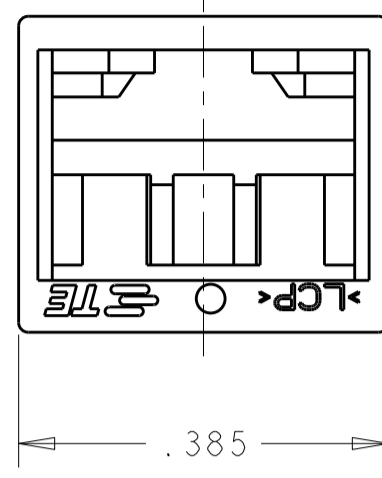
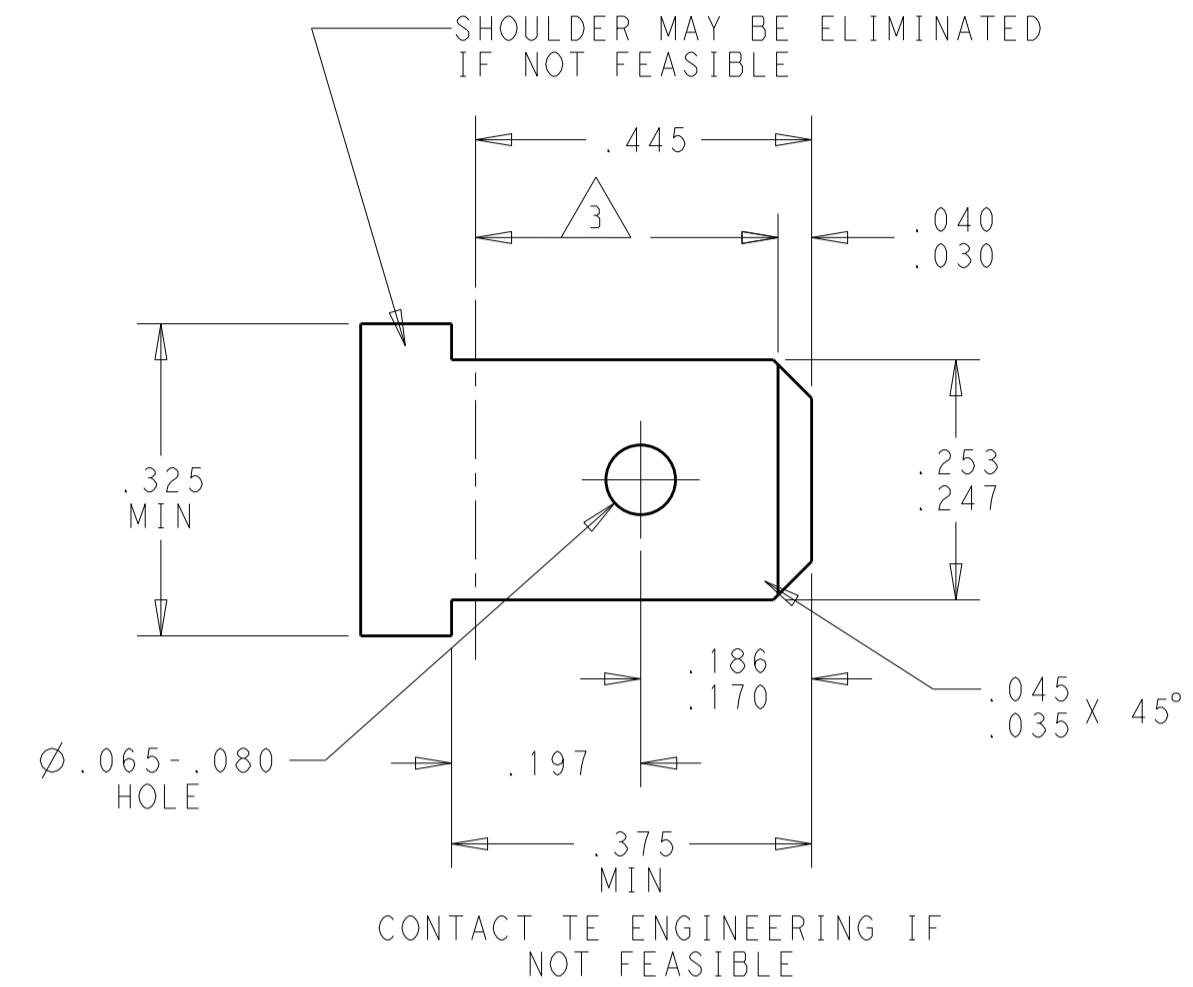


THIS DRAWING IS UNPUBLISHED. RELEASED FOR PUBLICATION 20
 © COPYRIGHT 20 BY - ALL RIGHTS RESERVED.

REVISIONS				
P	LTR	DESCRIPTION	DATE	APVD
	A1	REVISED PER ECR-17-006852	23MAY2017	BW MD

SUGGESTED MATING TAB



1 FOR USE WITH MKII POSITIVE LOCK TERMINALS 2825084, 2238104 AND 2238139

- 1 MATERIAL: 1/2 H BRASS OR NICKEL PL STEEL.
- 2 NO BURRS PERMISSIBLE AT HOLE.
- 3 MUST BE FLAT WITHIN 0.076[.003] OVER THIS LENGTH.
- 4 TIN PLATING IS REQUIRED ON BRASS WHEN TERMINAL TEMP. IS OVER 225°F
- 5 HOLE MUST BE SYMMETRICAL ABOUT TAB C WITHIN 0.076[.003]
* TO BE USED ONLY WHEN SHOULDER IS ELIMINATED.

LCP	1969820-1
MATERIAL	PART NUMBER

THIS DRAWING IS A CONTROLLED DOCUMENT.		DWN 12JAN2016 BASVESH WARAD	STE TE Connectivity	
DIMENSIONS: INCHES		CHK 12JAN2016 DIDONATO, MICHAEL		
TOLERANCES UNLESS OTHERWISE SPECIFIED:		APVD 12JAN2016 DIDONATO, MICHAEL	NAME HIGH TEMP HOUSING POSITIVE LOCK MARK II	
0 PLC ±-	1 PLC ±-	PRODUCT SPEC 108-143022	SIZE A2	CAGE CODE -
2 PLC ±-	3 PLC ±.010	APPLICATION SPEC -	DRAWING NO 1969820	RESTRICTED TO -
4 PLC ±-	ANGLES ±-	WEIGHT -	SCALE 5:1 SHEET 1 OF 1 REV A1	
MATERIAL LCP	FINISH -	CUSTOMER DRAWING		