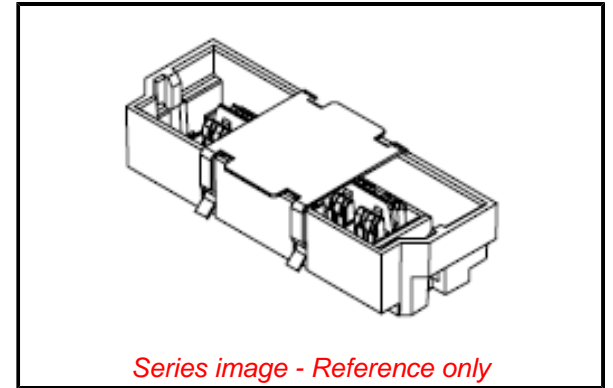


PLEASE CHECK WWW.MOLEX.COM FOR LATEST PART INFORMATION

Part Number: **0750050004**
Status: **Active**
Overview: Plateau HS Mezz™
Description: 1.20mm Pitch Plateau HS Mezz™ Receptacle, 4.50mm Unmated Height, 24 Circuits

Documents:

3D Model	Packaging Specification PK-75005-001 (PDF)
Drawing (PDF)	Packaging Specification PK-75005-003 (PDF)
Product Specification PS-75005-001-001 (PDF)	Test Summary TS-75005-001-001 (PDF)
Product Specification PS-75005-002-001 (PDF)	RoHS Certificate of Compliance (PDF)
Application Specification AS-75005-001-001 (PDF)	



Agency Certification

CSA	LR19980
UL	E29179

General

Product Family	PCB Receptacles
Series	75005
Application	Board-to-Board, Signal
Overview	Plateau HS Mezz™
Product Name	Plateau HS Mezz™
UPC	756054569764

Physical

Circuits (Loaded)	24
Circuits (maximum)	24
Color - Resin	Black
Durability (mating cycles max)	25
Flammability	94V-0
Glow-Wire Compliant	No
Material - Metal	High Performance Alloy (HPA)
Material - Plating Mating	Gold
Material - Plating Termination	Tin
Material - Resin	High Temperature Thermoplastic
Net Weight	1.955/g
Number of Rows	2
Orientation	Vertical
PCB Locator	Yes
PCB Retention	Yes
Packaging Type	Embossed Tape on Reel
Pitch - Mating Interface	1.20mm, 3.51mm
Plating min - Mating	0.762µm
Plating min - Termination	3.810µm
Polarized to PCB	Yes
Surface Mount Compatible (SMC)	N/A
Temperature Range - Operating	-20°C to +85°C
Termination Interface: Style	Surface Mount
Unmated Height	4.50mm

Electrical

Current - Maximum per Contact	1.5A
Voltage - Maximum	30V

Solder Process Data

Lead-free Process Capability	REFLOW
Process Temperature max. C	260

EU ELV

Not Relevant

EU RoHS

Not Reviewed

REACH SVHC

Not Reviewed

Halogen-Free

Status

Not Reviewed

Need more information on product environmental compliance?

Email productcompliance@molex.com
Please visit the [Contact Us](#) section for any non-product compliance questions.

China ROHS	Not Reviewed
ELV	Not Relevant
RoHS Phthalates	Not Reviewed

Search Parts in this Series

[75005 Series](#)

Mates With

1.20mm Pitch Plateau HS Mezz™ Receptacle [75003](#)

Material Info

Reference - Drawing Numbers

Application Specification	AS-75005-001-001
Packaging Specification	PK-75005-001, PK-75005-003
Product Specification	PS-75005-001-001, PS-75005-002-001
Sales Drawing	SD-75005-001
Test Summary	TS-75005-001-001

This document was generated on 11/22/2016

PLEASE CHECK WWW.MOLEX.COM FOR LATEST PART INFORMATION