



ANATECH ELECTRONICS INC
RF & Microwave Filters & Products

45 MHz LC Bandpass Filter

Part Number: AE45B5019



Electrical Specifications

Center Frequency: 45 MHz
3-dB Passband: 31 MHz to 59 MHz
Insertion Loss: <2dB @ 40 MHz
Ripple: 0.2dB
Rejection: >60dB @ 0-24 MHz
Rejection2: >60dB @ 66 MHz to 200 MHz
Impedance: 50 Ohms

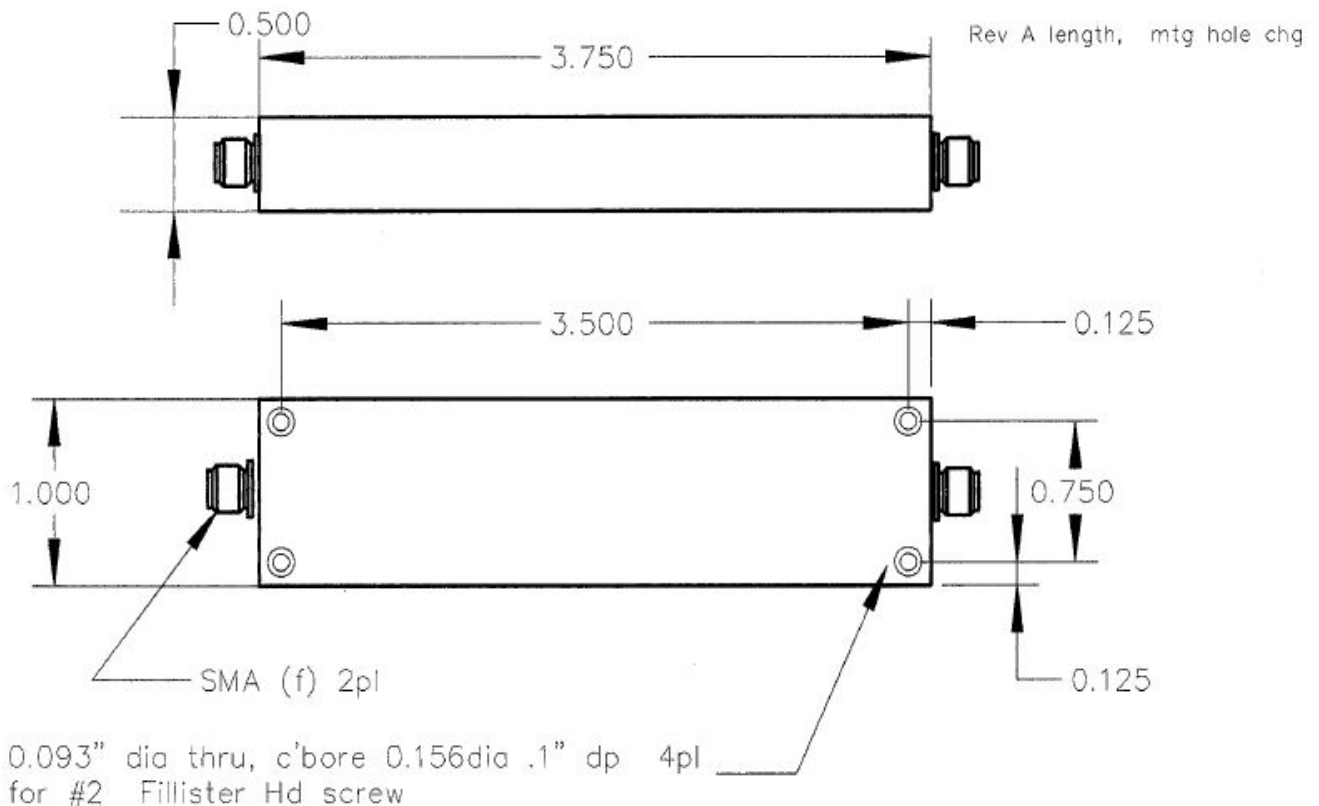
Mechanical

Mounting Method: Through Holes
Connector Type: SMA(F)
Dimensions: 3.75" x 1.0" x 0.5" in.

Environmental

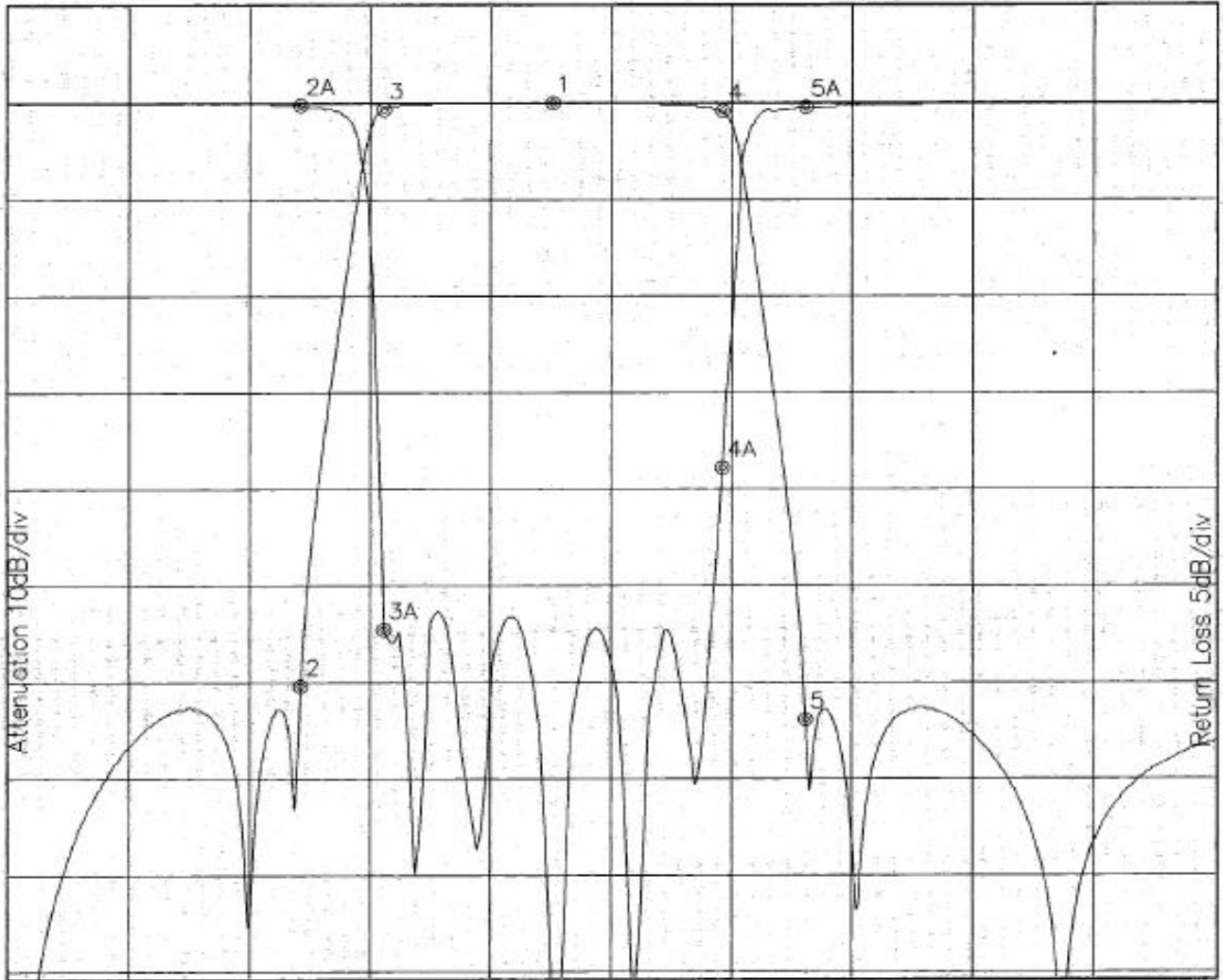
Operating Temperature: -25°C to +70°C
Storage Temperature: -40°C to +90°C
Shock: 10 G. 11ms
Vibration: 10 G. 5 to 200Hz

Outline Drawing:





Response Plot:



Attenuation Start: 0.010Hz Stop: 100.0MHz

Return Loss Start: 0.010Hz Stop: 100.0MHz

Offset -0.4347dB

Marker 1	Freq 45.073MHz	Atten 0.052dB
Marker 2	Freq 24.071MHz	Atten -60.504dB
Marker 3	Freq 31.018MHz	Atten -0.633dB
Marker 4	Freq 59.128MHz	Atten -0.926dB
Marker 5	Freq 66.074MHz	Atten -63.824dB

Marker 1A	Freq 45.073MHz	Ret Loss -47.738dB
Marker 2A	Freq 24.071MHz	Ret Loss -0.158dB
Marker 3A	Freq 31.018MHz	Ret Loss -27.249dB
Marker 4A	Freq 59.128MHz	Ret Loss -18.896dB
Marker 5A	Freq 66.074MHz	Ret Loss -0.231dB