



159 Ort Lane  
Merlin, OR, US 97532  
Phone: + 1 541 471 6256  
Fax: + 1 541 471 6251  
[www.linxtechnologies.com](http://www.linxtechnologies.com)

Feb 26, 2018

To: All customers using the ANT-DB1-LP-RM-01-N Antenna

Re: Product Change Notice

Dear customer,

LinX Technologies is announcing a change to the mounting hardware for the ANT-DB1-LP-RM-01-N antenna.

The product is mechanically identical to, and offers equivalent electrical performance, as the previous version of the product. The manufacturing change made is the addition of four slots equally spaced around the mounting holes to provide additional mounting options.

We are committed to working closely with our customers during the transition to address any questions or concerns. Please do not hesitate to contact us if you have any questions regarding this matter.

## Product Change Notice for ANT-DB1-LP-RM-01-N

PCN #: LPCN-180226-1

Publish Date: Feb 26, 2018

### Type of Change

Mounting hardware change for ANT-DB1-LP-RM-01-N

### Products Affected

- ANT-DB1-LP-RM-01-N

### Description of Change

The addition of slots to the mounting holes of the ANT-DB1-LP-RN-01-N antenna hardware has been implemented. The added slots in the mounting hardware are illustrated in Figure 2 below.

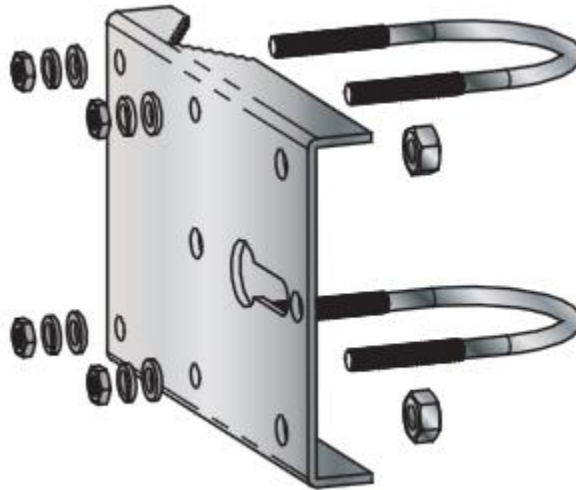


Figure 1: ANT-DB1-LP-RM-01-N mounting hardware without slots

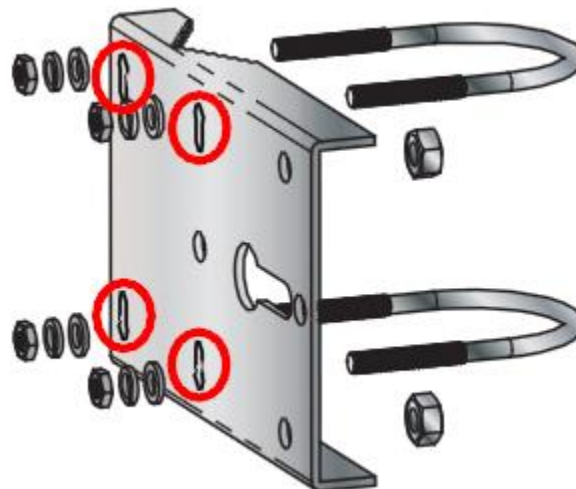


Figure 2: ANT-DB1-LP-RM-01-N mounting hardware with added slots



159 Ort Lane  
Merlin, OR, US 97532  
Phone: + 1 541 471 6256  
Fax: + 1 541 471 6251  
[www.linxtechnologies.com](http://www.linxtechnologies.com)

### **Reason for Change**

Addition of mounting options for antenna

### **Effect of Change**

Form: Slots added to mounting holes

Fit: Addition mounting options

Function: No change

Quality: No change

### **Anticipated First Ship Date**

February 2018

### **Qualification Data**

Qualification plan specifics are not for general release. Please contact Linx directly for additional information.

### **Last Time Buy Date**

No formal last time buy date is established. Product with slots added to mounting holes will be supplied as existing inventory depletes.