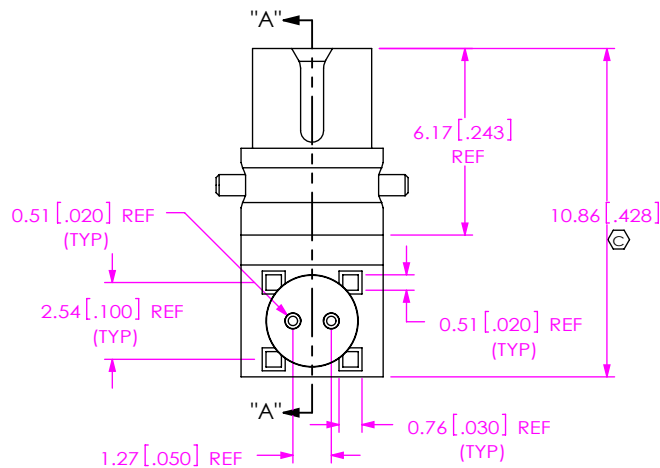
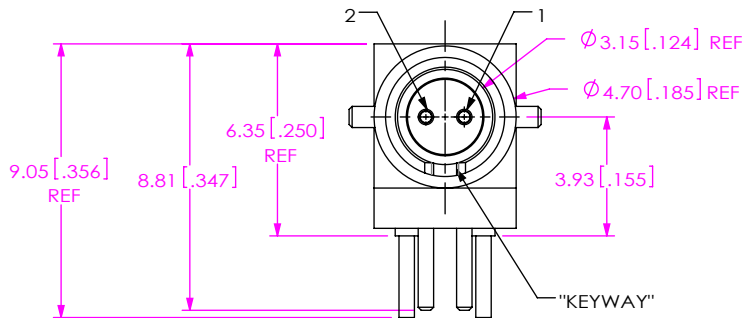


DO NOT
SCALE FROM
THIS PRINT



CJT-T-P-XX-RA-TH1

INTERFACE
-J: JACK

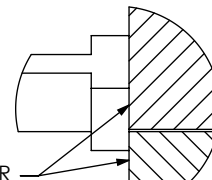
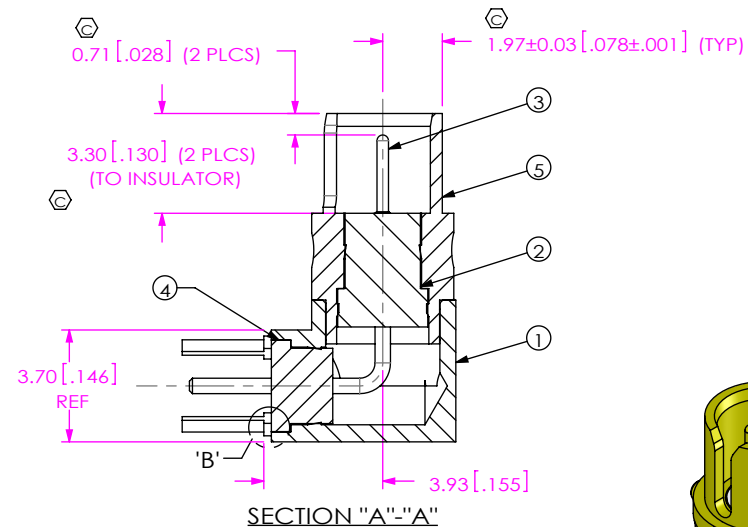
GENDER
-T: TERMINAL

TYPE
-P: PCB

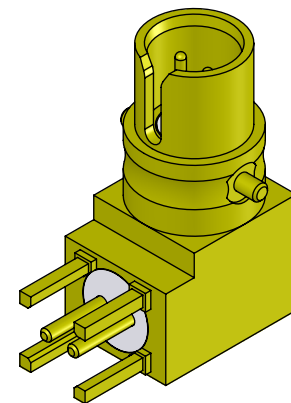
TERMINATION
-TH1: THROUGH HOLE

ORIENTATION
-RA: RIGHT ANGLE

PLATING SPECIFICATION
-HH: HEAVY GOLD / HEAVY GOLD
30 μ " Au / 50 μ " Ni MIN ON PIN
30 μ " Au / 50 μ " Ni MIN ON OUTER CONTACT
-GF: GOLD / FLASH GOLD
10 μ " Au / 50 μ " Ni MIN ON PIN
3 μ " Au / 50 μ " Ni MIN ON OUTER CONTACT
(SEE TABLE 1)



SCALE 20 : 1



ITEM	COMPONENT	-HH	-GF	QTY
1	BODY	CJT-BDY-001-F		1
2	INSULATOR 1	CJT-INS-001		1
3	CONTACT	CJT-T-P-H-RA-TH1-PIN	CJT-T-P-G-RA-TH1-PIN	2
4	INSULATOR 2	CJT-INS-002		1
5	SHELL	CJT-T-P-H-RA-TH1-SHL	CJT-T-P-F-RA-TH1-SHL	1

NOTES:

1. \varnothing REPRESENTS A CRITICAL DIMENSION.
2. MINIMUM PUSHOUT FORCE FOR CENTER CONTACT: 10 N [2.25 LB].
INSULATOR: 20 N [4.5 LB].
3. PRODUCT TO BE PACKAGED PER PACKAGING STANDARD CO-HD-WI-3040-M.
TRAY: TY-SMA001-1,
COVER: TY-SMA001-2.

UNLESS OTHERWISE SPECIFIED,
DIMENSIONS ARE IN MILLIMETERS.

TOLERANCES ARE:
 DECIMALS ANGLES
 X.X: ± 0.3 [.01] 5°
 X.XX: ± 0.13 [.005]
 X.XXX: ± 0.051 [.0020]

PROPRIETARY NOTE
 THIS DOCUMENT CONTAINS CONFIDENTIAL AND PROPRIETARY INFORMATION AND ALL DESIGN, MANUFACTURING, REPRODUCTION, USE, PATENT RIGHTS AND SALES RIGHTS ARE EXPRESSLY RESERVED BY SAMTEC, INC. THIS DOCUMENT SHALL NOT BE DISCLOSED, IN WHOLE OR PART, TO ANY UNAUTHORIZED PERSON OR ENTITY NOR REPRODUCED, TRANSFERRED OR INCORPORATED IN ANY OTHER PROJECT IN ANY MANNER WITHOUT THE EXPRESS WRITTEN CONSENT OF SAMTEC, INC.

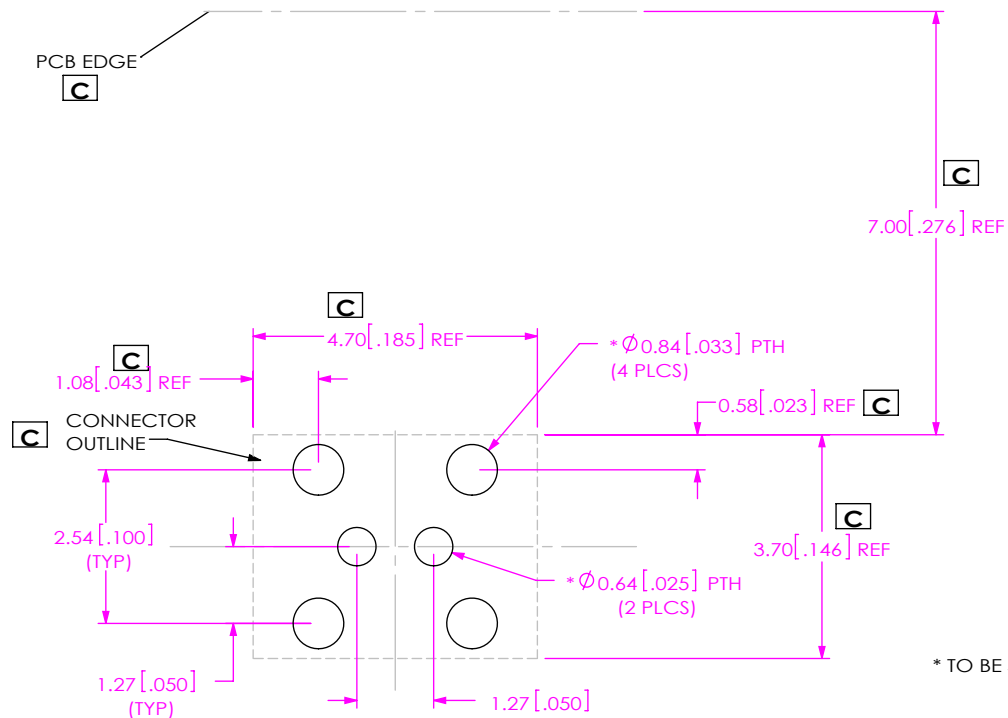
MATERIAL: DO NOT SCALE DRAWING SHEET SCALE: 4:1
CONTACT: PHOS BRONZE
OTHER METAL: BRASS
DIELECTRIC: PTFE

DESCRIPTION:
CIRCULAR TWINAX RIGHT ANGLE JACK

DWG. NO.
CJT-T-P-XX-RA-TH1

BY: ALVIN W 12/01/2010 SHEET 1 OF 2

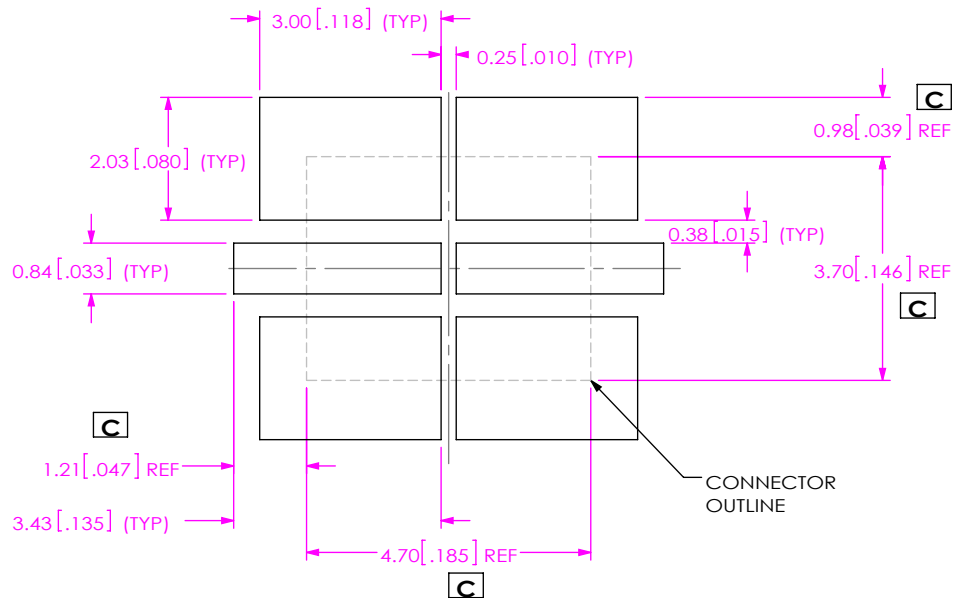
RECOMMENDED PCB LAYOUT



* TO BE SOLDERED USING PASTE-IN-HOLE TECHNOLOGY.

RECOMMENDED STENCIL LAYOUT

NOTE: STENCIL TO BE .152[.0060] THICK



PROPRIETARY NOTE
 THIS DOCUMENT CONTAINS CONFIDENTIAL AND PROPRIETARY INFORMATION AND ALL DESIGN, MANUFACTURING, REPRODUCTION, USE, PATENT RIGHTS AND SALES RIGHTS ARE EXPRESSLY RESERVED BY SAMTEC, INC. THIS DOCUMENT SHALL NOT BE DISCLOSED, IN WHOLE OR PART, TO ANY UNAUTHORIZED PERSON OR ENTITY NOR REPRODUCED, TRANSFERRED OR INCORPORATED IN ANY OTHER PROJECT IN ANY MANNER WITHOUT THE EXPRESS WRITTEN CONSENT OF SAMTEC, INC.

DO NOT SCALE DRAWING

SHEET SCALE: 8:1



520 PARK EAST BLVD, NEW ALBANY, IN 47150
 PHONE: 812-944-6733 FAX: 812-948-5047
 e-Mail info@SAMTEC.com code 55322

DESCRIPTION:
 CIRCULAR TWINAX RIGHT ANGLE JACK

DWG. NO.

CJT-T-P-XX-RA-TH1

BY: ALVIN W 12/01/2010 SHEET 2 OF 2