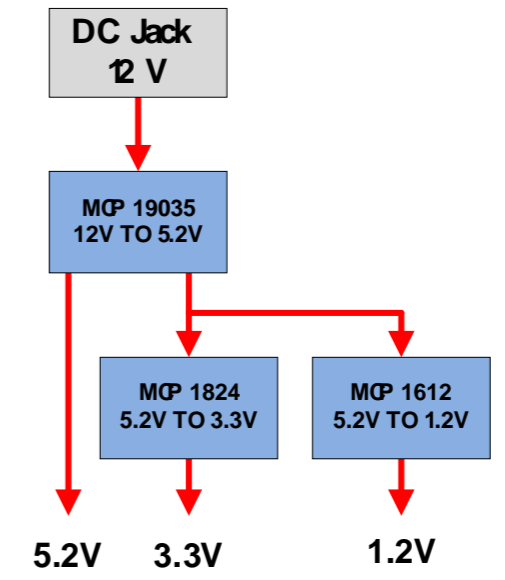
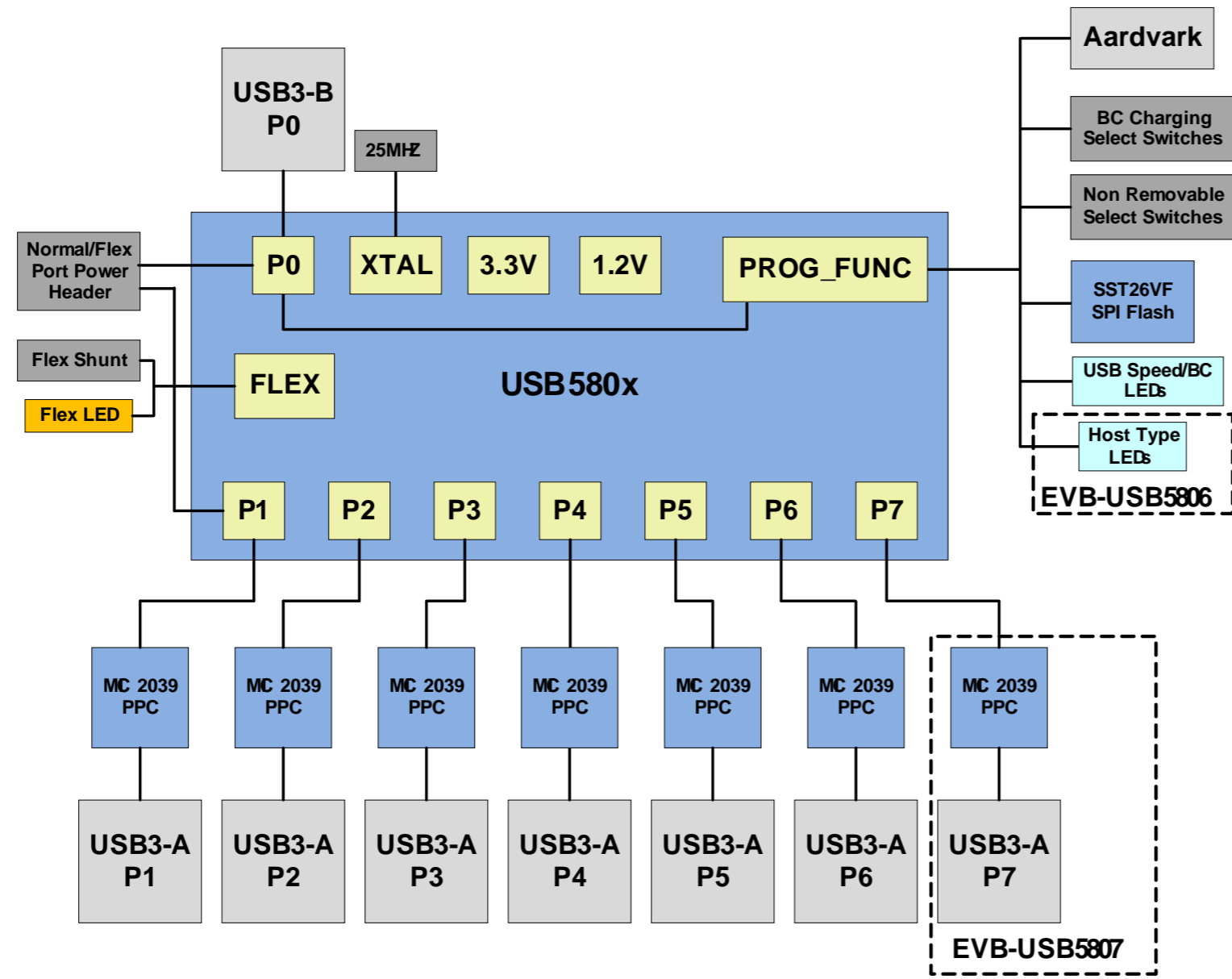


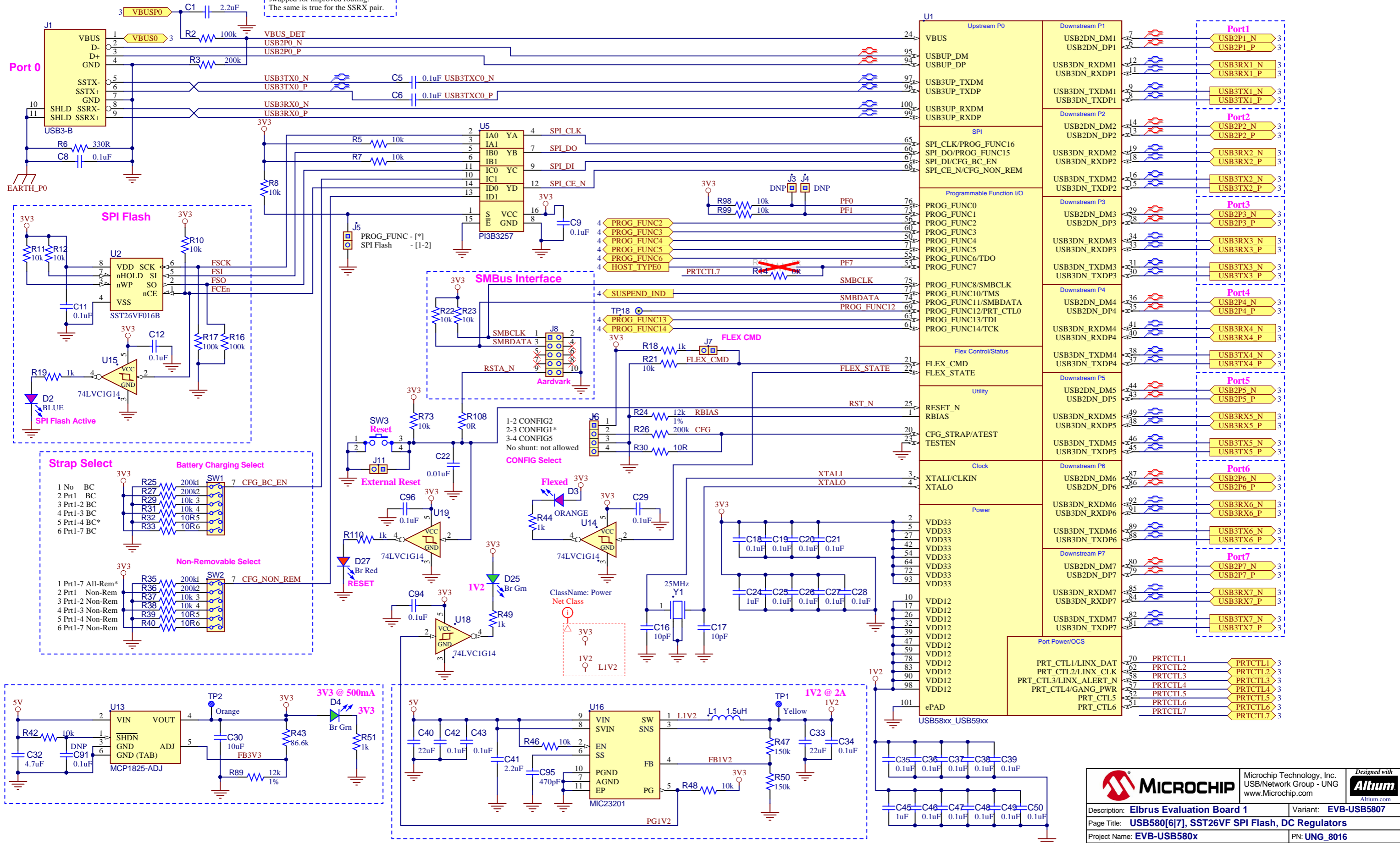
Sheet	Description
1	Table of Contents, Revision History, Block Diagram
2	USB580x, SST26VF SPI Flash, Port Controllers, DC Regulators
3	USB3-A Downstream Ports
4	MCP19035 12V to 5V DC-DC Converter

Revision History			
Revision	Date	Revision Summary	Author
A	02-26-2016	Release to manufacturing	A. Cruz



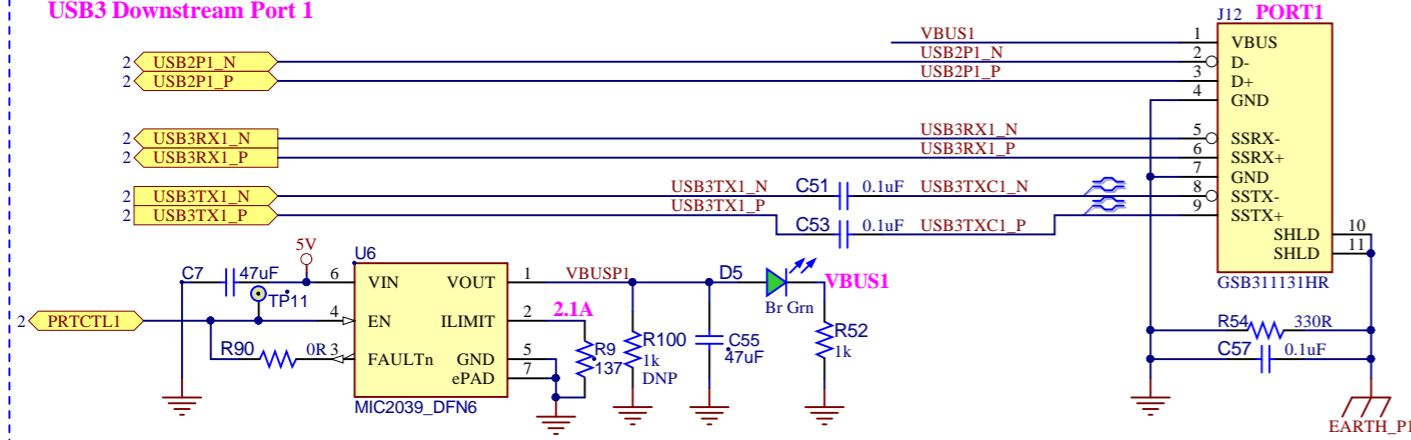
Note:
Default selections are marked with an asterisk [*].

For J1 the SSTX signal pair is polarity swapped for improved routing. The same is true for the SSRX pair.

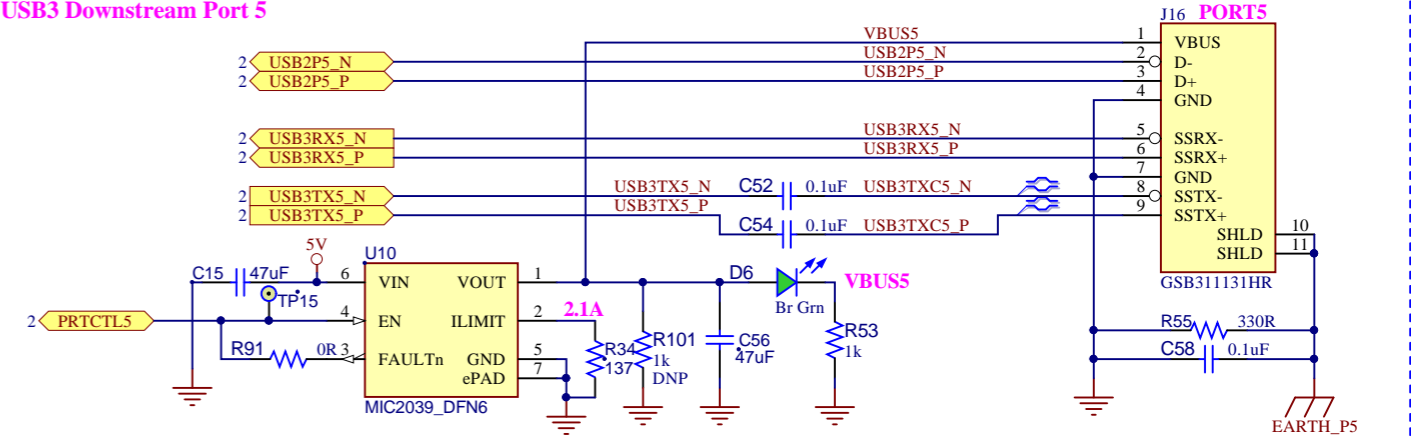


		Microchip Technology, Inc. USB/Network Group - UNG www.Microchip.com		
Description: Elbrus Evaluation Board 1		Variant: EVB-USB5807		
Page Title: USB580[6 7], SST26VF SPI Flash, DC Regulators				
Project Name: EVB-USB580x		PN: UNG_8016		
Size: B	Date: 3/10/2016	Designer: Arnaldo Cruz	Sheet 2 of 4	Rev A

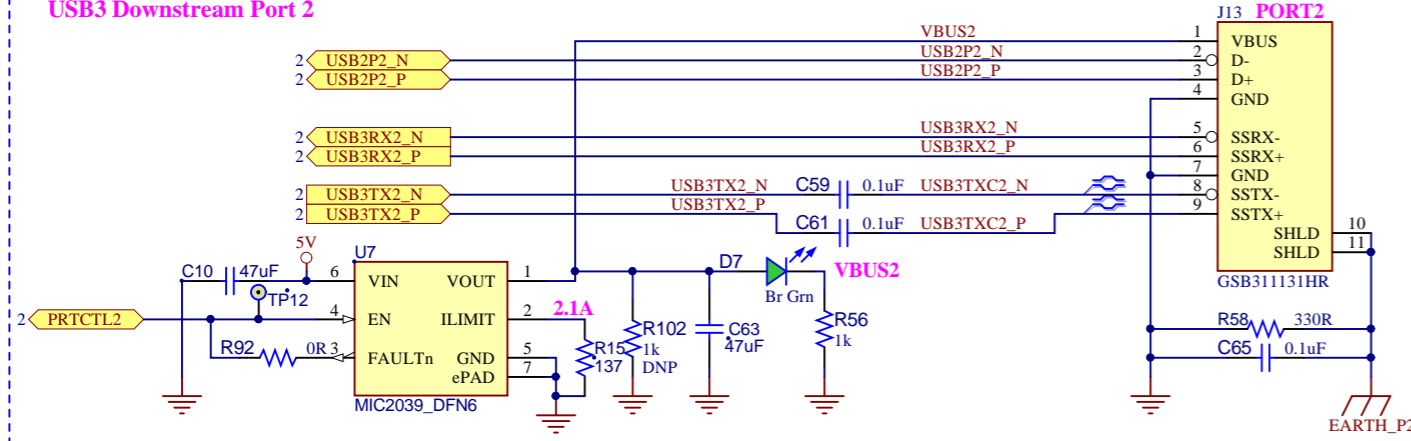
USB3 Downstream Port 1



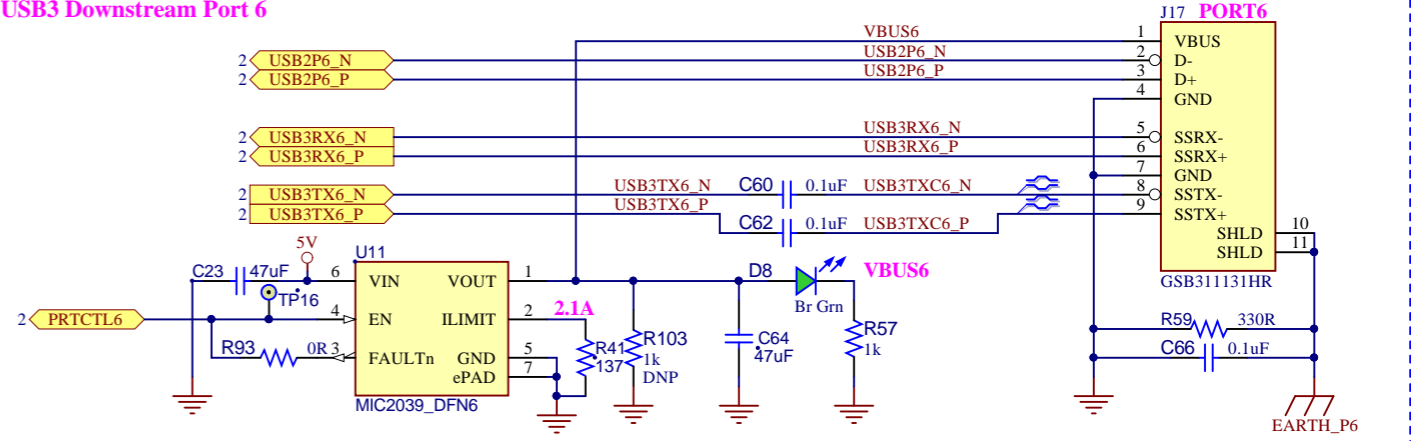
USB3 Downstream Port 5



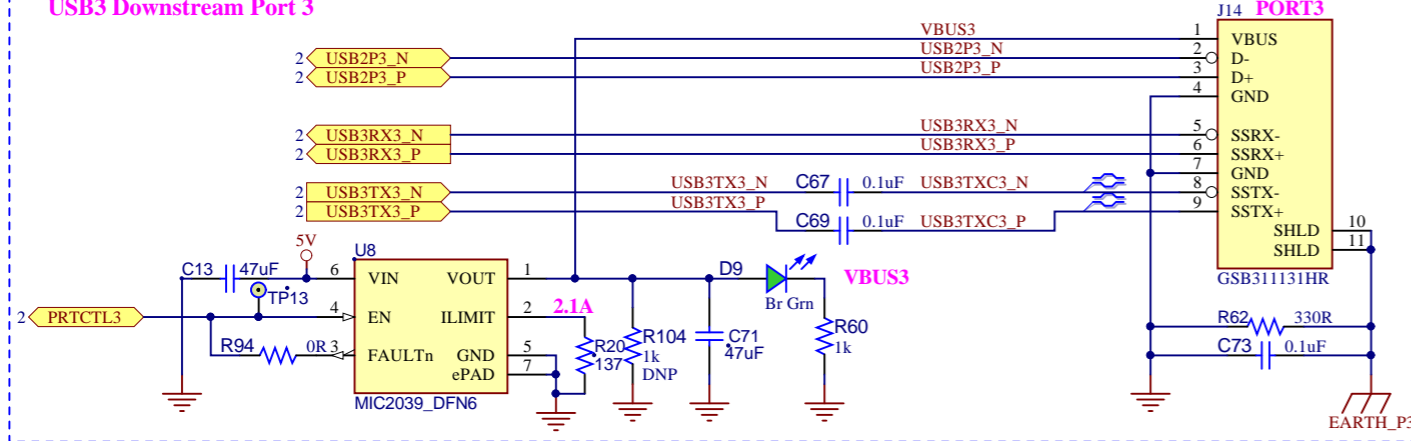
USB3 Downstream Port 2



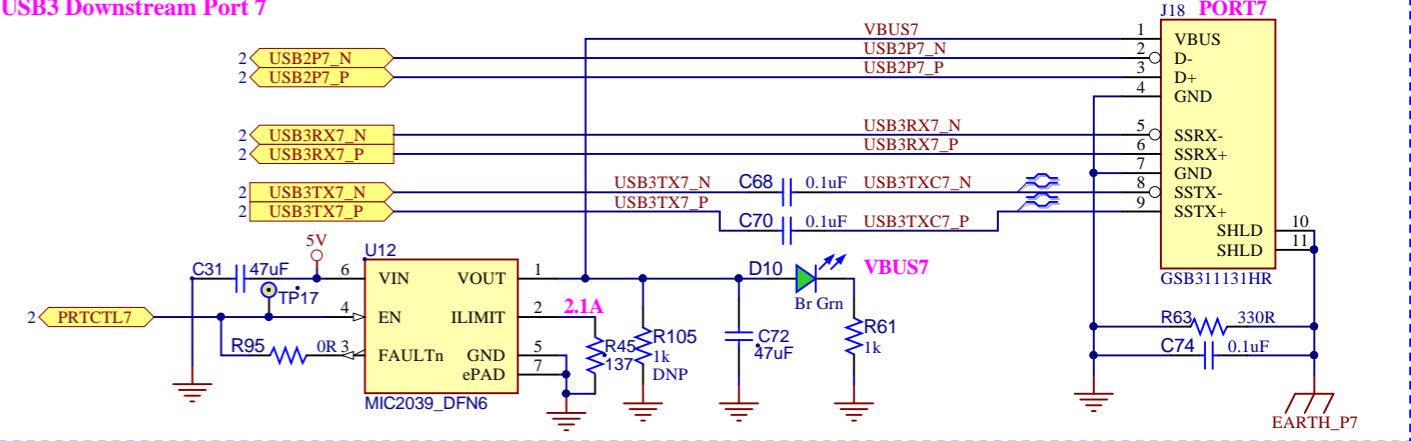
USB3 Downstream Port 6



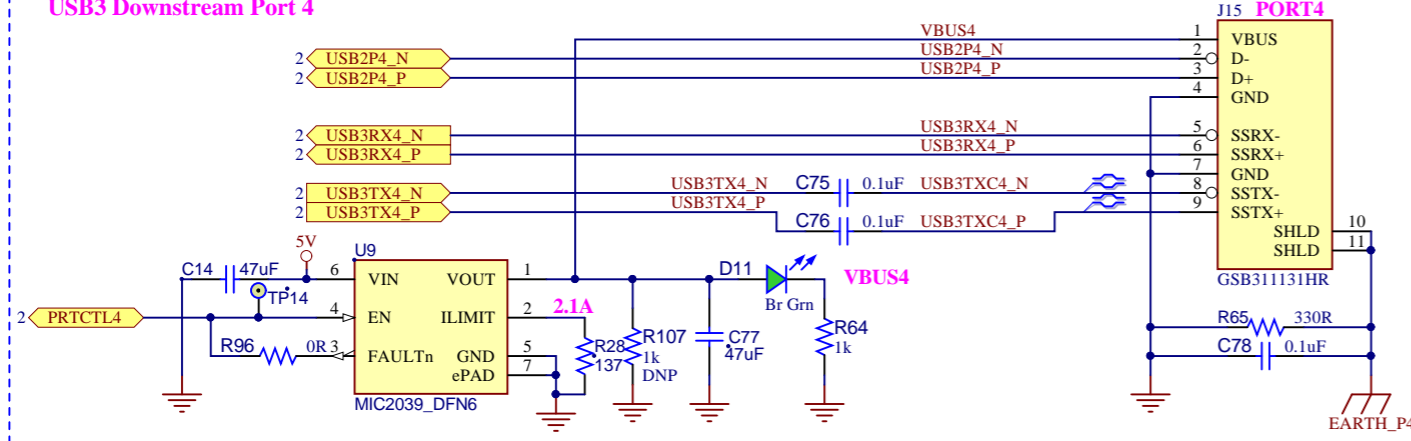
USB3 Downstream Port 3



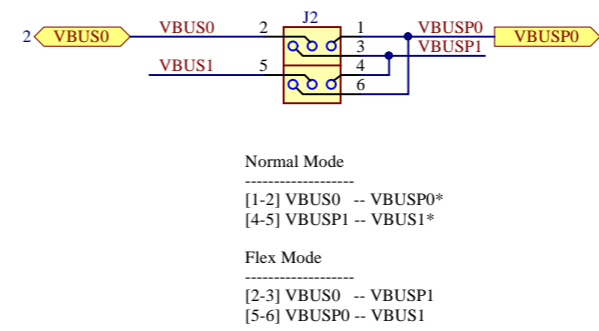
USB3 Downstream Port 7



USB3 Downstream Port 4

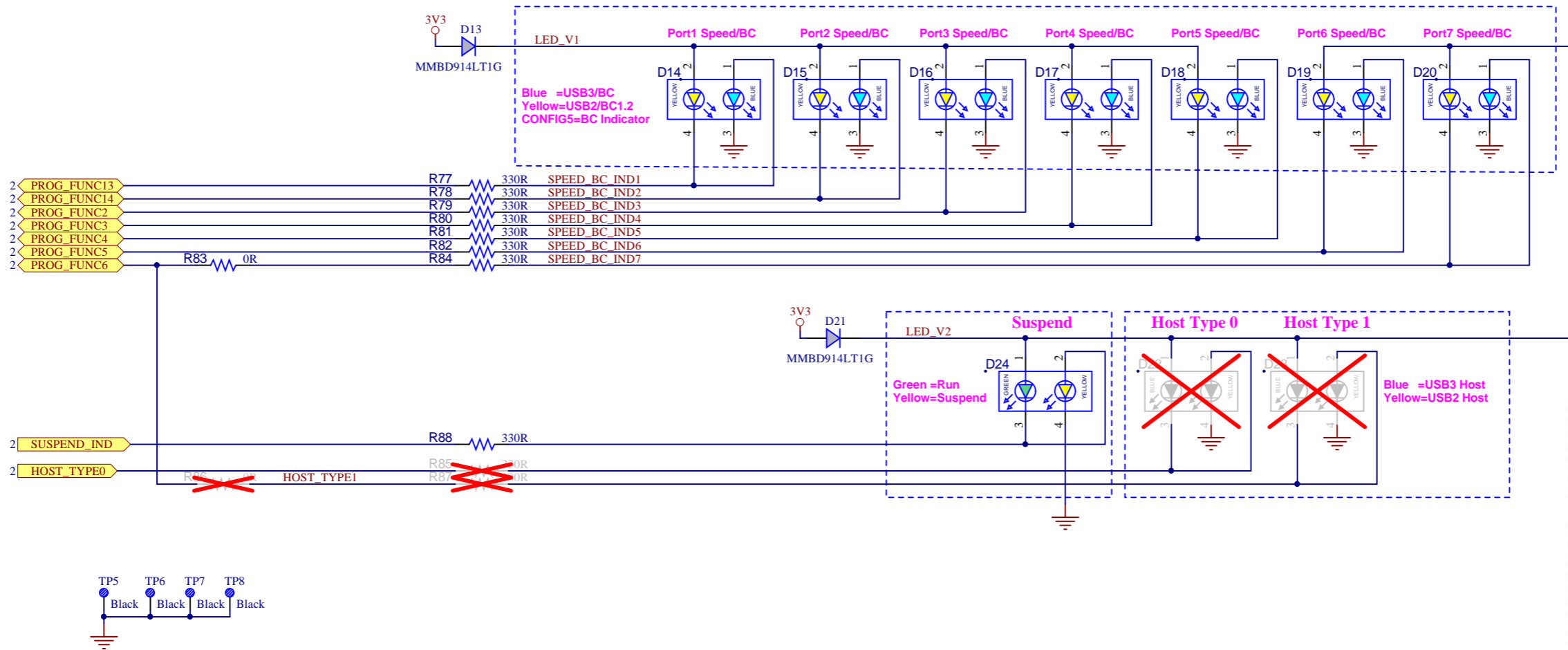
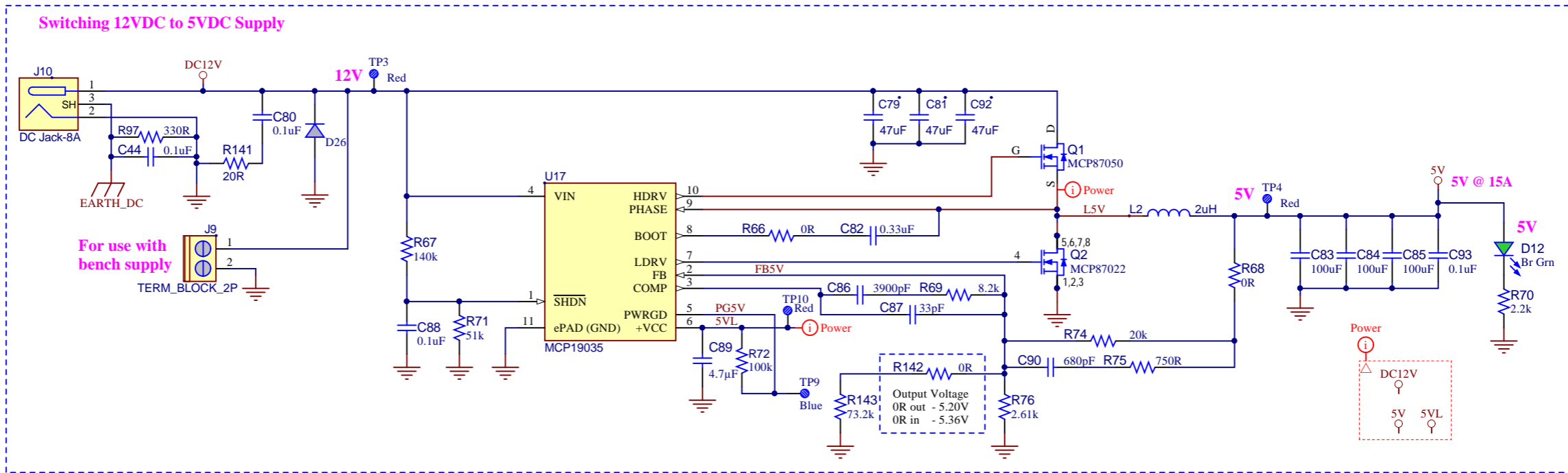


PORT0/PORT1 VBUS -- Normal/Flex Mode



Note:
 Default selections are marked with an asterisk [*].

		Microchip Technology, Inc. USB/Network Group - UNG www.Microchip.com		
Description: Elbrus Evaluation Board 1		Variant: EVB-USB5807		
Page Title: USB3-A Downstream Ports				
Project Name: EVB-USB580x		PN: UNG_8016		
Size: B	Date: 3/10/2016	Designer: Arnaldo Cruz	Sheet 3 of 4	Rev A



		Microchip Technology, Inc. USB/Network Group - UNG www.Microchip.com	Designed with
Description: Elbrus Evaluation Board 1		Variant: EVB-USB5807	
Page Title: 12v to 5V DC supply, BC/Host Type/Suspend LEDs			
Project Name: EVB-USB580x		PN: UNG_8016	
Size: B	Date: 3/10/2016	Designer: Arnaldo Cruz	Sheet 4 of 4 Rev A