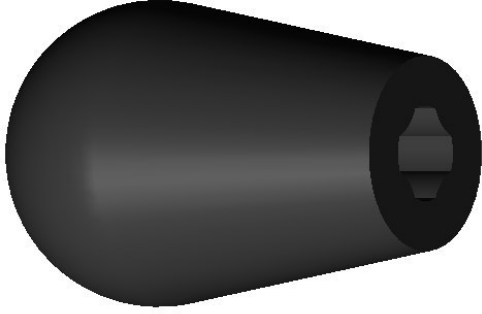
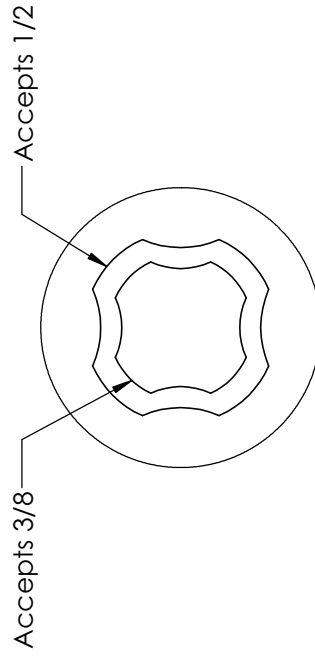
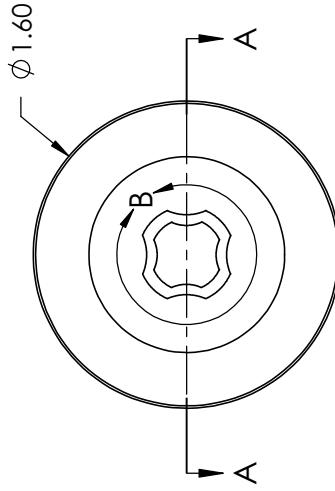


SECTION A-A



DETAIL B
SCALE 2 : 1

REV	BY	DATE	COMMENT	DIMENSIONS ARE IN INCHES TOLERANCES FRACTIONAL \pm TWO PLACE DECIMAL \pm 0.03 THREE PLACE DECIMAL \pm 0.010 UNLESS OTHERWISE NOTED	DRAWN	DHP	INNOVATIVE COMPONENTS
0	DHP	03/26/07	RELEASE DATE		APPROVED	KES	
					DATE	03/26/07	
					COMMENTS		
PROPRIETARY AND CONFIDENTIAL THE INFORMATION CONTAINED IN THIS DRAWING IS THE SOLE PROPERTY OF INNOVATIVE COMPONENTS. ANY REPRODUCTION IN PART OR AS A WHOLE WITHOUT THE WRITTEN PERMISSION OF INNOVATIVE COMPONENTS IS PROHIBITED.				MATERIAL	1.63 Teardrop Knob, Self-Tapping 3/8 & 1/2 threads		
				INSERT	Polypropylene, black		
				FINISH	N/A in.-lbs.		
				PART NUMBER	KN6X-8X-S5-----		
				DRAWING NUMBER	S5		
				SCALE 1:1	SHEET 1 OF 1		